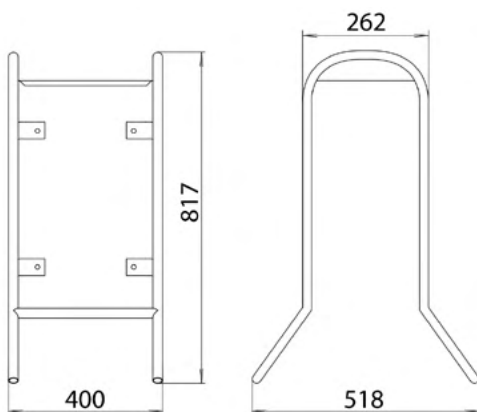
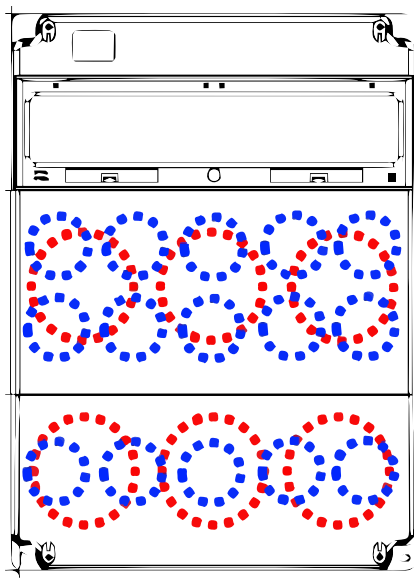


Rack socket assemblies and site switchboards

Site socket switchboards with lockable 63A switch, and rack assemblies without switch. 250V sockets in the top and middle row. In the lower angled part, there are 400V sockets.

- Socket boxes made of highly resistant ABS material with extra thick walls (4mm), IK10
- Self-extinguishing material: 650°C - resistant to overheating and flame
- Protection level IP54 and IP66 available depending on the sockets used
- Preformed holes for glands M25, M32, M40, M50
- M40 gland included
- Connection to terminal strip for cables up to 5x25mm²
- Metal rack with canopy
- Based on your individual requirements, it is possible to make a custom configuration within the limits set by the enclosure



Example: EDS16S RCD 6 /210/3210/0000/

EDS16 □ □ □□/□□□□/□□□□/□□□□/□

- Installation: **S** - with stand
- Type: **RCD** - with RCD
- Number of sockets 230V: **0** - 17
- Type: French (**empty**) SCHUKO: **S**
- Number of sockets 400V 16A 5p: **0; 1; 2; 3; 4; 5; 6**
- Number of sockets 400V 32A 5p: **0; 1; 2; 3; 4; 5; 6**
- Number of sockets 400V 63A 5p: **0; 1; 2**
- MCB characteristic B 1x16A: **0; 1; 2; 3; 4; 5**
- MCB characteristic B 3x16A: **0; 1; 2**
- MCB characteristic B 3x32A: **0; 1; 2**
- MCB characteristic B 3x63A: **0; 1; 2**
- MCB characteristic C 1x16A: **0; 1; 2; 3; 4; 5**
- MCB characteristic C 3x16A: **0; 1; 2**
- MCB characteristic C 3x32A: **0; 1; 2**
- MCB characteristic C 3x63A: **0; 1; 2**
- Power cord with plugs: **/P**, energymeter: **/E**, disconnector: **/VYP**, protection: **IP66**



Site switchboard EDS16S RCD

4S/3 16/32/VYP C 430 with 63A main switch in lockable design.

Protection level: IP66

Order code: 004483460

Site switchboard, sockets 250V SCHUKO						Sockets 250V 2P+T	Sockets 400V (A)			MCB characteristic B (A)				MCB characteristic C (A)				
Order code	Name	Assembly	MCB char.	InA (A)	Production key		16	32	63	1x16	3x16	3x32	3x63	1x16	3x16	3x32	3x63	
004483458	EDS16S RCD 4S/3 16/32/VYP B IP66		B	63	EDS16S RCD 4S/210/2210/0000/VYP/IP66	4	2	1	2	2	1							
004483459	EDS16S RCD 4S/3 16/32/VYP B+C IP66		B+C		EDS16S RCD 4S/210/2000/0210/VYP/IP66	4	2	1	2					2	1			
004483460	EDS16S RCD 4S/3 16/32/VYP C IP66		C		EDS16S RCD 4S/210/0000/2210/VYP/IP66	4	2	1						2	2	1		

Site switchboard with switch and supply cable 2m, SCHUKO						Sockets 250V 2P+T	Sockets 400V (A)			MCB characteristic B (A)				MCB characteristic C (A)				
Order code	Name	Assembly	MCB char.	InA (A)	Production key		16	32	63	1x16	3x16	3x32	3x63	1x16	3x16	3x32	3x63	
004483461	EDS16S RCD 4S/3 16/32/VYP/P B IP66		B	32	EDS16S RCD 4S/210/2210/0000/VYP/P/IP66	4	2	1	2	2	1							
004483462	EDS16S RCD 4S/3 16/32/VYP/P B+C IP66		B+C		EDS16S RCD 4S/210/2000/0210/VYP/P/IP66	4	2	1	2					2	1			
004483463	EDS16S RCD 4S/3 16/32/VYP/P C IP66		C		EDS16S RCD 4S/210/0000/2210/VYP/P/IP66	4	2	1						2	2	1		

Site switchboard with switch and energy counters, SCHUKO						Sockets 250V 2P+T	Sockets 400V (A)			MCB characteristic B (A)				MCB characteristic C (A)				
Order code	Name	Assembly	MCB char.	InA (A)	Production key		16	32	63	1x16	3x16	3x32	3x63	1x16	3x16	3x32	3x63	
004483464	EDS16S RCD 4S/3 16/32/VYP/E B IP66		B	63	EDS16S RCD 4S/210/2110/0000/VYP/E/IP66	4	2	1	2	1	1							
004483465	EDS16S RCD 4S/3 16/32/VYP/E B+C IP66		B+C		EDS16S RCD 4S/210/2000/0110/VYP/E/IP66	4	2	1	2					1	1			
004483466	EDS16S RCD 4S/3 16/32/VYP/E C IP66		C		EDS16S RCD 4S/210/0000/2110/VYP/E/IP66	4	2	1						2	1	1		

Site switchboard with switch, supply cable 2m and energy counters, SCHUKO						Sockets 250V 2P+T	Sockets 400V (A)			MCB characteristic B (A)				MCB characteristic C (A)				
Order code	Name	Assembly	MCB char.	InA (A)	Production key		16	32	63	1x16	3x16	3x32	3x63	1x16	3x16	3x32	3x63	
004483467	EDS16S RCD 4S/3 16/32/VYP/P/E B IP66		B	32	EDS16S RCD 4S/210/2110/0000/VYP/P/E/IP66	4	2	1	2	1	1							
004483468	EDS16S RCD 4S/3 16/32/VYP/P/E B+C IP66		B+C		EDS16S RCD 4S/210/2000/0110/VYP/P/E/IP66	4	2	1	2					1	1			
004483469	EDS16S RCD 4S/3 16/32/VYP/P/E C IP66		C		EDS16S RCD 4S/210/0000/2110/VYP/P/E/IP66	4	2	1						2	1	1		

Site switchboard, sockets 250V with ground pin						Sockets 250V 2P+T	Sockets 400V (A)			MCB characteristic B (A)				MCB characteristic C (A)				
Order code	Name	Assembly	MCB char.	InA (A)	Production key		16	32	63	1x16	3x16	3x32	3x63	1x16	3x16	3x32	3x63	
004483430	EDS16S RCD 4/3 16/32/VYP B IP66		B	63	EDS16S RCD 4/210/2210/0000/VYP/IP66	4	2	1	2	2	1							
004483447	EDS16S RCD 4/3 16/32/VYP B+C IP66		B+C		EDS16S RCD 4/210/2000/0210/VYP/IP66	4	2	1	2					2	1			
004483448	EDS16S RCD 4/3 16/32/VYP C IP66		C		EDS16S RCD 4/210/0000/2210/VYP/IP66	4	2	1						2	2	1		

Site switchboard with switch and supply cable 2m, ground pin						Sockets 250V 2P+T	Sockets 400V (A)			MCB characteristic B (A)				MCB characteristic C (A)				
Order code	Name	Assembly	MCB char.	InA (A)	Production key		16	32	63	1x16	3x16	3x32	3x63	1x16	3x16	3x32	3x63	
004483449	EDS16S RCD 4/3 16/32/VYP/P B IP66		B	32	EDS16S RCD 4/210/2210/0000/VYP/P/IP66	4	2	1	2	2	1							
004483450	EDS16S RCD 4/3 16/32/VYP/P B+C IP66		B+C		EDS16S RCD 4/210/2000/0210/VYP/P/IP66	4	2	1	2					2	1			
004483451	EDS16S RCD 4/3 16/32/VYP/P C IP66		C		EDS16S RCD 4/210/0000/2210/VYP/P/IP66	4	2	1						2	2	1		

Site switchboard with switch and energy counters, ground pin						Sockets 250V 2P+T	Sockets 400V (A)			MCB characteristic B (A)				MCB characteristic C (A)				
Order code	Name	Assembly	MCB char.	InA (A)	Production key		16	32	63	1x16	3x16	3x32	3x63	1x16	3x16	3x32	3x63	
004483452	EDS16S RCD 4/3 16/32/VYP/E B IP66		B	63	EDS16S RCD 4/210/2110/0000/VYP/E/IP66	4	2	1	2	1	1							
004483453	EDS16S RCD 4/3 16/32/VYP/E B+C IP66		B+C		EDS16S RCD 4/210/2000/0110/VYP/E/IP66	4	2	1	2					1	1			
004483454	EDS16S RCD 4/3 16/32/VYP/E C IP66		C		EDS16S RCD 4/210/0000/2110/VYP/E/IP66	4	2	1						2	1	1		

With switch, supply cable 2m and energy counters, ground pin						Sockets 250V 2P+T	Sockets 400V (A)			MCB characteristic B (A)				MCB characteristic C (A)				
Order code	Name	Assembly	MCB char.	InA (A)	Production key		16	32	63	1x16	3x16	3x32	3x63	1x16	3x16	3x32	3x63	
004483455	EDS16S RCD 4/3 16/32/VYP/P/E B IP66		B	32	EDS16S RCD 4S/210/2110/0000/VYP/P/E/IP66	4	2	1	2	1	1							
004483456	EDS16S RCD 4/3 16/32/VYP/P/E B+C IP66		B+C		EDS16S RCD 4S/210/2000/0110/VYP/P/E/IP66	4	2	1	2					1	1			
004483457	EDS16S RCD 4/3 16/32/VYP/P/E C IP66		C		EDS16S RCD 4S/210/0000/2110/VYP/P/E/IP66	4	2	1						2	1	1		

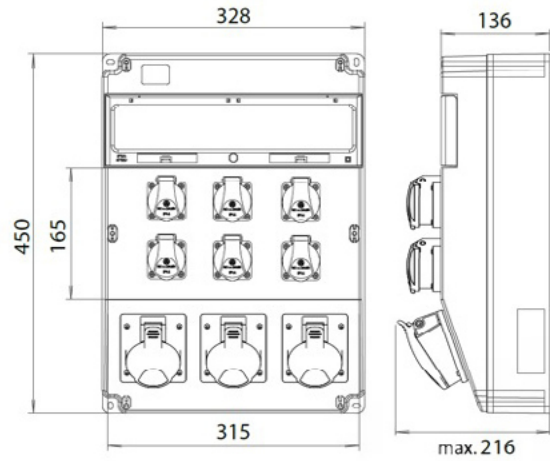
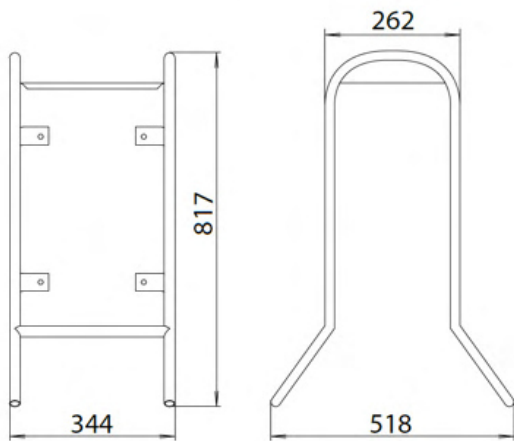


Rack socket assemblies EDS16S RCD
 6S/3 16/32 C,
 protection level: IP54

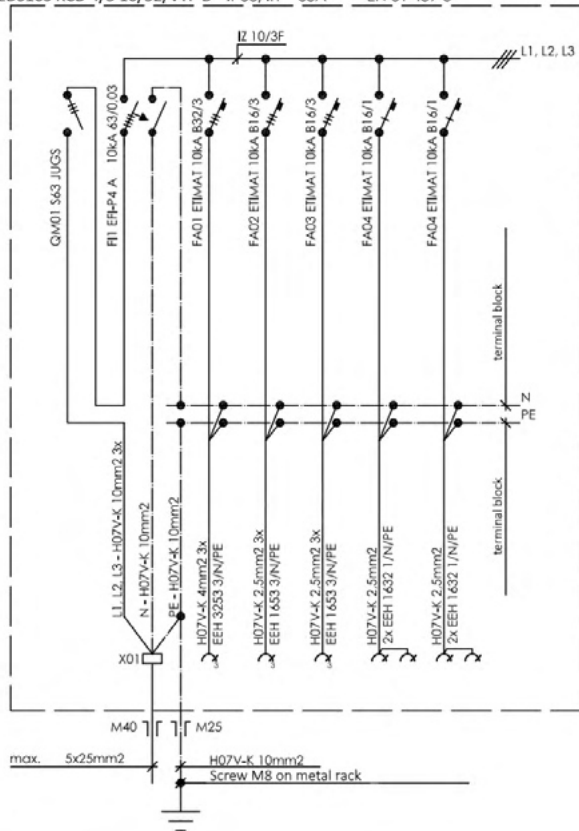
Order code: 004483441

Select of typical version with RCD, sockets 250V SCHUKO, with rack						Sockets 250V 2P+T	Sockets 400V (A)			MCB characteristic B (A)				MCB characteristic C (A)				
Order code	Name	Assembly	MCB char.	InA (A)	Production key		16	32	63	1x16	3x16	3x32	3x63	1x16	3x16	3x32	3x63	
004483439	EDS16SRCD 6S/3 16/32 B		B	63	EDS16S RCD 6S/210/3110/0000	6	2	1		3	1	1						
004483440	EDS16SRCD 6S/3 16/32 B+C		B+C		EDS16S RCD 6S/210/3000/0110	6	2	1		3					1	1		
004483441	EDS16SRCD 6S/3 16/32 C		C		EDS16S RCD 6S/210/0000/3110	6	2	1							3	1	1	
004483442	EDS16SRCD 10S/3 16/32/63 B		B	63	EDS16S RCD 10S/111/3111/0000	10	1	1	1	3	1	1	1					
004483443	EDS16SRCD 10S/3 16/32/63 B+C		B+C		EDS16S RCD 10S/111/3000/0111	10	1	1	1	3					1	1	1	1
004483444	EDS16SRCD 10S/3 16/32/63 C		C		EDS16S RCD 10S/111/0000/3111	10	1	1	1						3	1	1	1
004483445	EDS16SRCD 15SB		B	63	EDS16S RCD 15S/000/5000/0000	15				5								
004483446	EDS16SRCD 15SC		C		EDS16S RCD 15S/000/0000/5000	15									5			

Select of typical version with RCD, sockets 250V ground pin, with rack						Sockets 250V 2P+T	Sockets 400V (A)			MCB characteristic B (A)				MCB characteristic C (A)					
Order code	Name	Assembly	MCB char.	InA (A)	Production key		16	32	63	1x16	3x16	3x32	3x63	1x16	3x16	3x32	3x63		
004483431	EDS16SRCD 6/3 16/32 B		B	63	EDS16S RCD 6/210/3110/0000	6	2	1		3	1	1							
004483432	EDS16SRCD 6/3 16/32 B+C		B+C		EDS16S RCD 6/210/3000/0110	6	2	1		3					1	1			
004483433	EDS16SRCD 6/3 16/32 C		C		EDS16S RCD 6/210/0000/3110	6	2	1							3	1	1		
004483434	EDS16SRCD 10/3 16/32/63 B		B	63	EDS16S RCD 10/111/3111/0000	10	1	1	1	3	1	1	1						
004483435	EDS16SRCD 10/3 16/32/63 B+C		B+C		EDS16S RCD 10/111/3000/0111	10	1	1	1	3					1	1	1	1	
004483436	EDS16SRCD 10/3 16/32/63 C		C		EDS16S RCD 10/111/0000/3111	10	1	1	1						3	1	1	1	1
004483437	EDS16SRCD 15 B		B	63	EDS16S RCD 15/000/5000/0000	15				5									
004483438	EDS16SRCD 15 C		C		EDS16S RCD 15/000/0000/5000	15									5				



EDS16S RCD 4/3 16/32/VYP B IP66, In = 63A EN 61 439-3



EDS16S RCD 4/3 16/32/VYP B IP66, In = 63A EN 61 439-3

