

Switch disconnectors LA

Generalities

LA is a range of switch disconnectors suitable for making and breaking on load and disconnecting low voltage electrical purposes:

- main switch
- switch for motors
- disconnector
- safety switch

General characteristics

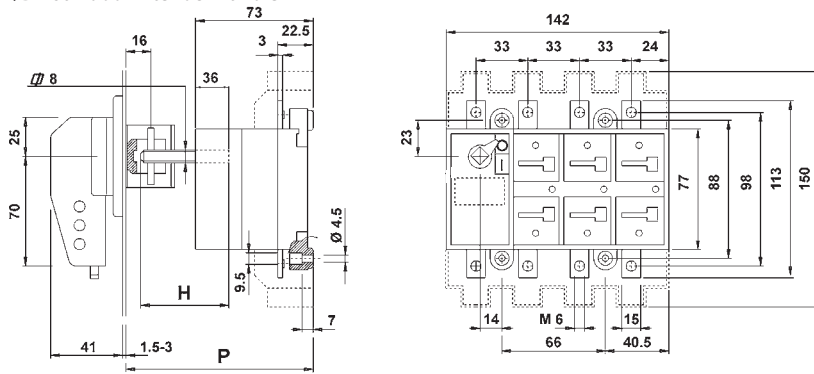
- rated insulation voltage 1000V AC and 1500V DC
- 3 and 4 poles available
- high breaking capacity (AC-22, AC-23, IEC 60947-3)
- high electrical and mechanical endurance
- double break contacts
- self – cleaning contacts
- contact position positively indicated by the handle
- visibility of fixed and moving contacts by means of windows
- independent manual operation
- neutral contact makes earlier and opens later than the phase contacts
- suitable protection to prevent accidental touching of live parts
- casing in self-extinguishing (V0-UL94), low hygroscopic and high mechanical resistance isolating material
- resistant to damp heat (IEC 6068-2)
- wide range of accessories
- rotary front operation by means of: external double insulated handle with door – interlock in ON position, IP65 degree of protection; padlockable with three padlocks in OFF position
- direct handle (padlockable in OFF position on request)

Technical data for LA switch disconnectors

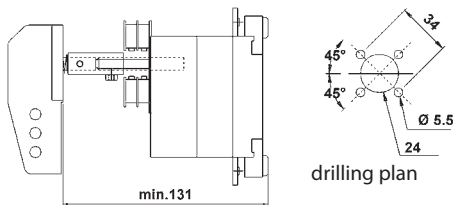
Type			LA1	LA2	LA3	LA4	LA5	
Rated current	(I _n)		160A	250A	400A	630A	1250A	
Rated insulation voltage	AC	(U _i)	(V)	1000	1000	1000	1000	1000
	DC	(U _i)	(V)	1500	1500	1500	1500	1500
Impulse withstand voltage	(U _{imp})	(kV)	8	12	12	12	12	
Rated thermal current	(I _{th})	(A)	160	250	400	630	1250	
Rated current AC-21/A/B	400V	(A)	125/160	250	400	630	1250	
	500V	(A)	125/160	250	400	630	1250	
	690V	(A)	125/160	250	400	630	1250	
Rated current AC-22/A/B	400V	(A)	125/160	250	400	630	1250	
	500V	(A)	125/125	250	400	630	1250	
	690V	(A)	125/125	250	400	630	1250	
Rated current AC-23/A/B	400V	(A)	125/125	250	400	630	1250	
	500V	(A)	100/100	200	315	500	800	
	690V	(A)	80/80	160	250	400	400	
Rated current DC-21A/B*	220V	(A)	125/160	250	400	630	1250	
	420V	(A)	-	250	400	630	-	
	560V	(A)	-	-	400	630	-	
Rated current DC-22A/B*	220V	(A)	125/125	250	400	630	1250	
	420V	(A)	-	250	400	630	-	
	560V	(A)	-	-	400	630	-	
Rated current DC-23A/B*	220V	(A)	80/80	250	400	630	800	
	420V	(A)	-	250	400	630	-	
	560V	(A)	-	-	400	630	-	
Rated making capacity at 400V AC23		(A)	1250	2500	4000	6300	12500	
Rated breaking capacity at 400V AC23		(A)	1000	2000	3200	5040	10000	
Short-circuit with stand current	1 sec.	(kA)	5	8	13	26,5	35	
	0,25 sec	(kA)	10	16	26	53	70	
Short-circuit making capacity	(400V)	(kA)	7,5	13,5	26	30	73,5	
Rated operational current AC 23A	(400V)	(kW)	65	130	210	330	630	
Rated back up fuse short-circuit current								
Back up fuse		(A)	125	250	400	630	1000	
Short - circuit current - R.M.S. value		(kA)	50	50	50	50	100	
Mechanical endurance			10000	10000	8000	8000	7000	
Electrical endurance			2000	2000	1500	1500	1000	
Rated capacitor power at 400V		kVAR	50	110	180	300	600	
Power loss per pole		(W)	2,7	3,8	9,4	15,6	12,7	
Cable section (Cu)		mm ²	70	120	240	2x185	-	
Bars dimensions (Cu)		mm	16x4	20x5	2x25x5	2x32x6	2x50x8	
Operation torque		Nm	8	12	18	34	45	
Weight	3P	kg	0,9	1,5	3,5	5,5	11	
	4P	kg	1	1,6	3,8	6	12	

*Two poles in series

LA1 /D 160 - door interlock handle

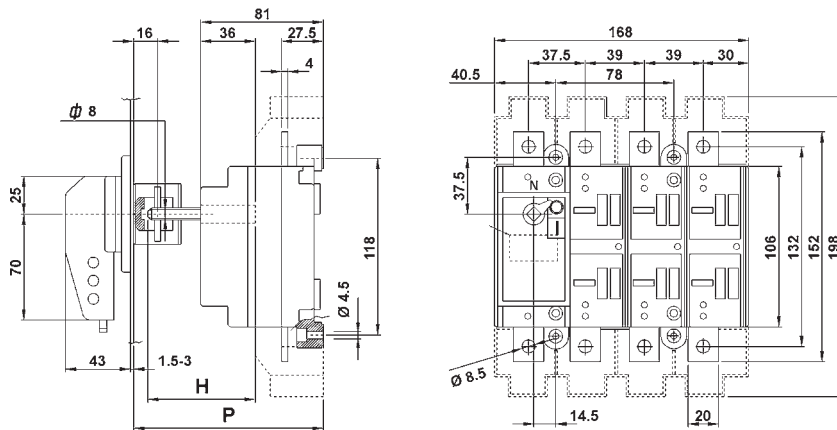


LA1 /R 160 - with direct handle

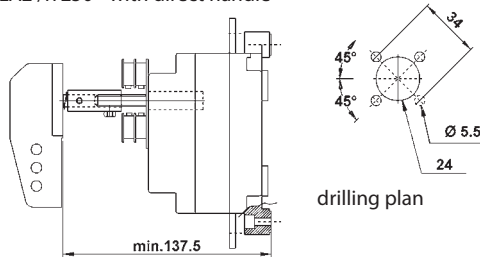


P		C	H
min	max		
116	247	47	P-C

LA2 /D 250 - door interlock handle

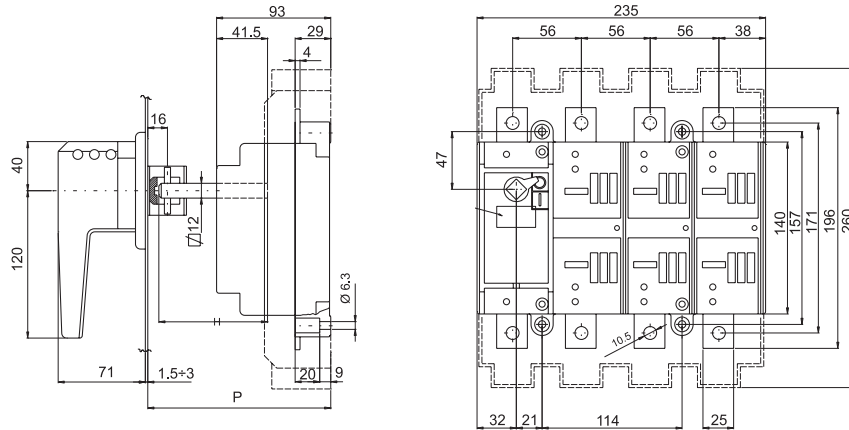


LA2 /R 250 - with direct handle

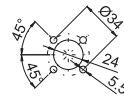
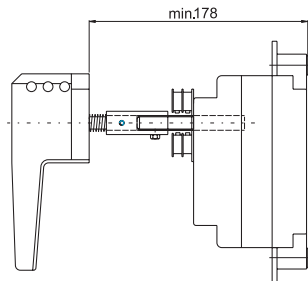


P		C	H
min	max		
174	255	55	P-C

LA3/D 400 A - door interlock handle

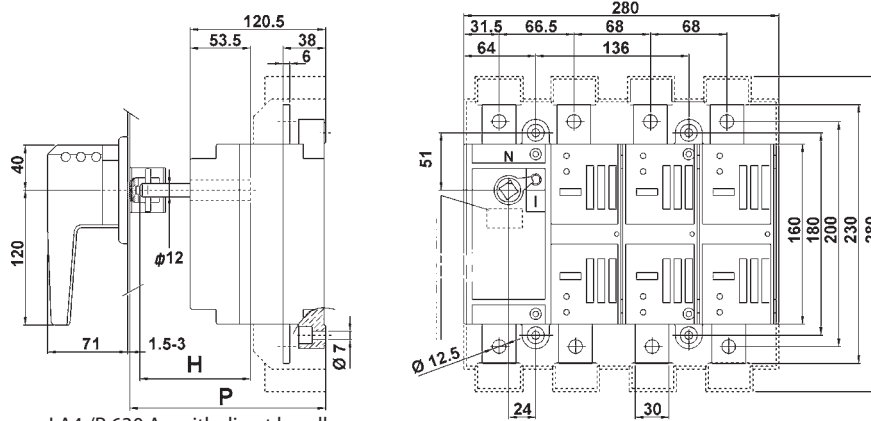


LA3/R 400 A with direct handle

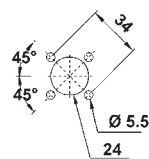
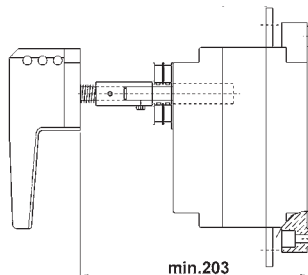


P		C	H
min	max		
148	261,5	51,5	P-C

LA4 /D 630 A - door interlock handle

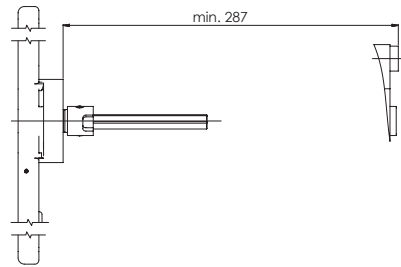
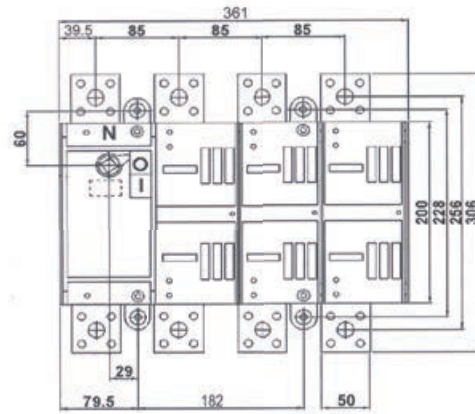
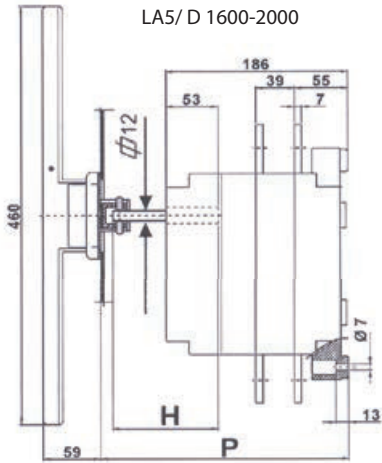


LA4 /R 630 A - with direct handle



drilling plan

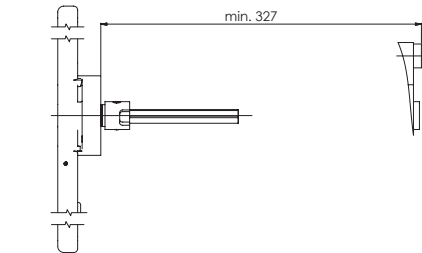
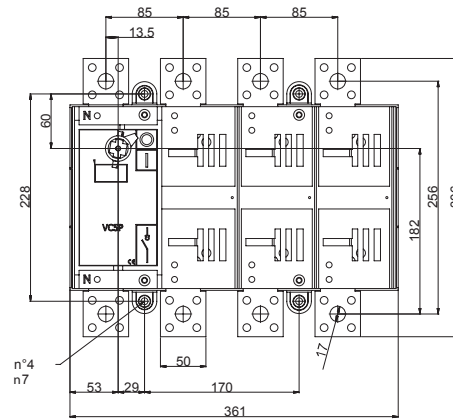
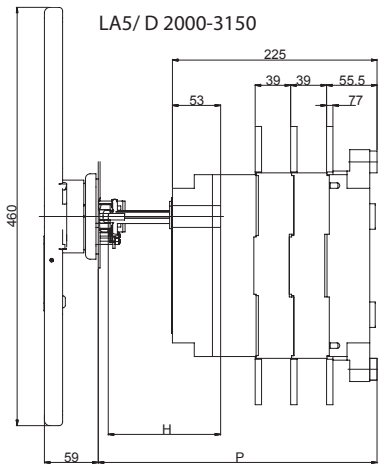
P		C	H
min	max		
174	276	76	P-C



LA5/ R 1600-2000



P		C	H
min	max	145	P-C
252	345		



LA5/ R 2000-3150



P		C	H
min	max	184	P-C
291	384		