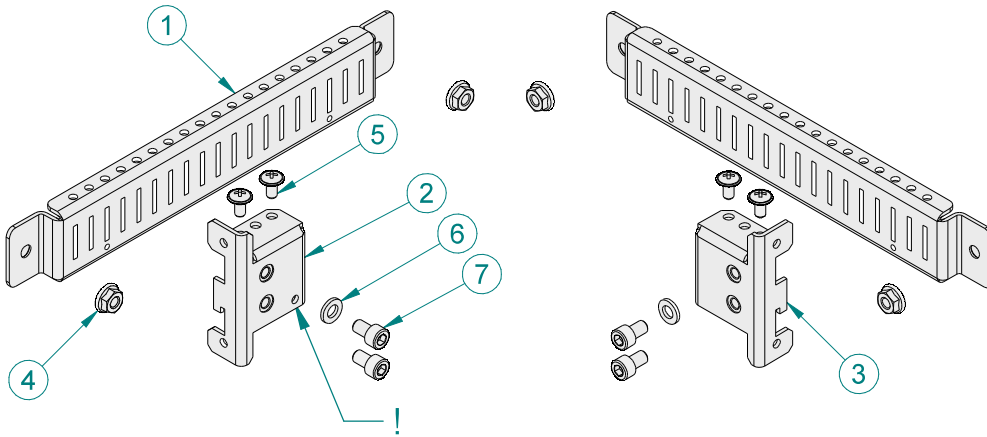
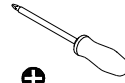
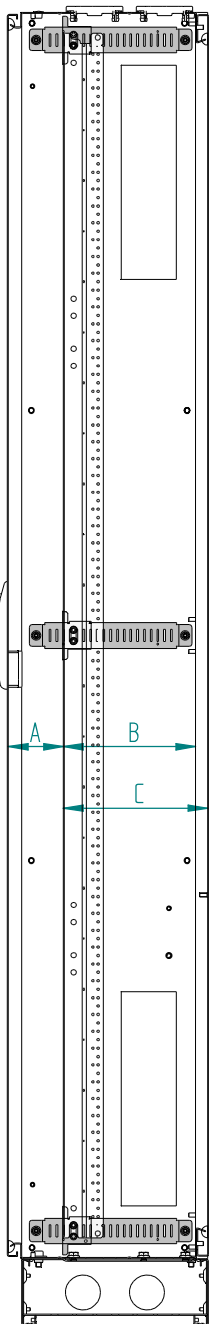


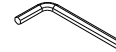
UW-BCR 3 001338206



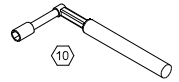
UW-BCR 3 001338206			
No.	Type ETI	Name	Pcs.
1	UW-BCR-3-C	Holder	2
2	CR-CP-L	Holder	1
3	CR-CP-P	Holder	1
4	AN-FSH 6	Nut flange serat DIN6923 Zn	4
5	AST 4,8x9,5	Tapping screw	4
6	AW-R 6	Washer M6 DIN126 Zn	4
7	AS-SH 6x10	Screw M6x10 DIN912 Zn	4



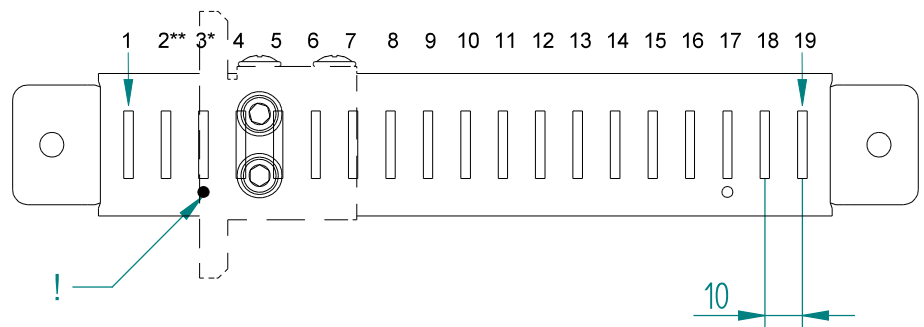
Screwdriver PH2



Hex6
2 Nm



10

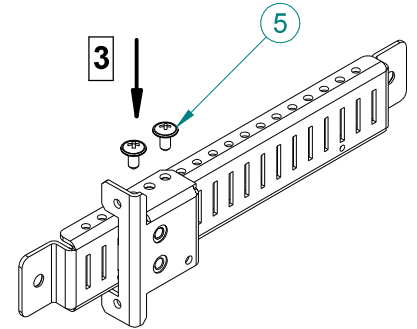
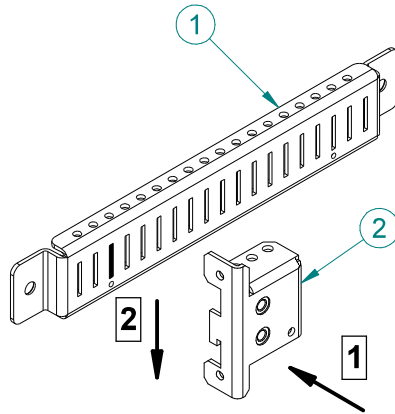
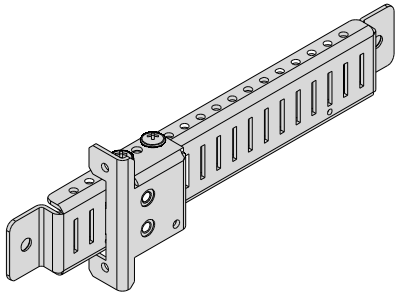


UW-BCR 3			
Position	A	B	C
1	61 mm	216 mm	234 mm
2	71 mm	206 mm	224 mm
3*	81 mm	196 mm	214 mm
4	91 mm	186 mm	204 mm
5	101 mm	176 mm	194 mm
6	111 mm	166 mm	184 mm
7	121 mm	156 mm	174 mm
8	131 mm	146 mm	164 mm
9	141 mm	136 mm	154 mm
10	151 mm	126 mm	144 mm
11	161 mm	116 mm	134 mm
12	171 mm	106 mm	124 mm
13	181 mm	96 mm	114 mm
14	191 mm	86 mm	104 mm
15	201 mm	76 mm	94 mm
16	211 mm	66 mm	84 mm
17	221 mm	56 mm	74 mm
18	231 mm	46 mm	64 mm
19	241 mm	36 mm	54 mm

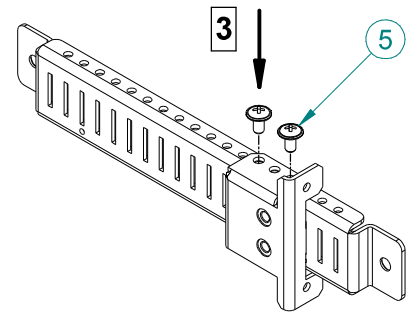
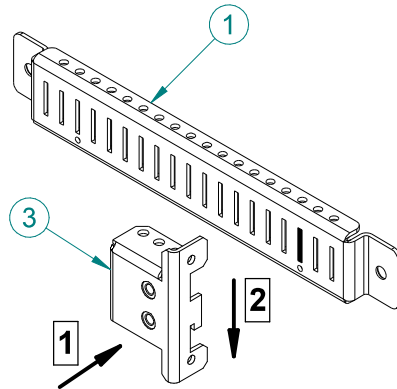
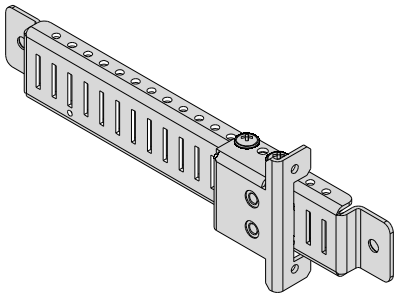
* basic position

1

A



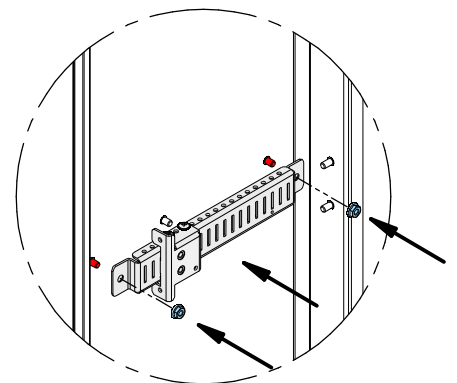
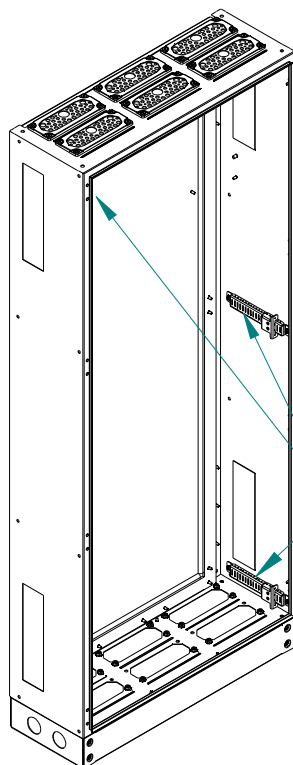
B



A



B



2

