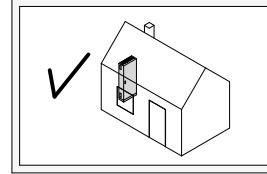
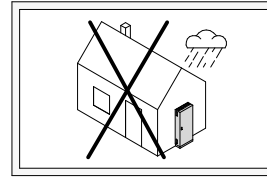


HXS300 X-Y

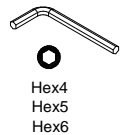
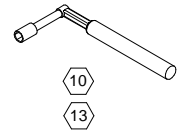
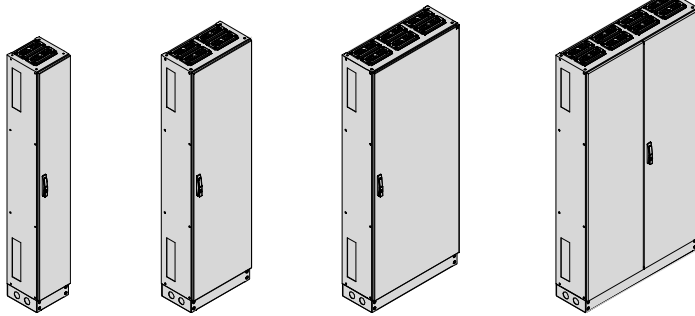


- (GB) Mounting instructions
- (DE) Montageanleitung
- (SI) Navodilo za montažo
- (PL) Instrukcje montażu
- (HR) Upute za montažu
- (CZ) Montážní návod
- (SK) Navod na montáž
- (HU) Szereles utmutató
- (LT) Montavimo instrukcija
- (RU) Инструкция за монтаж
- (LV) Montāžas instrukcija
- (EST) Paigaldusjuhend



ETI Elektroelement d.o.o.
 Obrezija 5, 1411 Izlake, Slovenia
 Phone: +386(0)3 56 57 570
 Fax: +386(0)3 56 74 077
 e-mail: eti@eti.si
 www.etigroup.eu

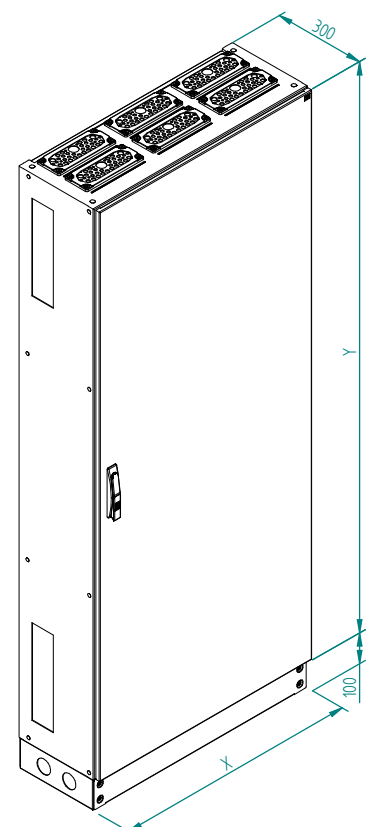
HXS300 1-12 PH1 HXS300 2-12 PH1 HXS300 3-12 PH1 HXS300 4-12 PH1
 001325100 001325102 001325103 001325104

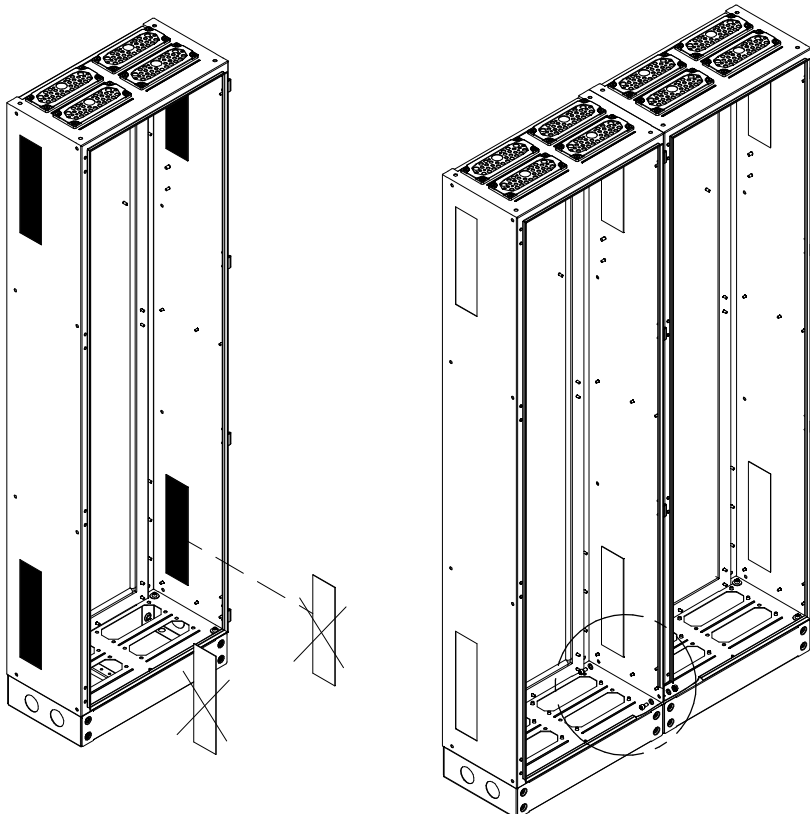
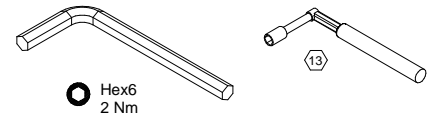
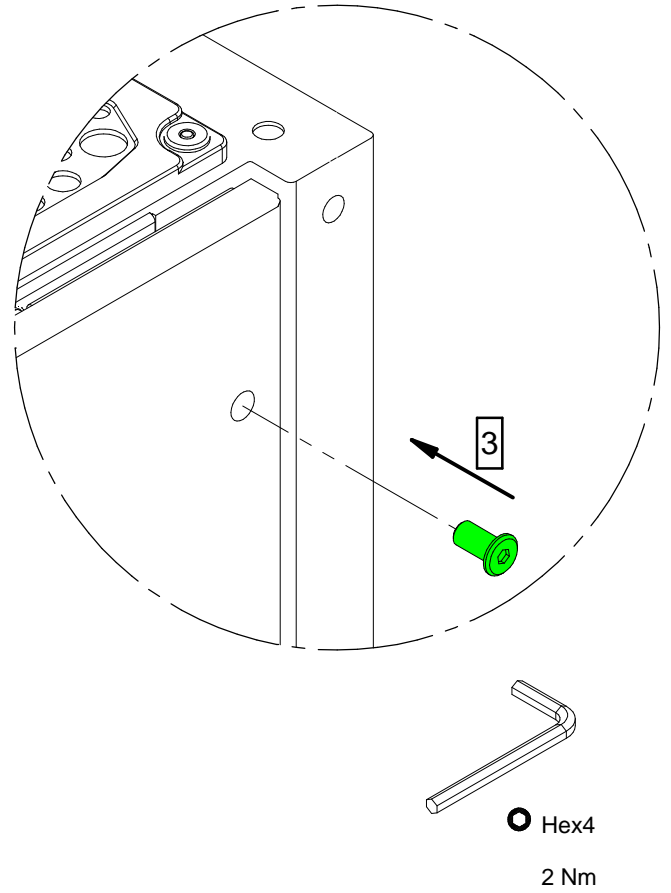
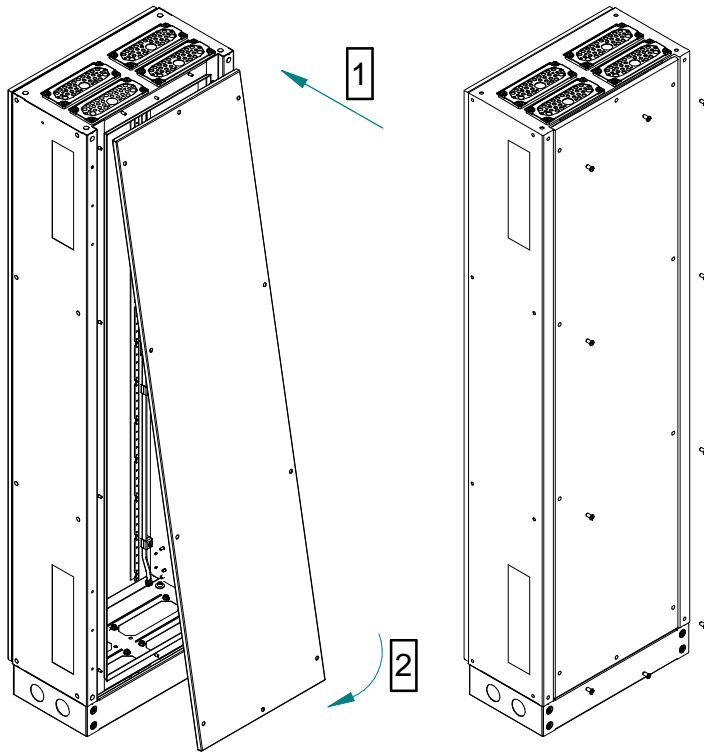


No.	Code No	Name	Page
1		HXS300	1-4
2	001336908	PH1 D3 -W1	5
3	001336910	PH1 D3 -W2	5
4	001336912	PH1 D3 -W3	5
5	001336914	PH1 D3 -W4	5
6	001338201	UW-BCU 23	6
7	001338206	UW-BCR 3	8
8		WP-A	11
9		WP-T	14
10	001338215	CR-A	14
11	001338302	UW-SEP 3	16
12	001101677	EP-W	17
13	001338306	EP-A	19
14	001338900	BL-WP 2	21
15	001338901	BL-WP 3	21
16	001338102	UA-B	23, 34, 35, 39, 40
17	001338103	UA-B-WD	24, 39
18	001338104	UA-S	25, 35, 40
19	001338115	UR-B	26, 36, 37, 41, 42
20	001338116	UR-B-WD	27, 41
21	001338117	UR-S	28, 37, 42
22	001338130	BL-UA 2	29, 35, 40
23	001338131	BL-UA 3	29, 35, 40
24	001338132	BL-UA 4	29, 35, 40
25	001338145	BL-UR 2	30, 37, 42
26	001338146	BL-UR 3	30, 37, 42
27	001338147	BL-UR 4	30, 37, 42
28	001338160	BU-PM	31, 35, 37
29	001338161	BU-WD	32, 40, 42
30		PM-G	33-37
31	001338864	WD-K 12	38-42
32	001341800	UD-B60-H P1	43
33	001341802	UD-B60-H P3	44
34	001341803	UD-B60-H P4	45
35	001340164	CP-BV 12	46
36	001340165	CP-BV 13	46
37	001340200	CP-BH 2	47
38	001340250	CP-BHS 1	48
39	001340252	CP-BHS 2	48
40	001340254	CP-BHS 3	48

No.	Code No	Name	Page
41	001101683	LG-V SET	49
42	001101685	LG-V5 SET	49
43	001341151	LG-V6-B SET	50
44	001341153	LG-V6-D SET	50
45	001341201	LG-V6R-B SET	51
46	001341880	LG-T6-A SET	51
47	001341650	LG-B60-H P1	52
48	001341651	LG-B60-H P3	52
49	001341652	LG-B60-H P4	52
50	001696006	L-BBS-60/3	53
51	001696007	L-BBS-60/4	54
52	001342181	L-WP-B60/3	53
53	001342182	L-WP-B60/4	54
54	001341700	LG-B60-V1 P3	55, 57, 59
55	001341702	LG-B60-V2 P3	55, 57, 58, 59
56	001341704	LG-B60-V2 P4	55, 57, 58, 59
57	001341750	LG-B60-V1R P3	56, 57, 59
58	001341752	LG-B60-V2R P3	56-59
59	001341754	LG-B60-V2R P4	56-59
60	001341850	LG-T-B185-H P3	60
61	001342180	ZP POP-WP	61
62	001691056	ZP POP 100	62
63	001691057	ZP POP 185	62
64	001341851	LG-T-INH1-A	63
65	001341852	LG-T-INH2-A	63

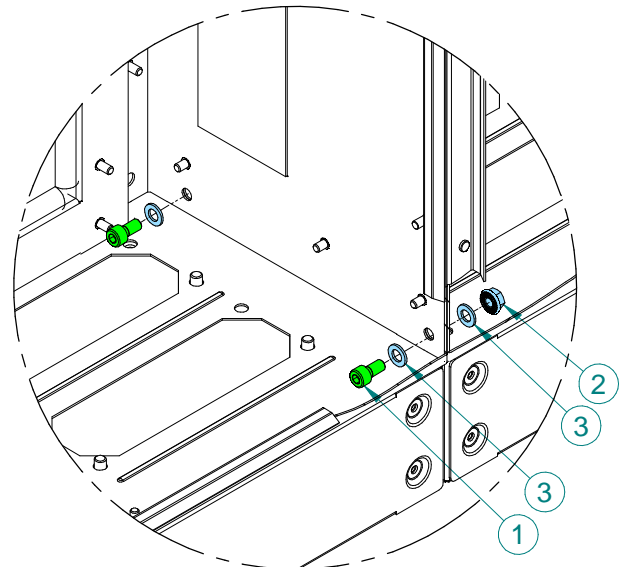
Code No	Type	X [mm]	Y [mm]	Z [mm]
001325100	HXS300 1-12 PH1	300	1850	300
001325102	HXS300 2-12 PH1	550	1850	300
001325103	HXS300 3-12 PH1	800	1850	300
001325104	HXS300 4-12 PH1	1050	1850	300

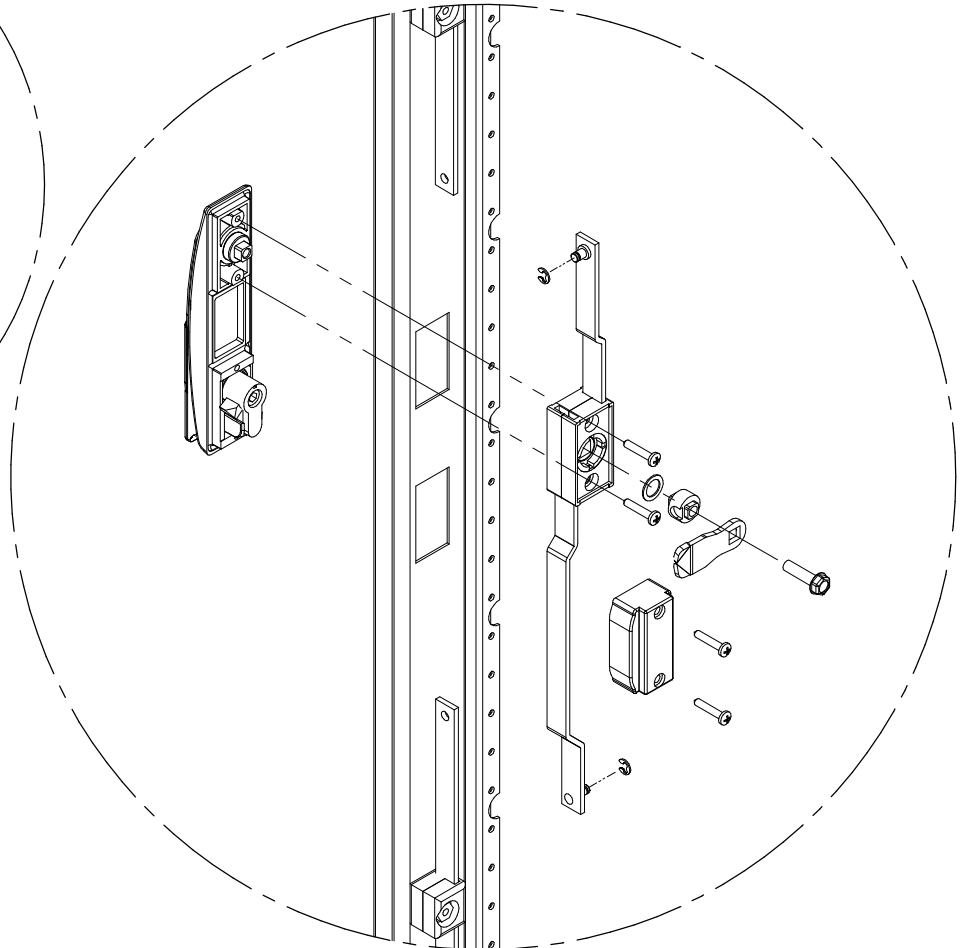
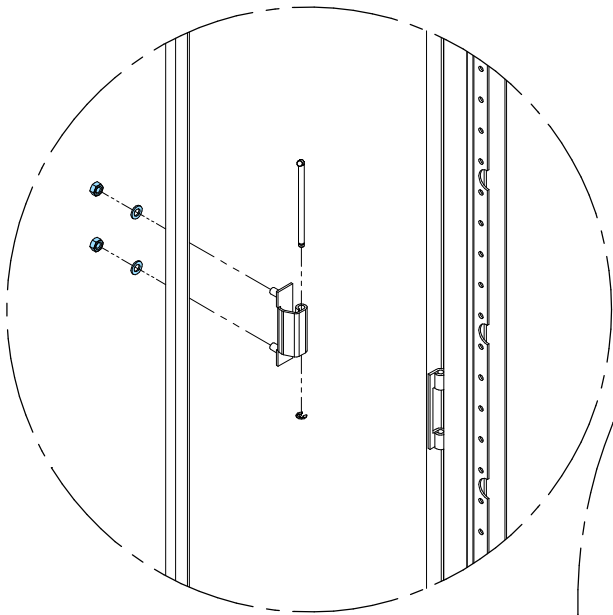
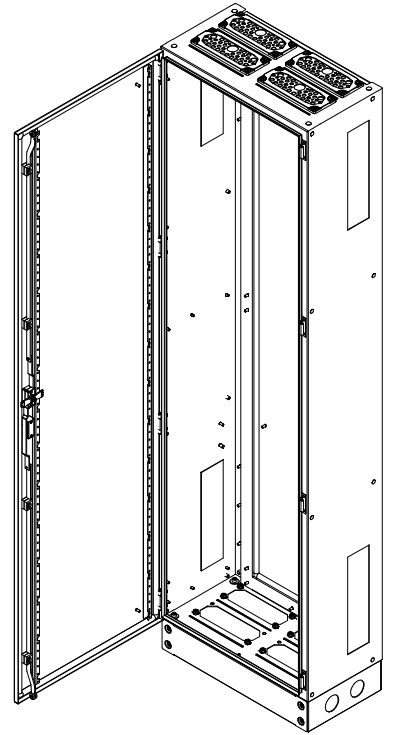
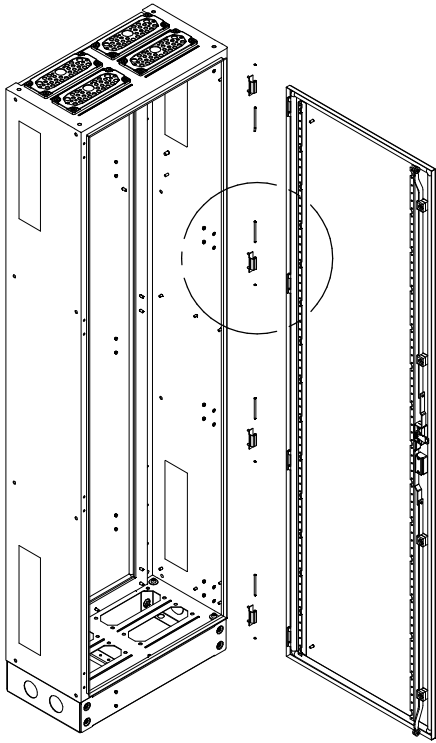


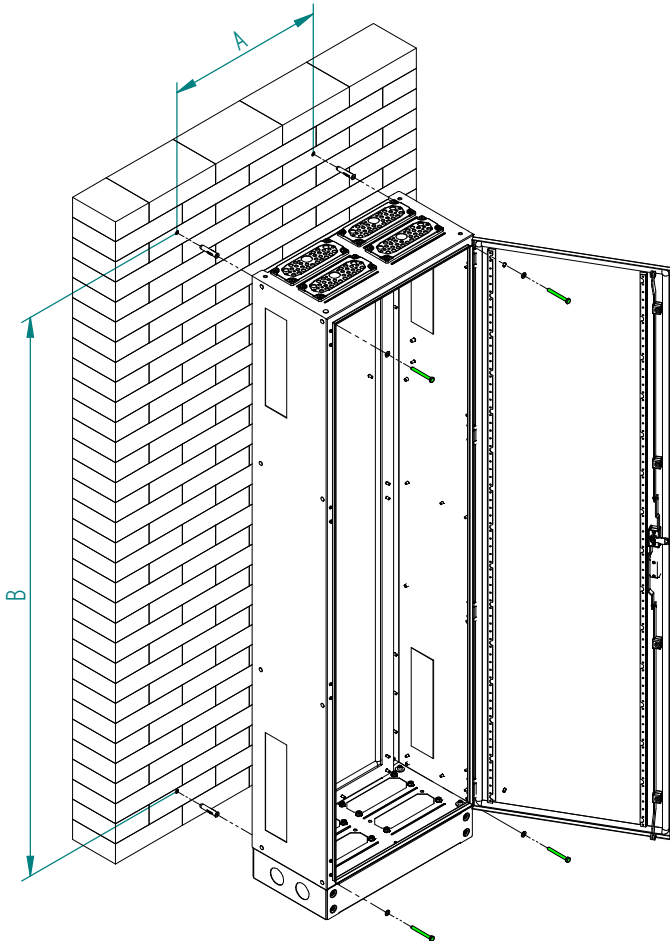
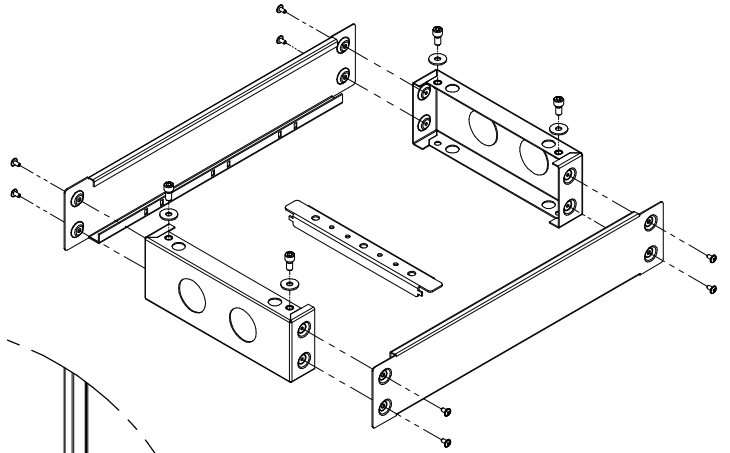
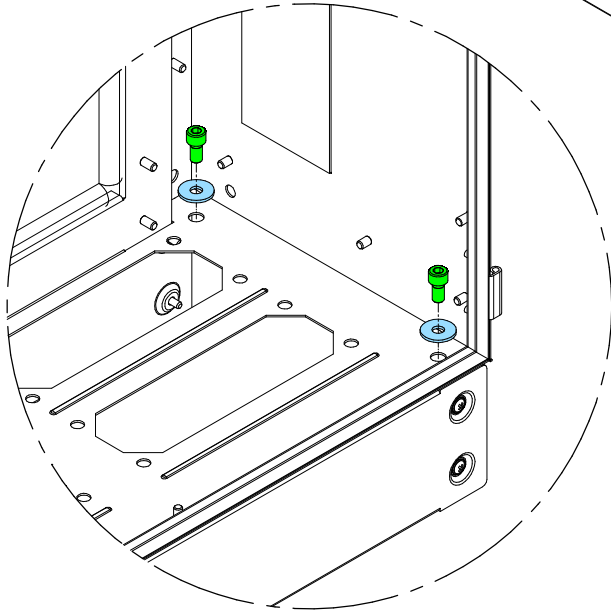
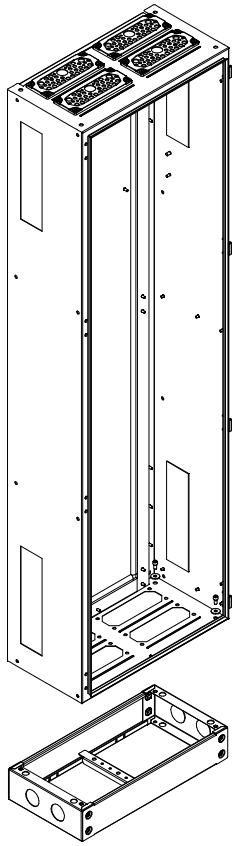


ZL-GXA-SEAL 001342851

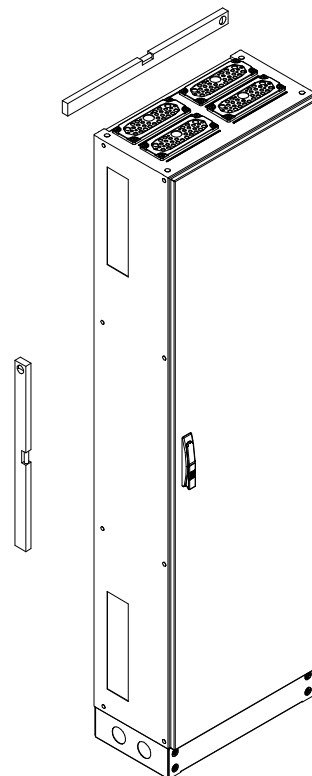
No.	Type ETI	Name	Pcs.
1	AS-SH 8x12	Screw M8x12 DIN912 Zn	2
2	AN-FSH 8	Nut flange serrat DIN6923 Zn	2
3	AW-R 8	Washer M8 DIN126 Zn	4



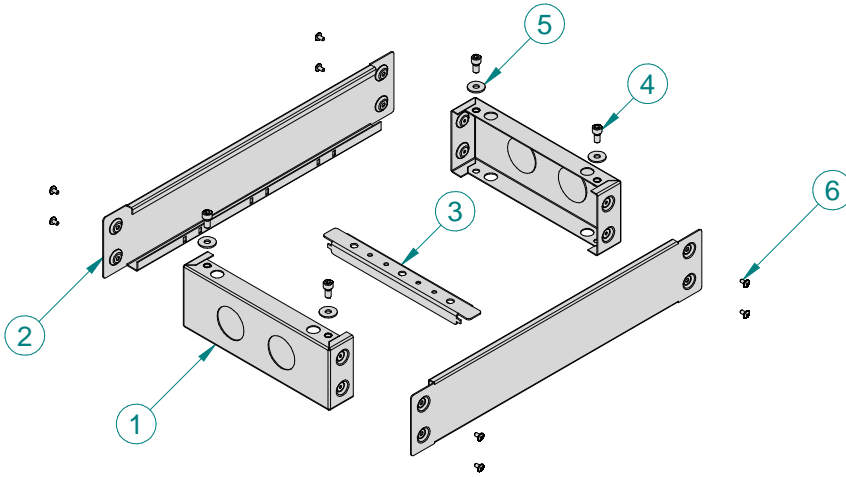




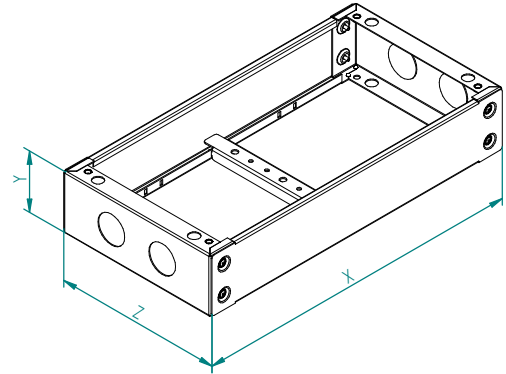
Code No	Type	A [mm]	B [mm]
001325100	HXS300 1-12 PH1	260	1810
001325102	HXS300 2-12 PH1	510	1810
001325103	HXS300 3-12 PH1	760	1810
001325104	HXS300 4-12 PH1	1010	1810



PH1



Code No	Type	X [mm]	Y [mm]	Z [mm]
001336908	PH1 D3 -W1	298	100	278
001336910	PH1 D3 -W2	548	100	278
001336912	PH1 D3 -W3	798	100	278
001336914	PH1 D3 -W4	1048	100	278

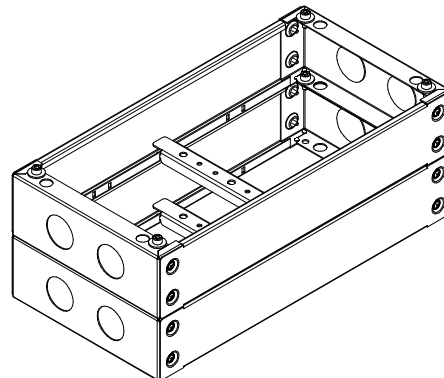
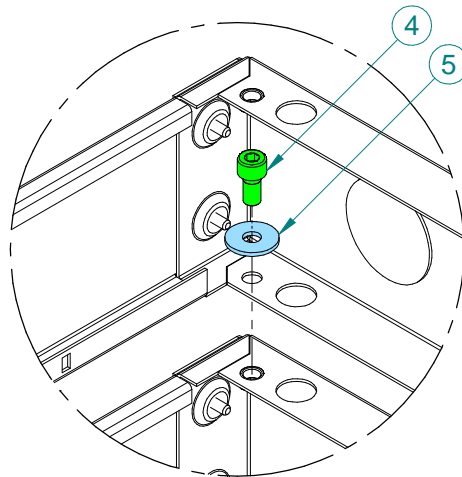
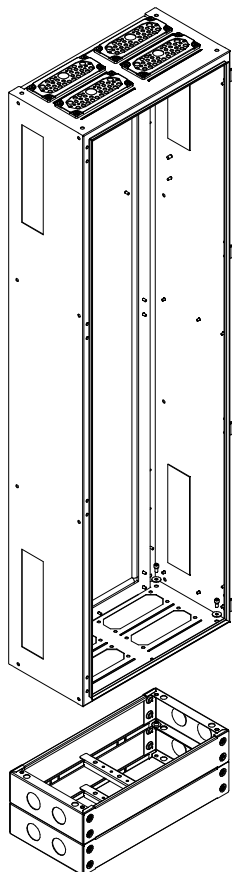


PH1 D3 -W1 001336908			
No.	Type ETI	Name	Pcs.
1	PH1-BOK-D3	Side plinth	2
2	PH1-PRZ-W1	Front plinth	2
3	PH-BEL-D3	Support	1
4	AS-SH 8x16	Screw M8x16 DIN912 Zn	4
5	AW-R 8	Washer M8 DIN126 Zn	4
6	AST 4.8x9.5	Tapping screw	8

PH1 D3 -W2 001336910			
No.	Type ETI	Name	Pcs.
1	PH1-BOK-D3	Side plinth	2
2	PH1-PRZ-W2	Front plinth	2
3	PH-BEL-D3	Support	1
4	AS-SH 8x16	Screw M8x16 DIN912 Zn	4
5	AW-R 8	Washer M8 DIN126 Zn	4
6	AST 4.8x9.5	Tapping screw	8

PH1 D3 -W3 001336912			
No.	Type ETI	Name	Pcs.
1	PH1-BOK-D3	Side plinth	2
2	PH1-PRZ-W3	Front plinth	2
3	PH-BEL-D3	Support	1
4	AS-SH 8x16	Screw M8x16 DIN912 Zn	4
5	AW-R 8	Washer M8 DIN126 Zn	4
6	AST 4.8x9.5	Tapping screw	8

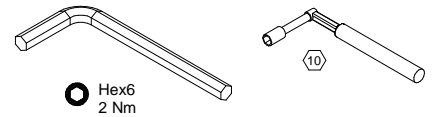
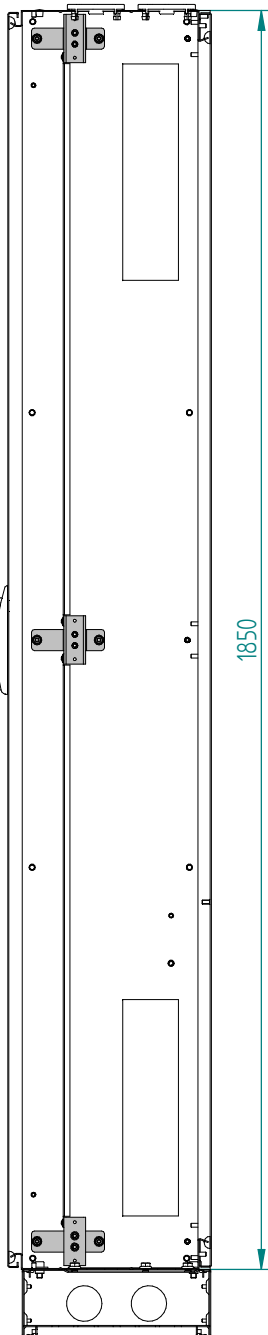
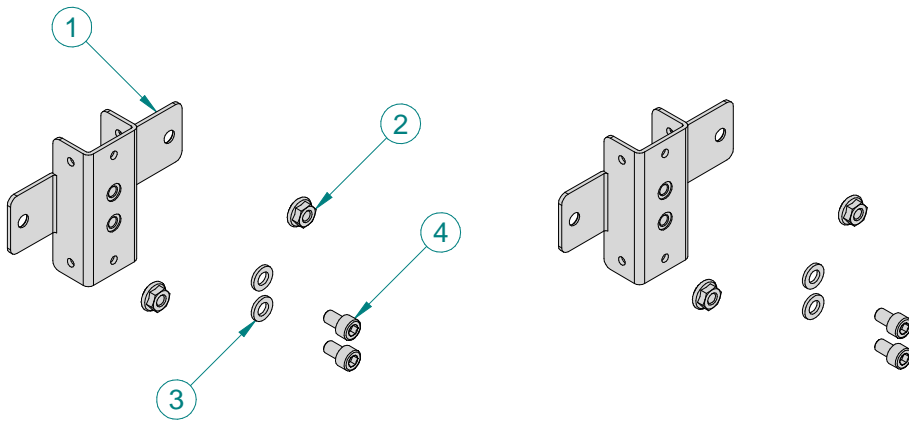
PH1 D3 -W4 001336914			
No.	Type ETI	Name	Pcs.
1	PH1-BOK-D3	Side plinth	2
2	PH1-PRZ-W4	Front plinth	2
3	PH-BEL-D3	Support	1
4	AS-SH 8x16	Screw M8x16 DIN912 Zn	4
5	AW-R 8	Washer M8 DIN126 Zn	4
6	AST 4.8x9.5	Tapping screw	8



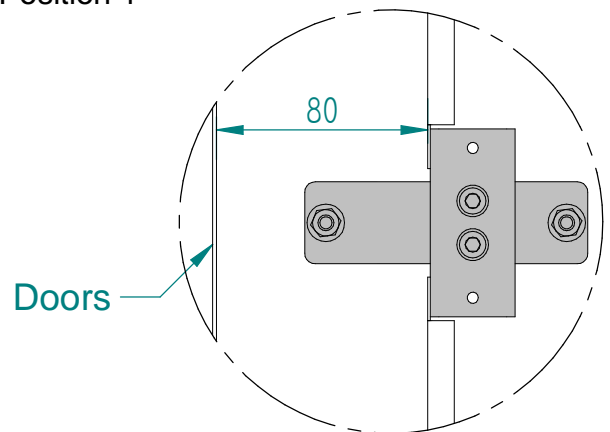
UW-BCU 23

001338201

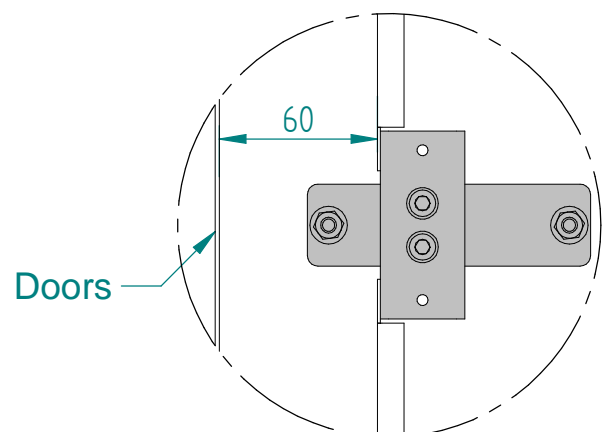
UW-BCU 23 001338201			
No.	Type ETI	Name	Pcs.
1	UW-BCU-23-C	Holder	2
2	AN-FSH 6	Nut flange serrat DIN6923 Zn	4
3	AW-R 6	Washer M6 DIN126 Zn	4
4	AS-SH 6x10	Screw M6x10 DIN912 Zn	4



Position 1



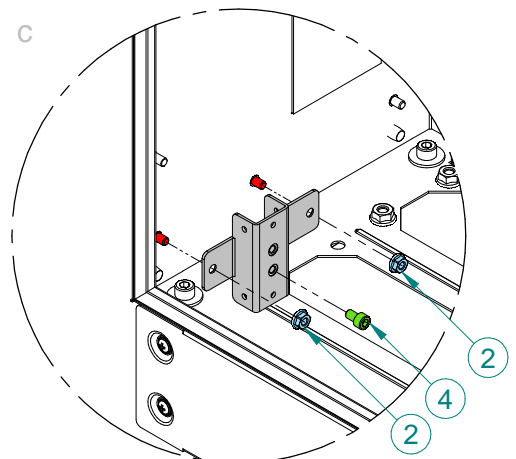
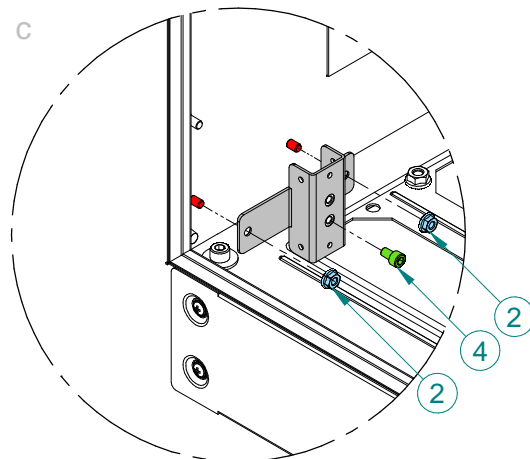
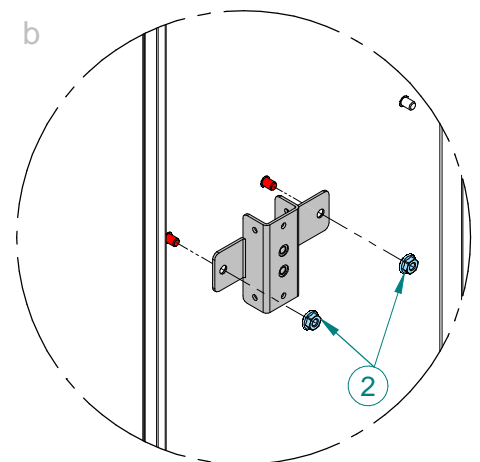
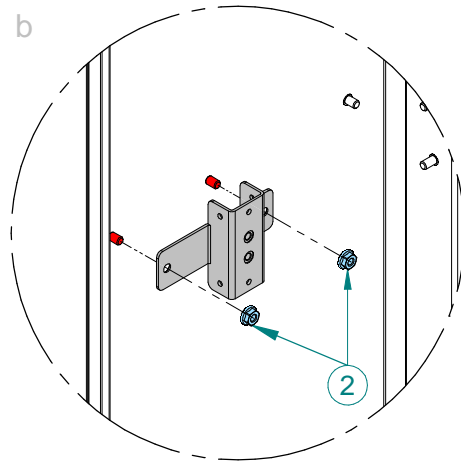
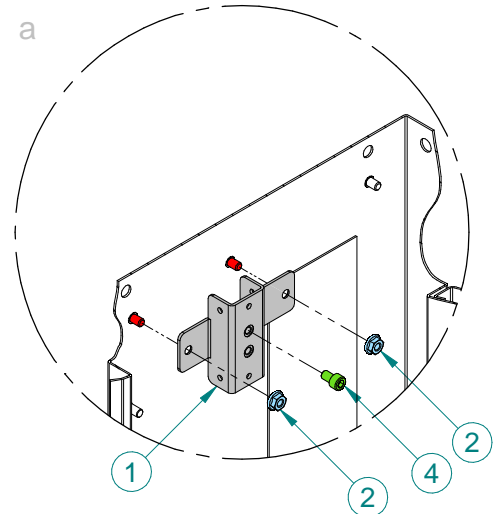
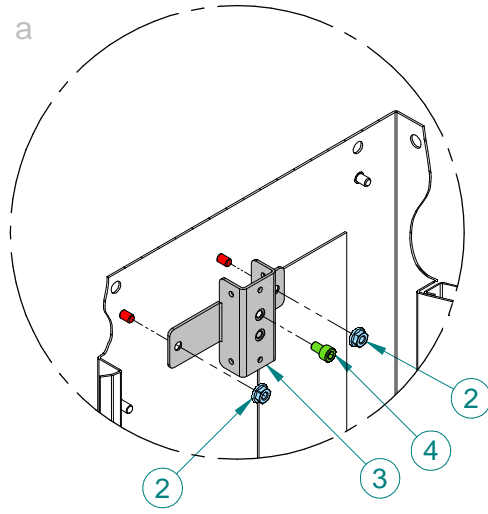
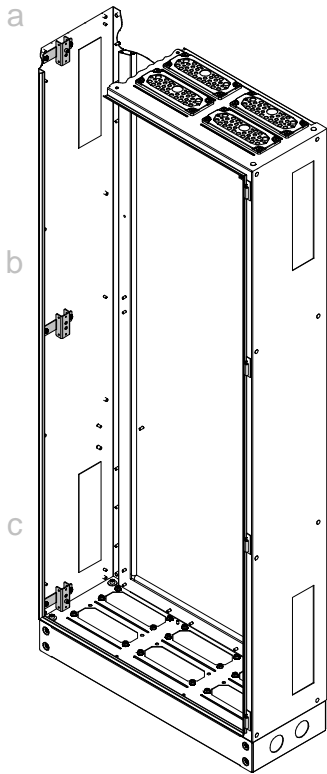
Position 2



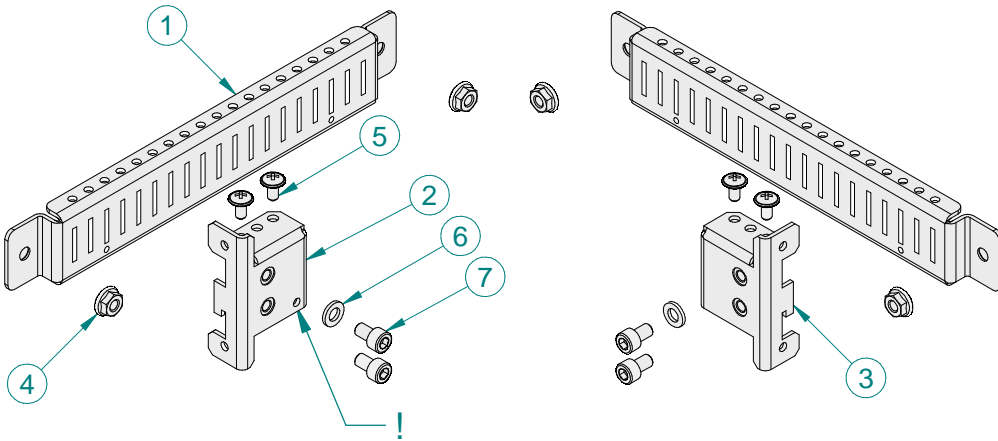
1

Position 1
(80 mm)

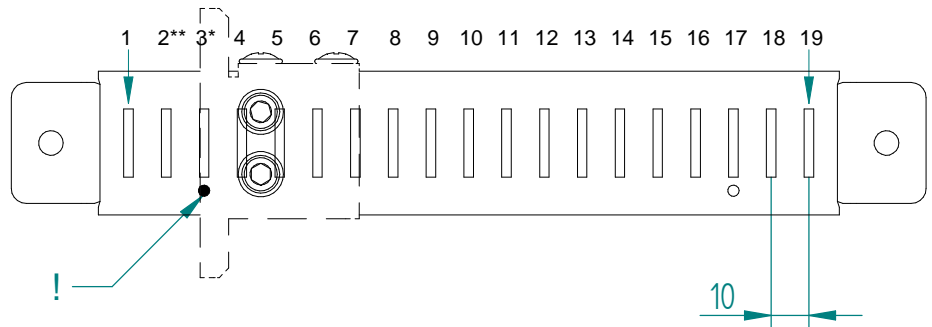
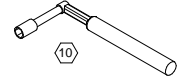
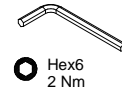
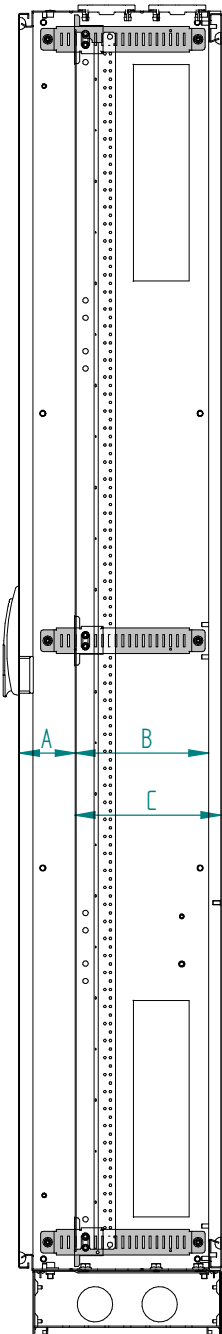
Position 2
(60 mm)



UW-BCR 3 001338206



UW-BCR 3 001338206			
No.	Type ETI	Name	Pcs.
1	UW-BCR-3-C	Holder	2
2	CR-CP-L	Holder	1
3	CR-CP-P	Holder	1
4	AN-FSH 6	Nut flange serat DIN6923 Zn	4
5	AST 4.8x9.5	Tapping screw	4
6	AW-R 6	Washer M6 DIN126 Zn	4
7	AS-SH 6x10	Screw M6x10 DIN912 Zn	4

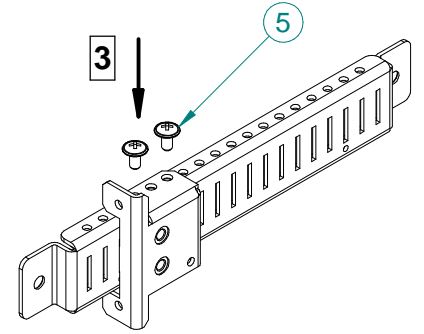
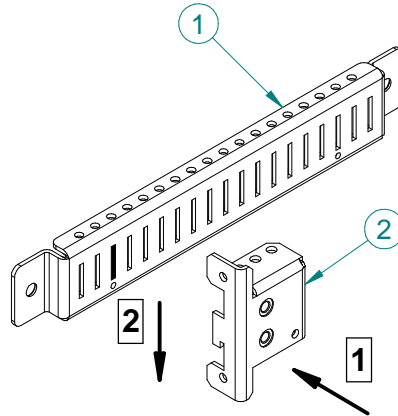
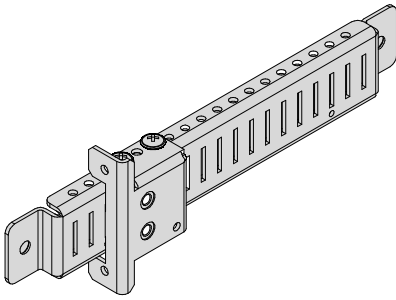


UW-BCR 3			
Position	A	B	C
1	61 mm	216 mm	234 mm
2	71 mm	206 mm	224 mm
3*	81 mm	196 mm	214 mm
4	91 mm	186 mm	204 mm
5	101 mm	176 mm	194 mm
6	111 mm	166 mm	184 mm
7	121 mm	156 mm	174 mm
8	131 mm	146 mm	164 mm
9	141 mm	136 mm	154 mm
10	151 mm	126 mm	144 mm
11	161 mm	116 mm	134 mm
12	171 mm	106 mm	124 mm
13	181 mm	96 mm	114 mm
14	191 mm	86 mm	104 mm
15	201 mm	76 mm	94 mm
16	211 mm	66 mm	84 mm
17	221 mm	56 mm	74 mm
18	231 mm	46 mm	64 mm
19	241 mm	36 mm	54 mm

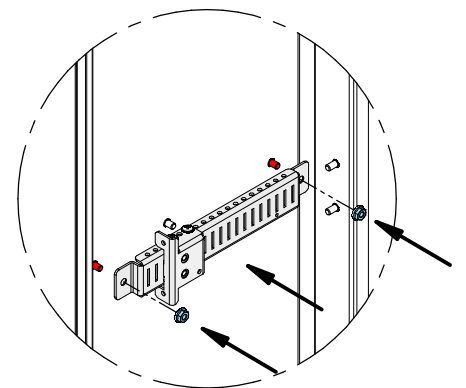
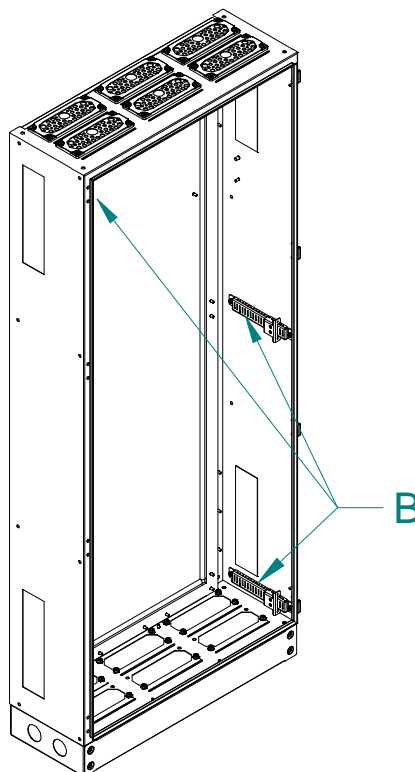
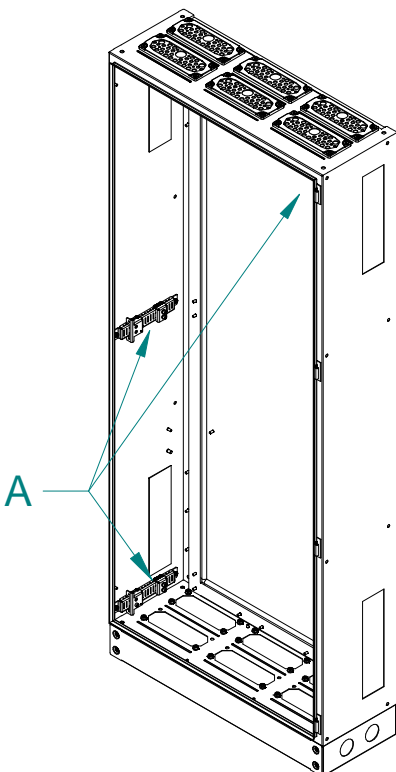
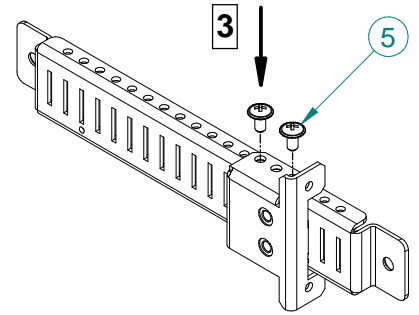
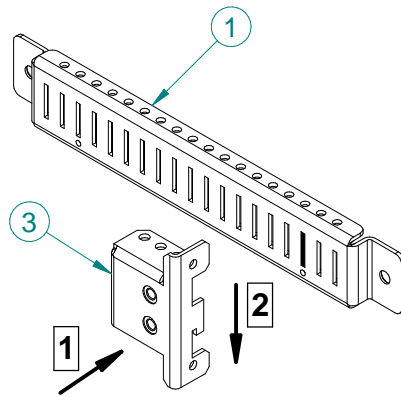
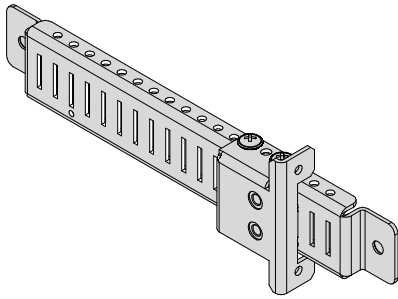
* basic position

1

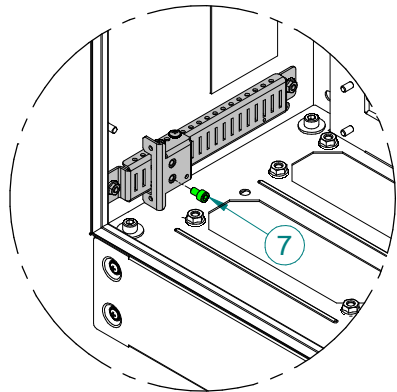
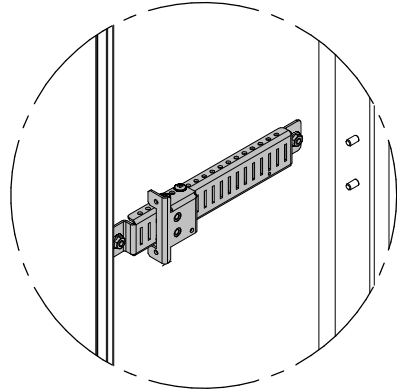
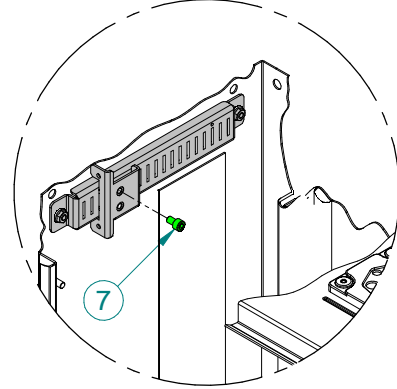
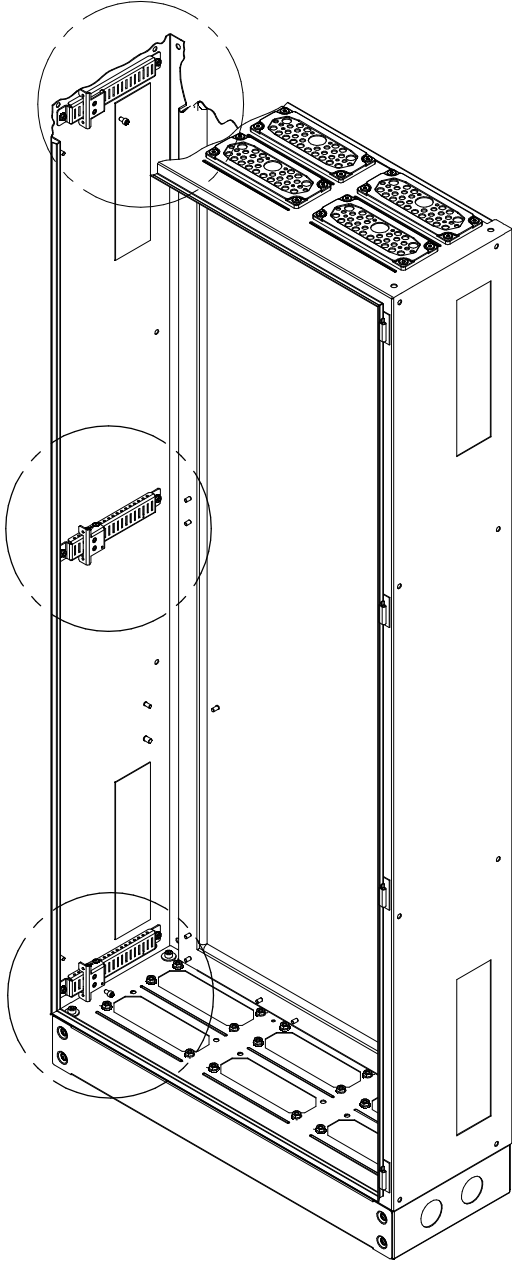
A



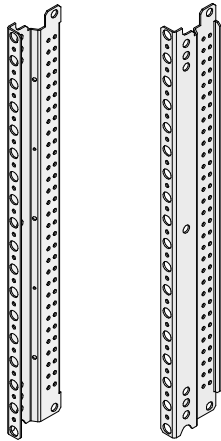
B



2



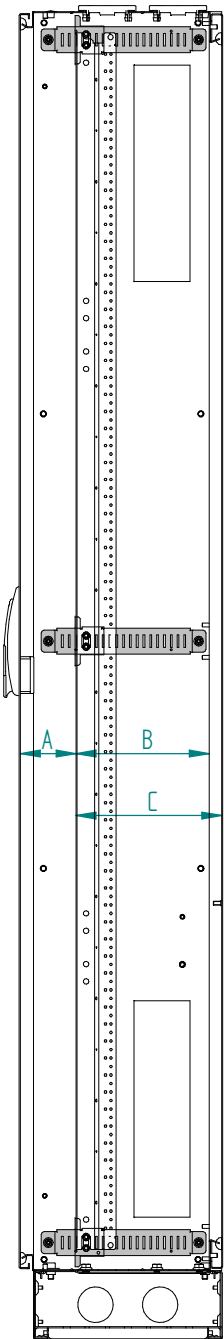
WP-A



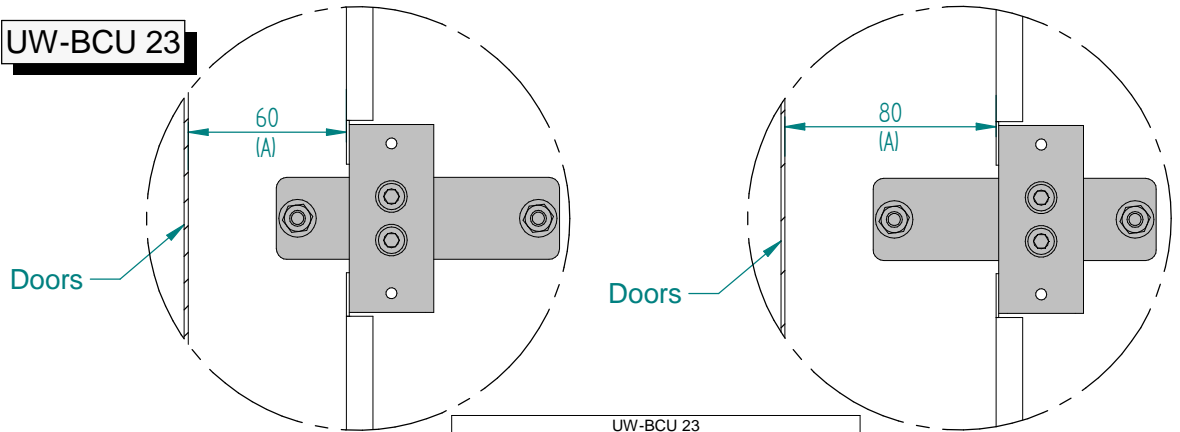
WP-A L

WP-A P

Code No	Type	Y	(1)	Pcs.	(2)	Pcs.
001338600	WP-A 2	288 mm	WP-A 2L	1	WP-A 2P	1
001101716	WP-A 2.33	338 mm	WP-A 2.33L	1	WP-A 2.33P	1
001101644	WP-A 3	438 mm	WP-A 3L	1	WP-A 3P	1
001101645	WP-A 3.66	538 mm	WP-A 3.66L	1	WP-A 3.66P	1
001101646	WP-A 4	588 mm	WP-A 4L	1	WP-A 4P	1
001101647	WP-A 5	738 mm	WP-A 5L	1	WP-A 5P	1
001101648	WP-A 6	888 mm	WP-A 6L	1	WP-A 6P	1
001101649	WP-A 6.33	938 mm	WP-A 6.33L	1	WP-A 6.33P	1
001101650	WP-A 7	1038 mm	WP-A 7L	1	WP-A 7P	1
001101651	WP-A 7.66	1138 mm	WP-A 7.66L	1	WP-A 7.66P	1
001338601	WP-A 8	1188 mm	WP-A 8L	1	WP-A 8P	1
001338602	WP-A 9	1338 mm	WP-A 9L	1	WP-A 9P	1
001338603	WP-A 10	1488 mm	WP-A 10L	1	WP-A 10P	1
001338604	WP-A 11	1638 mm	WP-A 11L	1	WP-A 11P	1
001338605	WP-A 12	1788 mm	WP-A 12L	1	WP-A 12P	1
001338606	WP-A 13	1938 mm	WP-A 13L	1	WP-A 13P	1

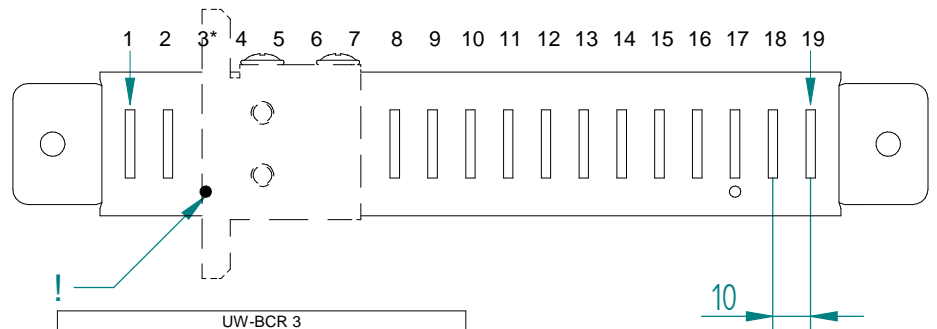


UW-BCU 23



UW-BCU 23			
Position	A	B	C
1	61 mm	216 mm	234 mm
2	81 mm	196 mm	214 mm

UW-BCR 3

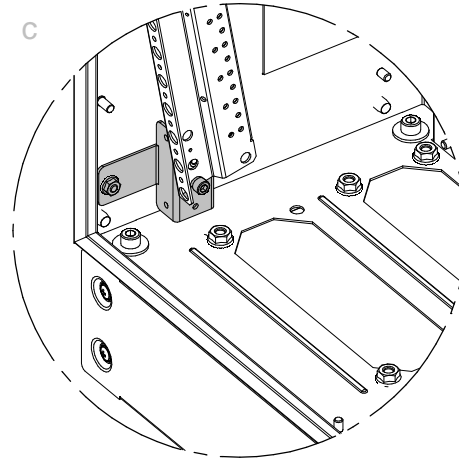
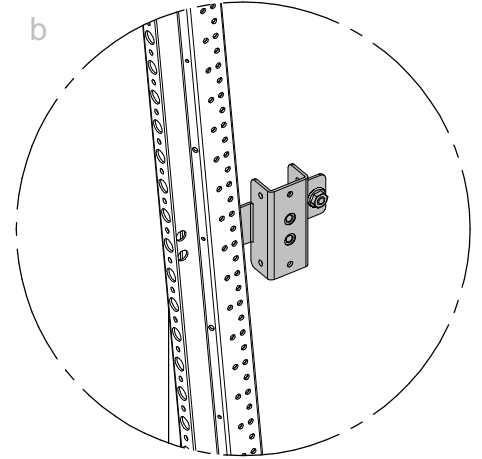
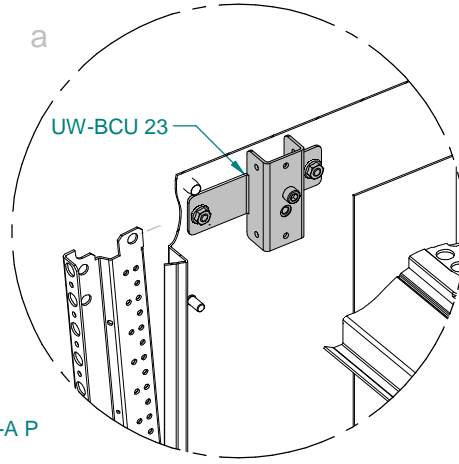
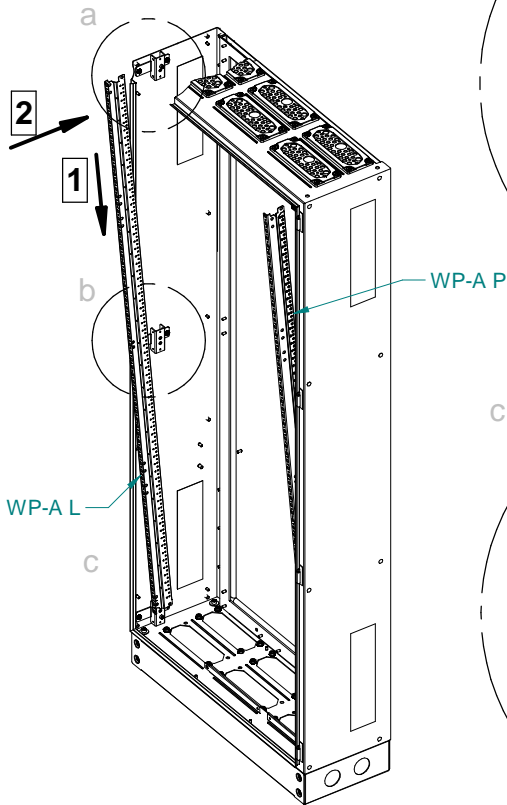


UW-BCR 3			
Position	A	B	C
1	61 mm	216 mm	234 mm
2	71 mm	206 mm	224 mm
3*	81 mm	196 mm	214 mm
4	91 mm	186 mm	204 mm
5	101 mm	176 mm	194 mm
6	111 mm	166 mm	184 mm
7	121 mm	156 mm	174 mm
8	131 mm	146 mm	164 mm
9	141 mm	136 mm	154 mm
10	151 mm	126 mm	144 mm
11	161 mm	116 mm	134 mm
12	171 mm	106 mm	124 mm
13	181 mm	96 mm	114 mm
14	191 mm	86 mm	104 mm
15	201 mm	76 mm	94 mm
16	211 mm	66 mm	84 mm
17	221 mm	56 mm	74 mm
18	231 mm	46 mm	64 mm
19	241 mm	36 mm	54 mm

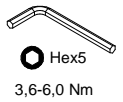
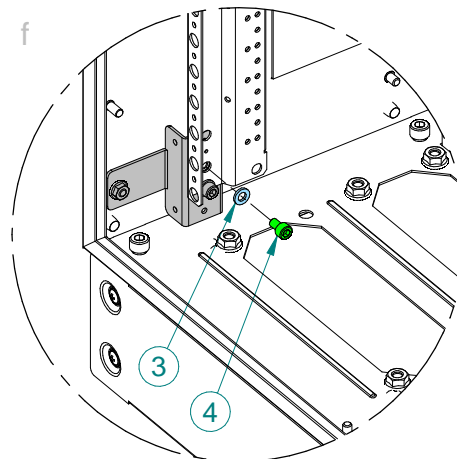
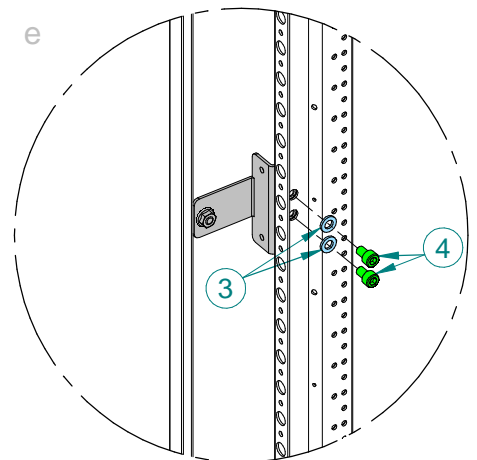
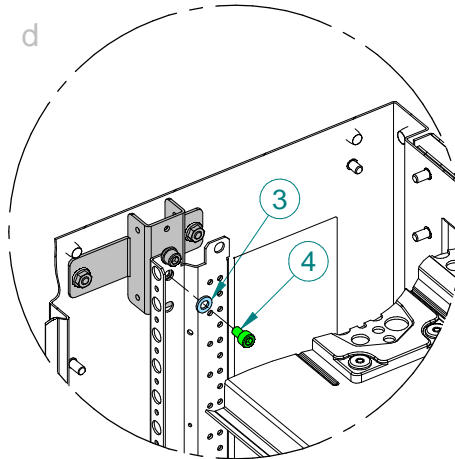
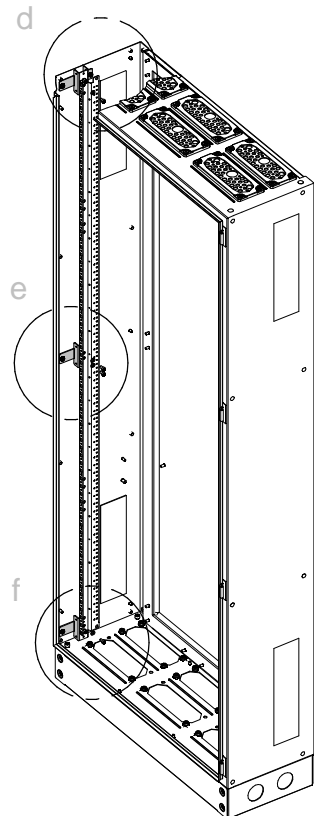
* basic position

1a

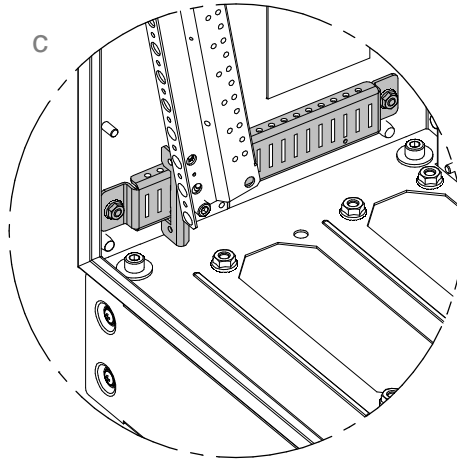
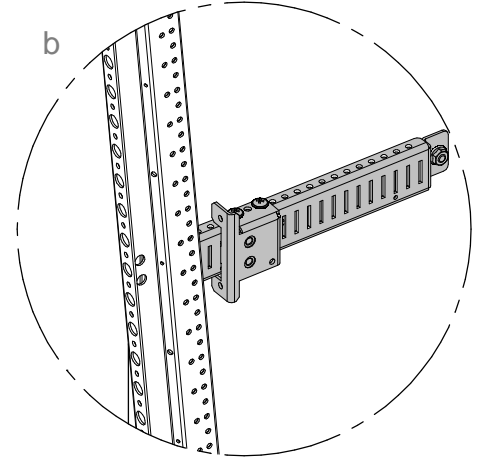
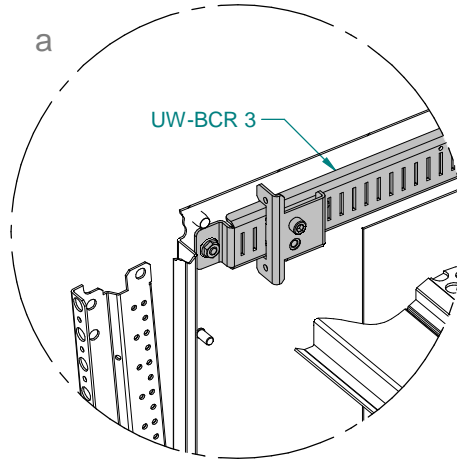
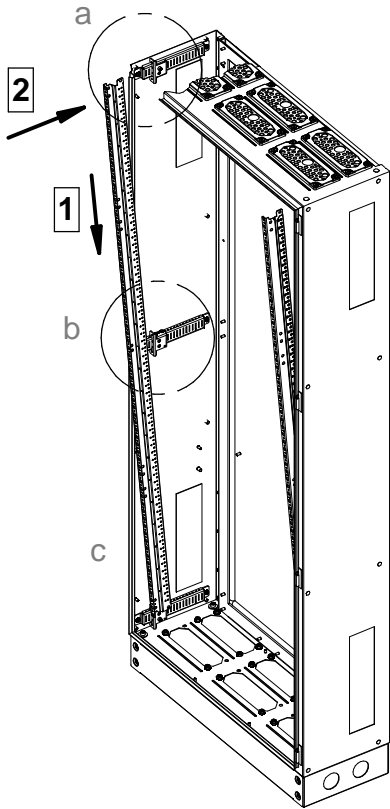
UW-BCU



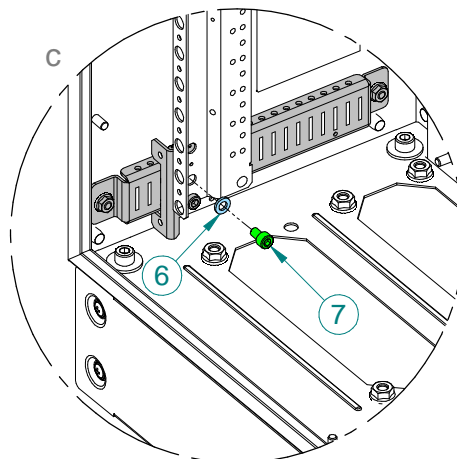
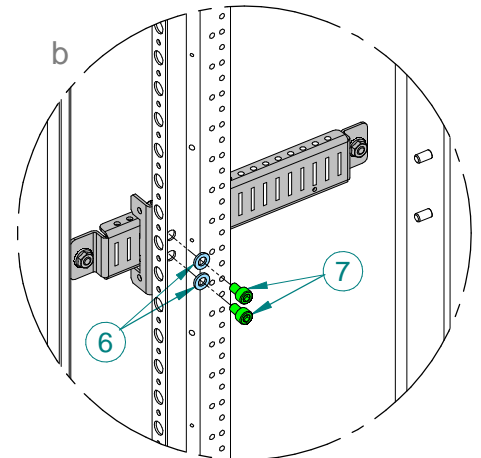
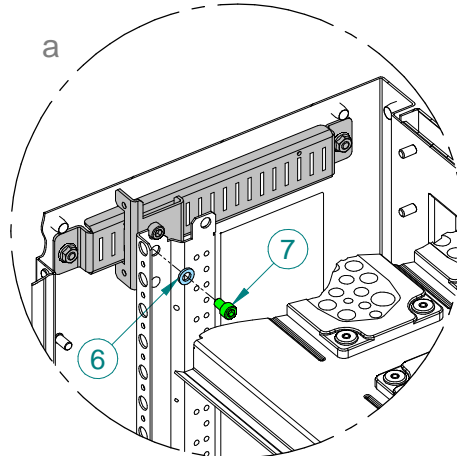
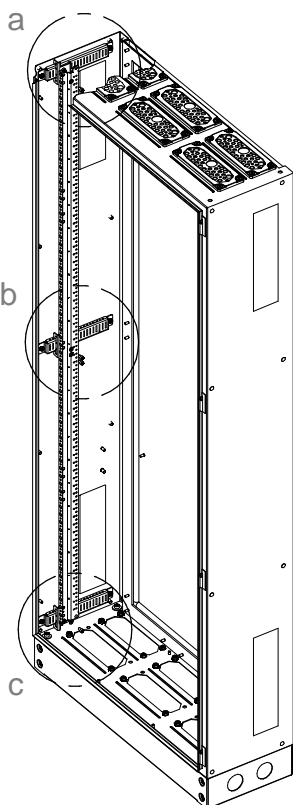
2a



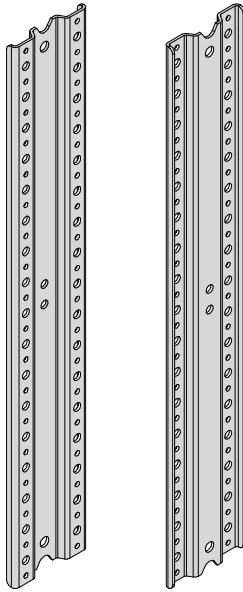
1b UW-BCR



2b



WP-T

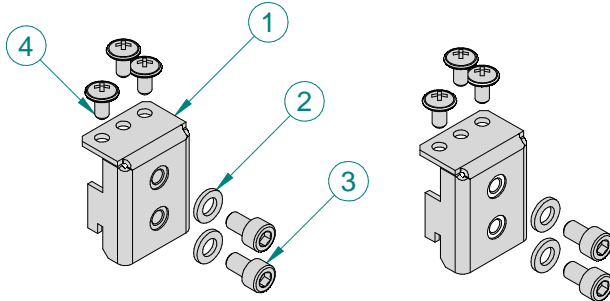


Code No	Type	Y
001338758	WP-T 7	1038 mm
001338764	WP-T 12	1788 mm
001338765	WP-T 13	1938 mm

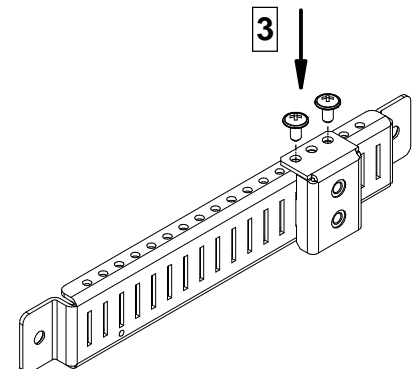
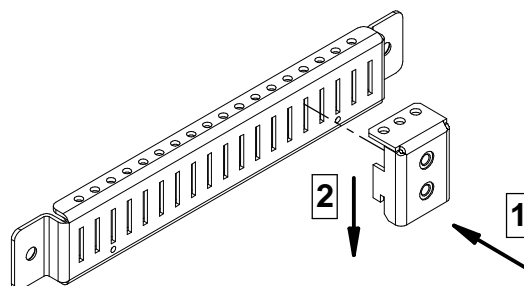
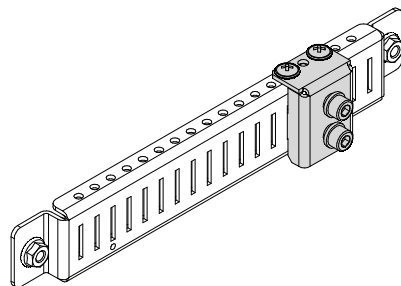
CR-A

001338215

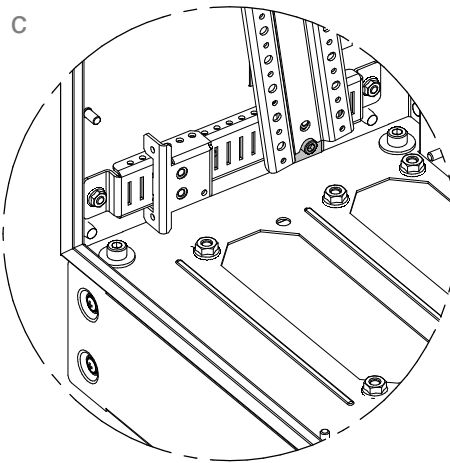
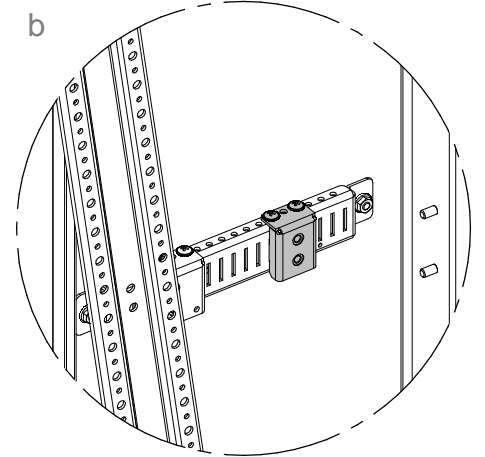
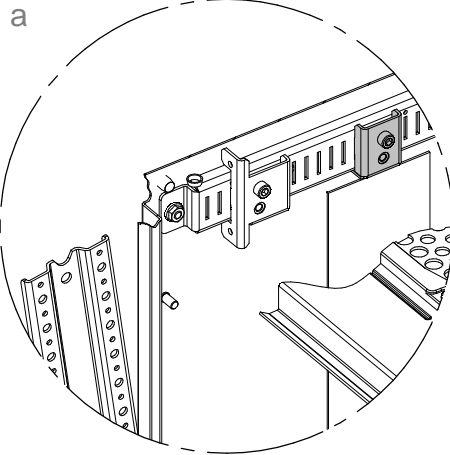
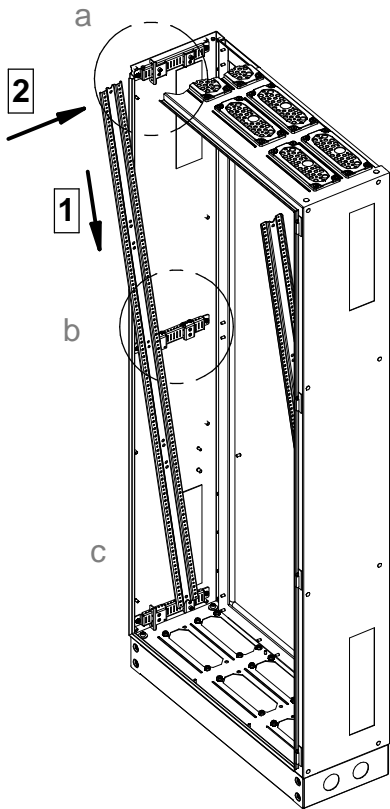
CR-A 001338215			
No.	Type ETI	Name	Pcs.
1	CR-A-C	Holder	2
2	AW-R 6	Washer M6 DIN126 Zn	2
3	AS-SH 6x10	Screw M6x10 DIN912 Zn	4
4	AST 4.8x9.5	Tapping screw	6



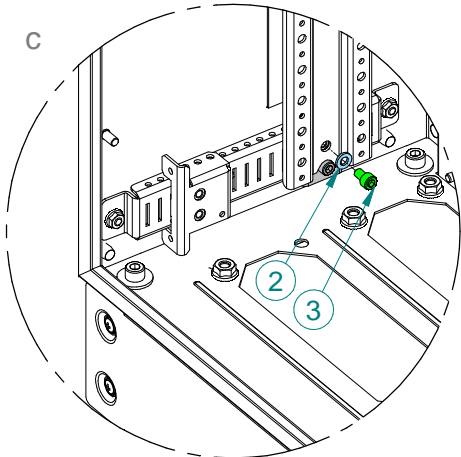
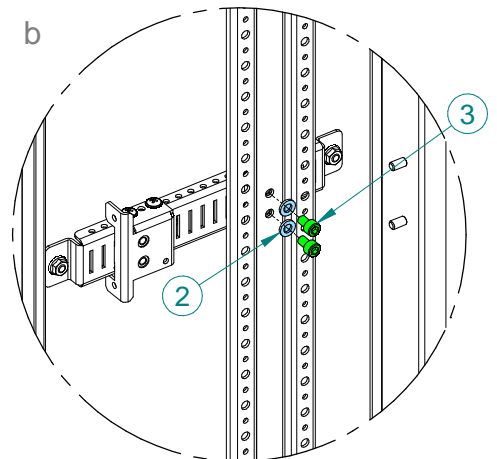
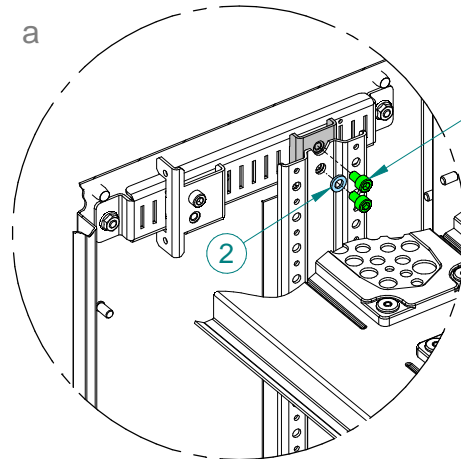
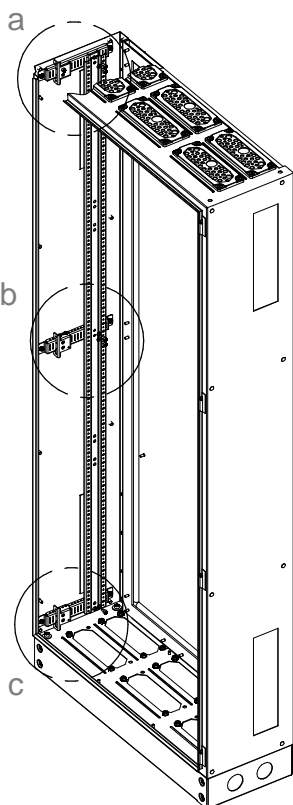
1



2

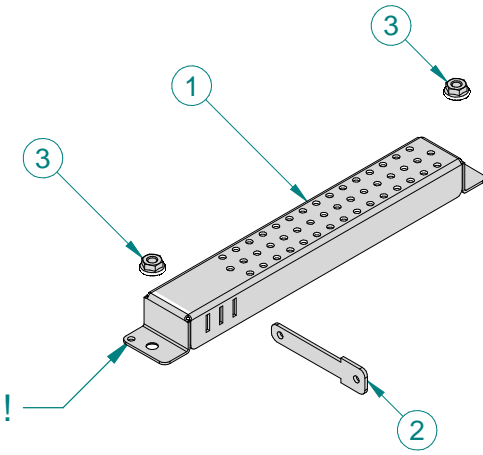


3

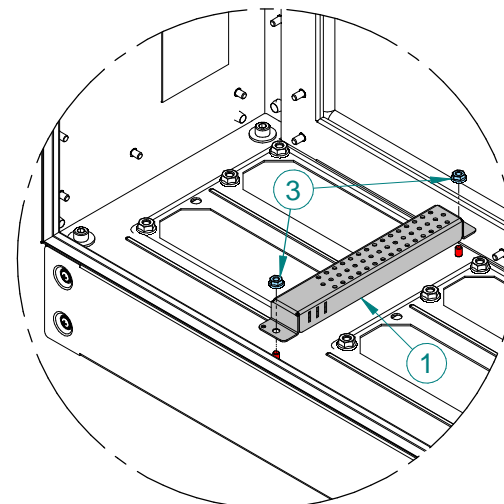
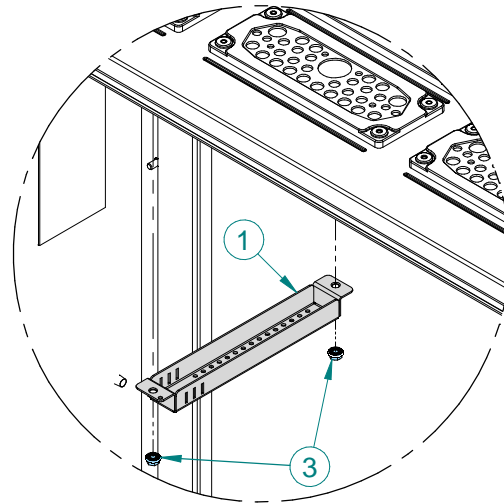
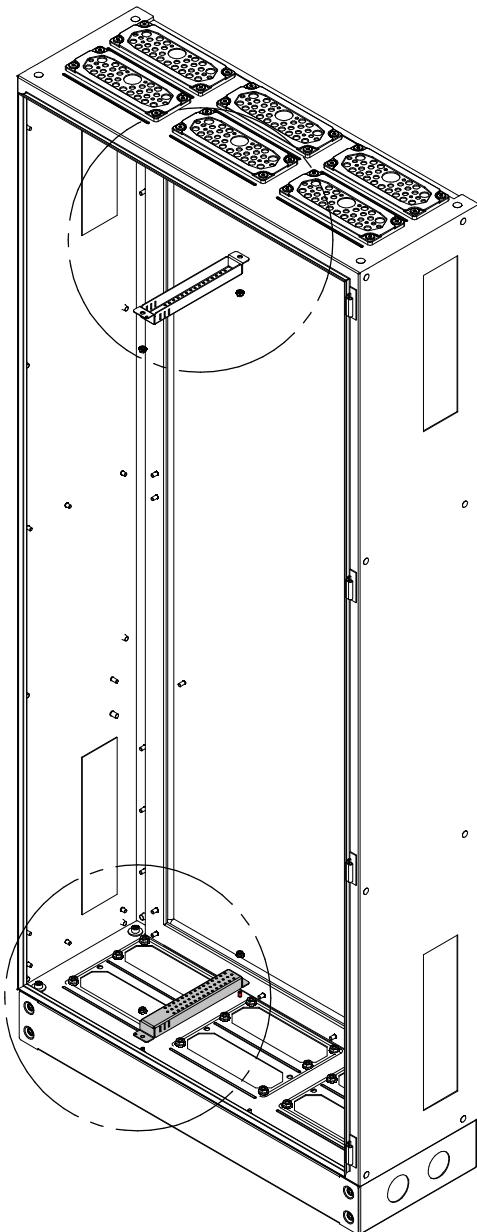


UW-SEP 3

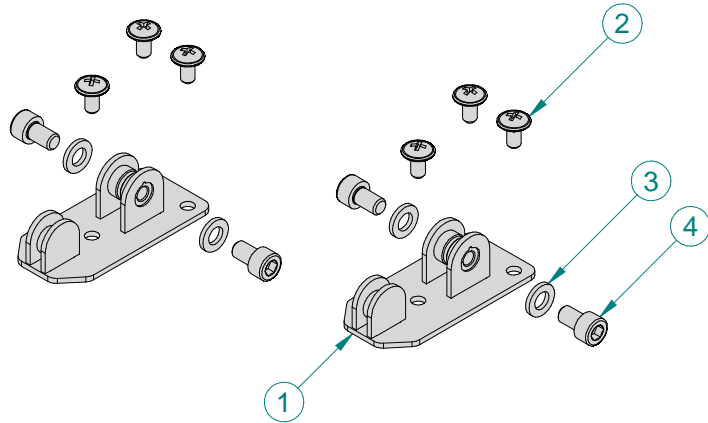
001338302



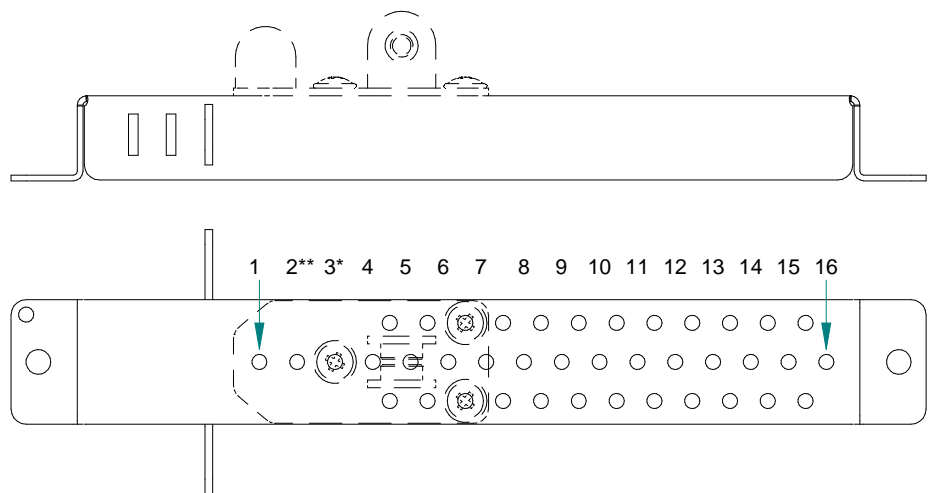
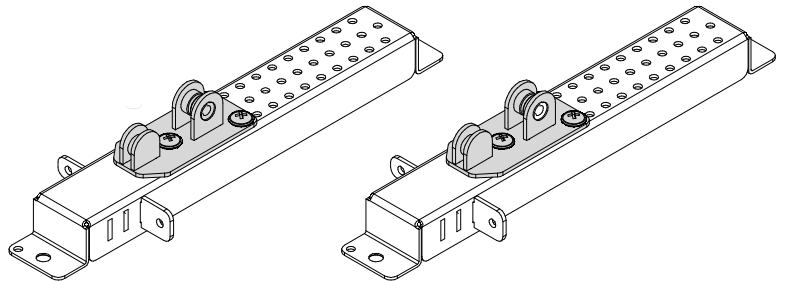
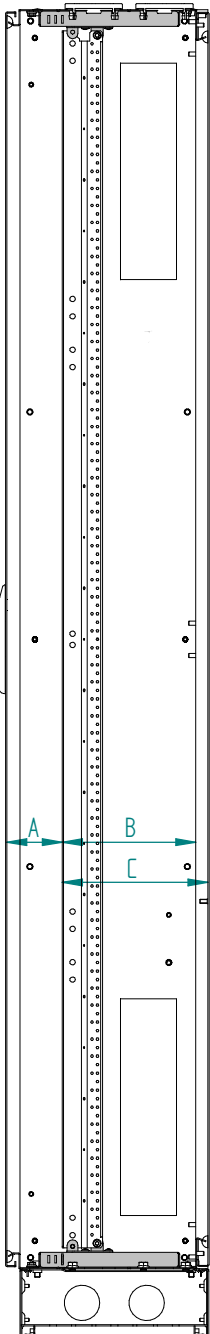
UW-SEP 3 001338302			
No.	Type ETI	Name	Pcs.
1	UW-SEP-3-C	Holder	1
2	EP-CP	Holder	1
3	AN-FSH 6	Nut flange serrat DIN6923 Zn	2



EP-W 001101677



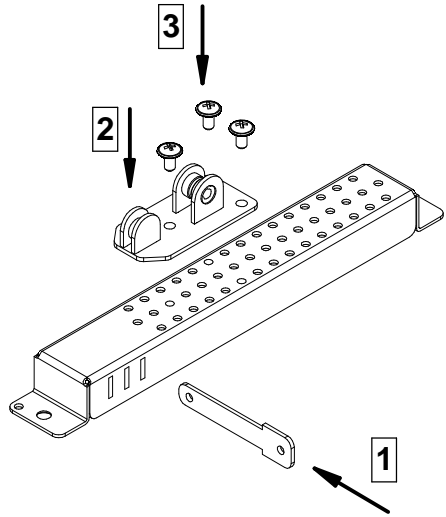
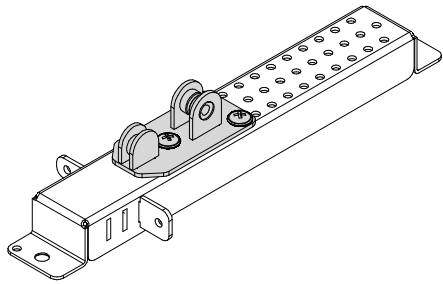
EP-W 001101677			
No.	Type ETI	Name	Pcs.
1	EP-W-C	Support	2
2	AST 4.8x9.5	Tapping screw	6
3	AW-R 6	Washer M6 DIN126 Zn	4
4	AS-SH 6x10	Screw M6x10 DIN912 Zn	4



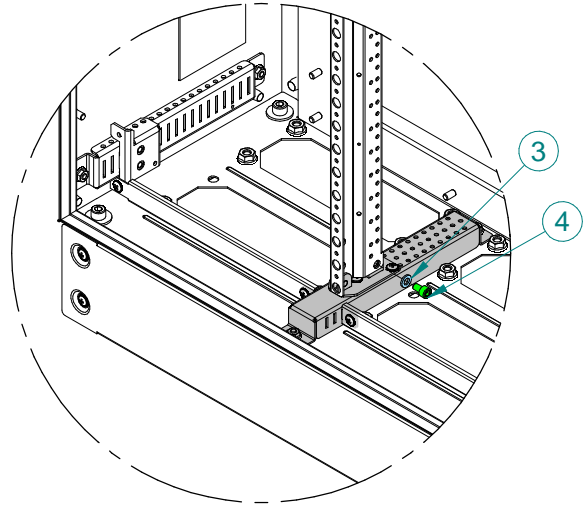
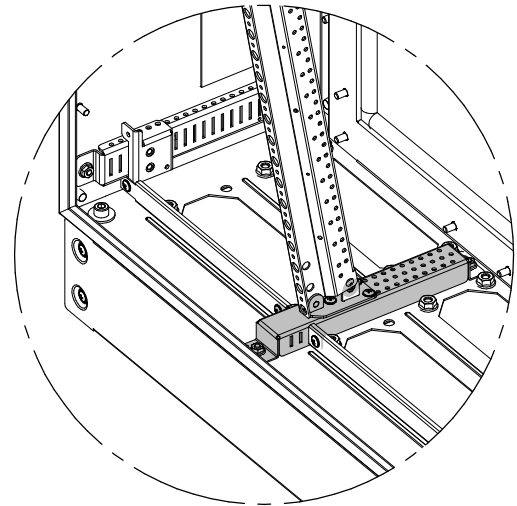
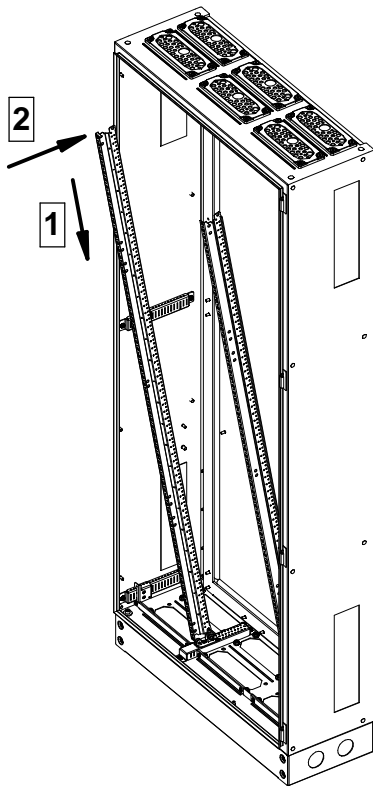
Position	A	B	C
1	61 mm	216 mm	234 mm
2	71 mm	206 mm	224 mm
3*	81 mm	196 mm	214 mm
4	91 mm	186 mm	204 mm
5	101 mm	176 mm	194 mm
6	111 mm	166 mm	184 mm
7	121 mm	156 mm	174 mm

* basic position

1

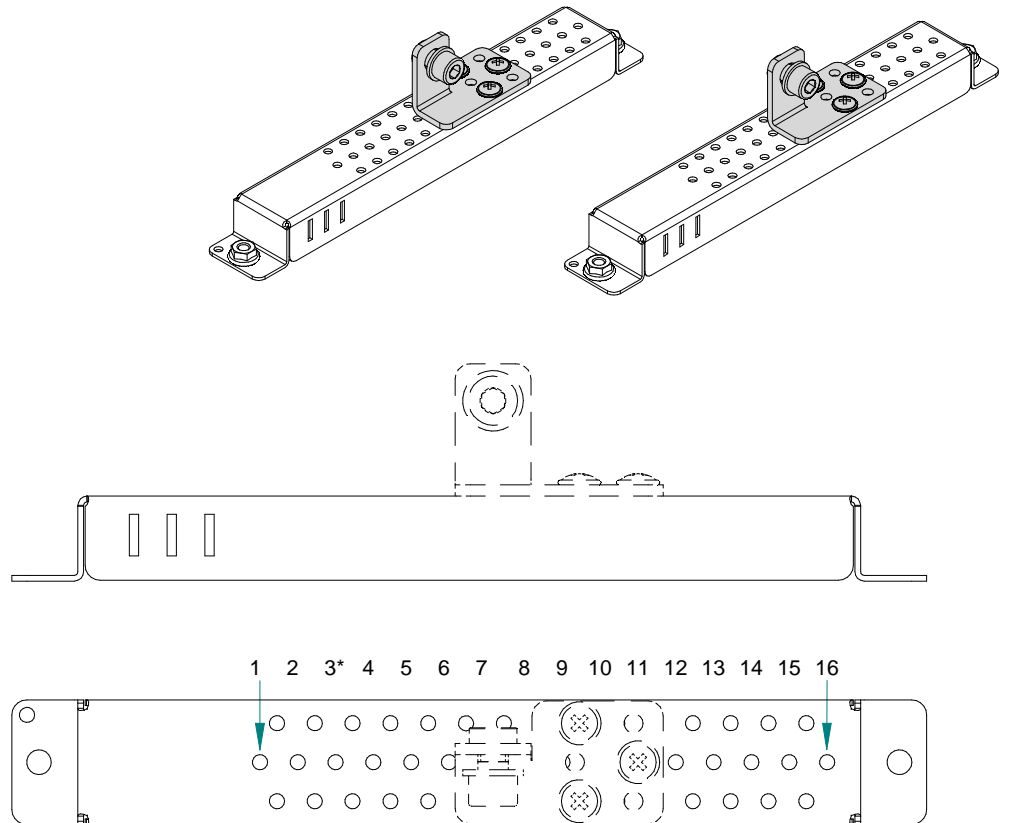
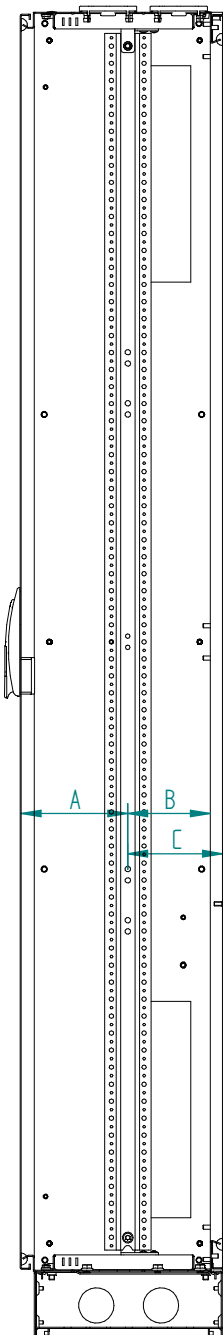
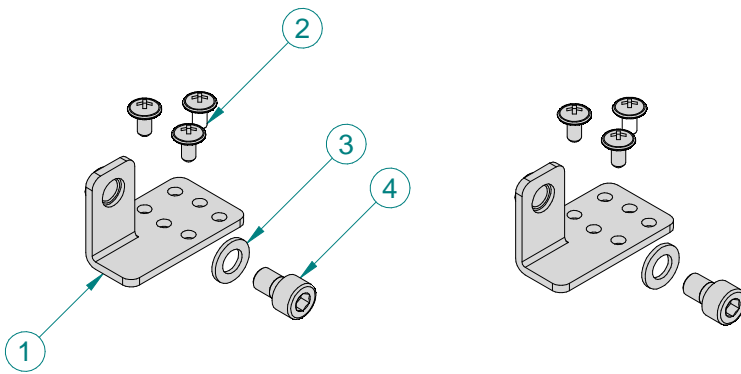


2



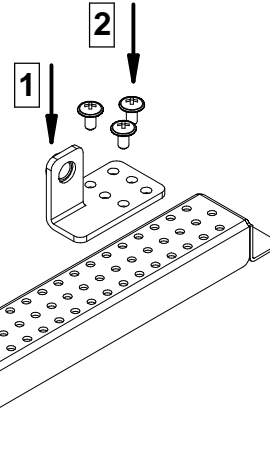
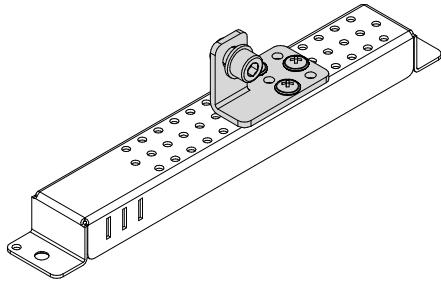
EP-A 001338306

EP-A 001338306			
No.	Type ETI	Name	Pcs.
1	EP-A-C	Support	2
2	AST 4.8x9.5	Tapping screw	6
3	AW-R 8	Washer M8 DIN126 Zn	2
4	AS-SH 8x16	Screw M8x16 DIN912 Zn	2

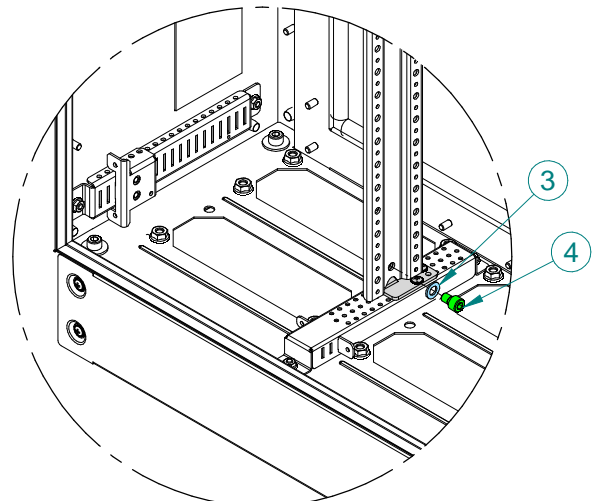
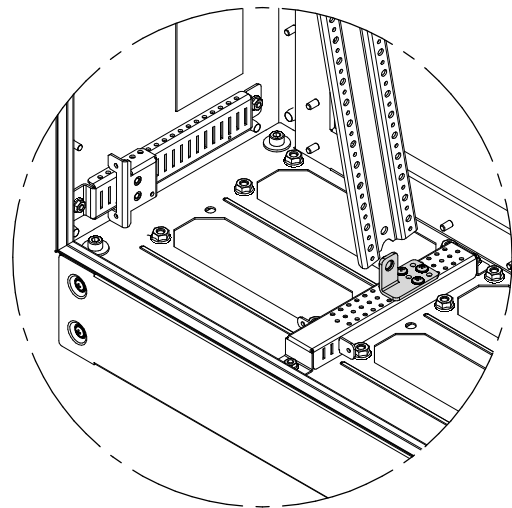
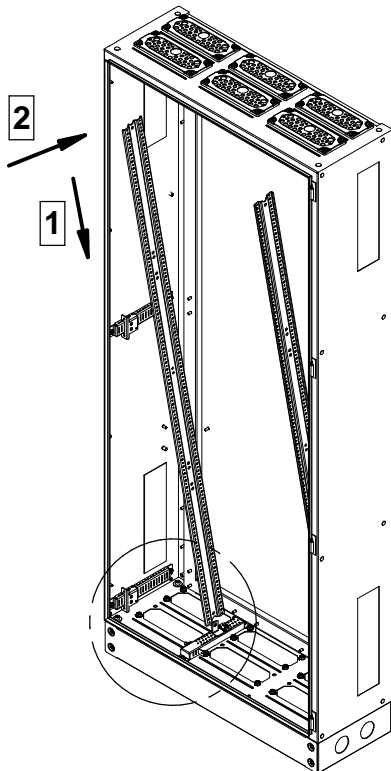


HXS300			
Position	A	B	C
1	--	--	--
2	--	--	--
3*	76 mm	201 mm	219 mm
4	86 mm	191 mm	209 mm
5	96 mm	181 mm	199 mm
6	106 mm	171 mm	189 mm
7	116 mm	161 mm	179 mm
8	126 mm	151 mm	169 mm
9	136 mm	141 mm	159 mm
10	146 mm	131 mm	149 mm
11	156 mm	121 mm	139 mm
12	166 mm	111 mm	129 mm
13	176 mm	101 mm	119 mm
14	186 mm	91 mm	109 mm
15	196 mm	81 mm	99 mm
16	206 mm	71 mm	89 mm
17	216 mm	61 mm	79 mm
18	226 mm	51 mm	69 mm
19	236 mm	41 mm	59 mm

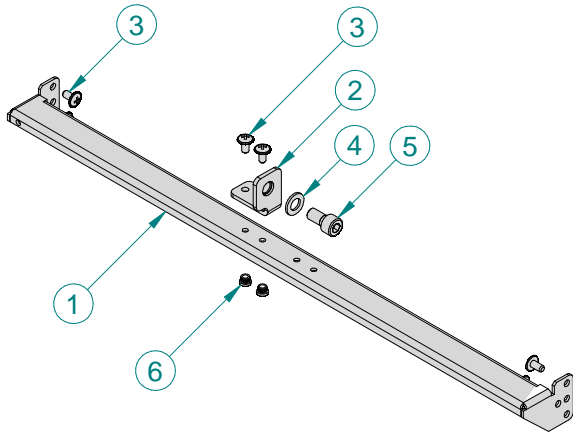
1



2

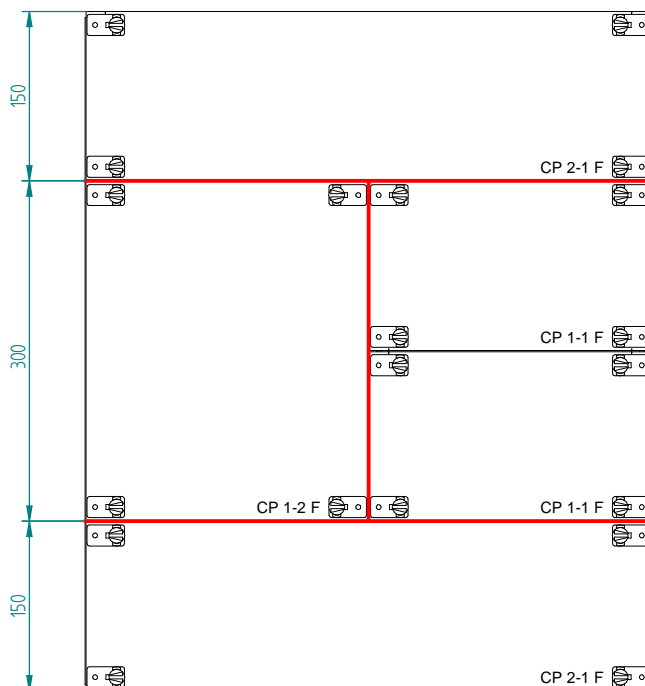
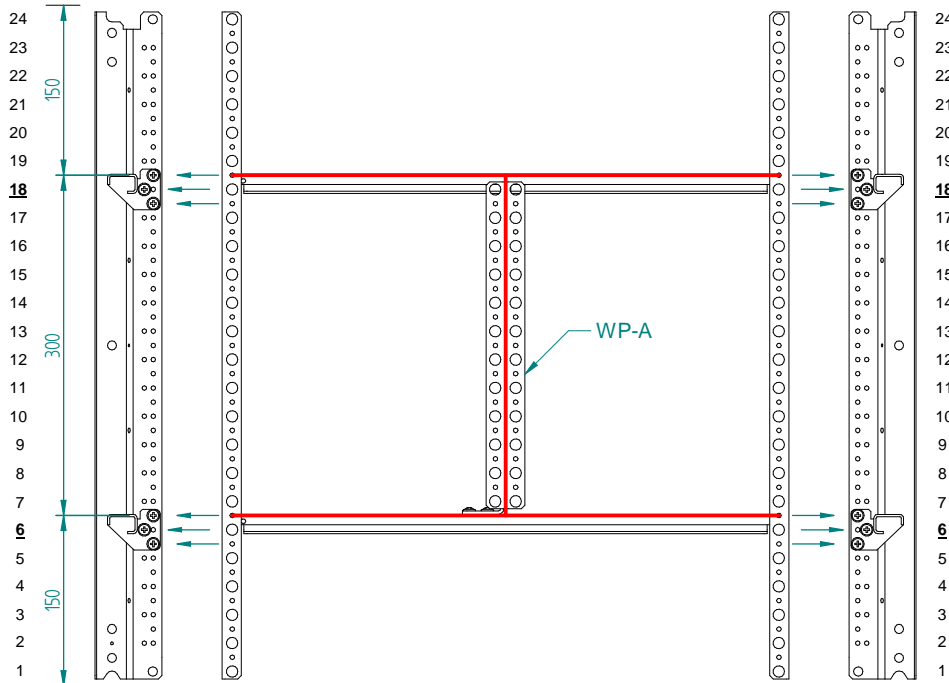


BL-WP

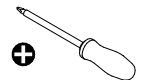
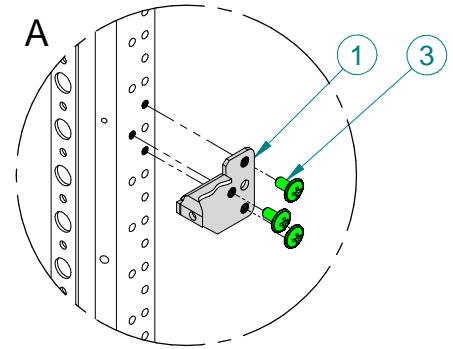
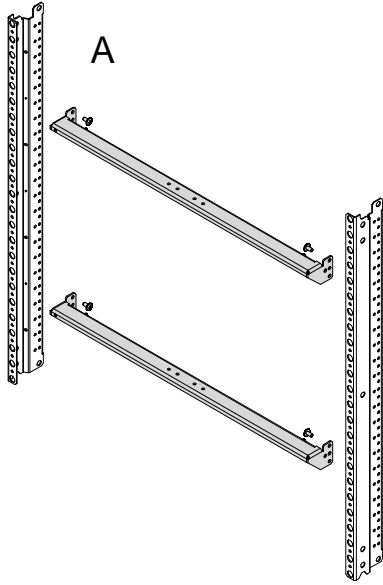


BL-WP 2 001338900			
No.	Type ETI	Name	Pcs.
1	BL-WP-2-C	Support	1
2	BL-EP	Support	1
3	AST 4.8x9.5	Tapping screw	8
4	AW-R 8	Washer M6 DIN126 Zn	1
5	AS-SH 8x12	Screw M8x12 DIN912 Zn	1
6	BP-6	Rubber plug	2

BL-WP 3 001338901			
No.	Type ETI	Name	Pcs.
1	BL-WP-3-C	Support	1
2	BL-EP	Support	2
3	AST 4.8x9.5	Tapping screw	10
4	AW-R 8	Washer M6 DIN126 Zn	2
5	AS-SH 8x12	Screw M8x12 DIN912 Zn	2
6	BP-6	Rubber plug	4



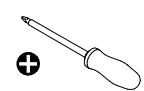
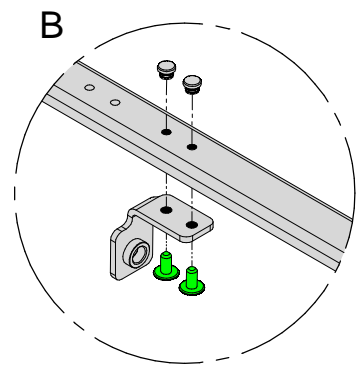
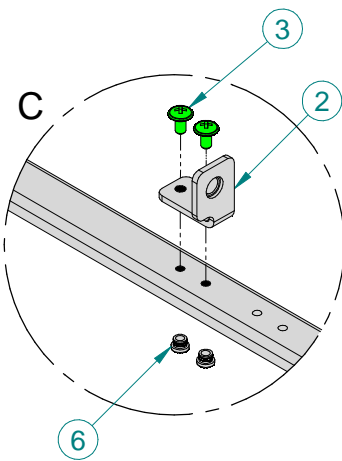
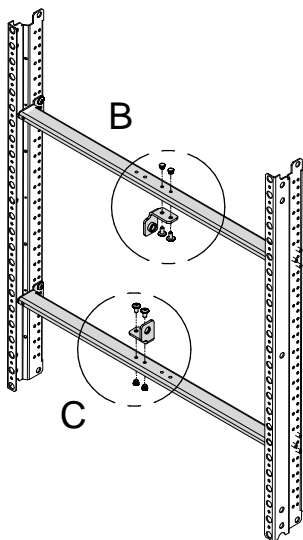
1



Screwdriver PH2
(Wkręтак PH2)

2	AST 4.8x9.5	3.0-3.4 Nm
---	-------------	------------

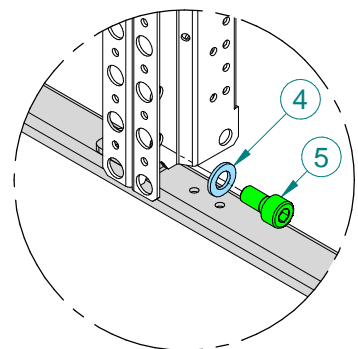
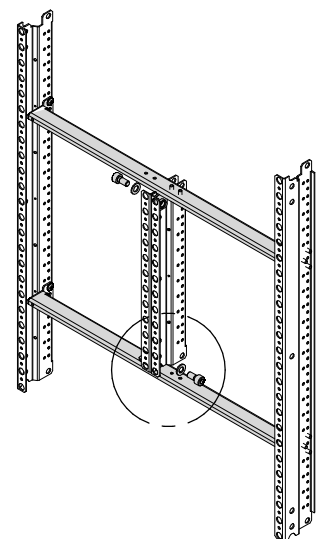
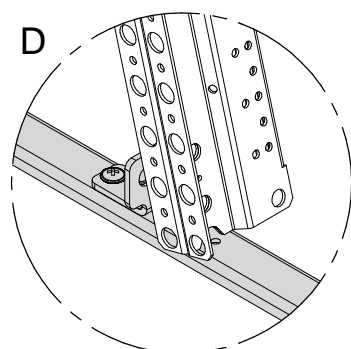
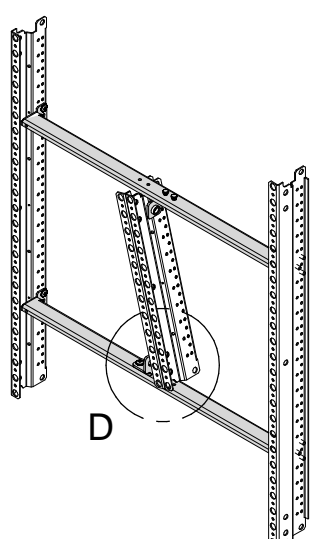
2



Screwdriver PH2
(Wkręтак PH2)

2	AST 4.8x9.5	3.0-3.4 Nm
---	-------------	------------

3

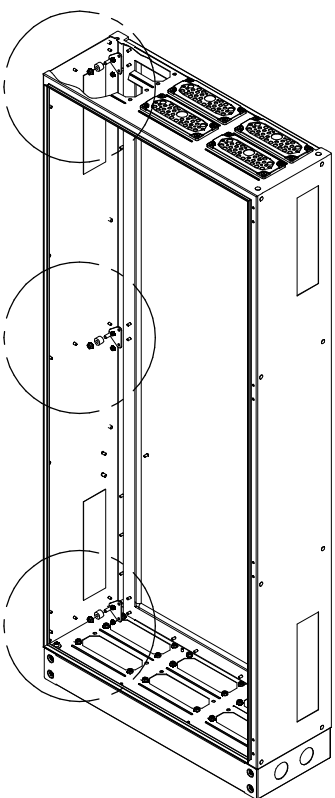
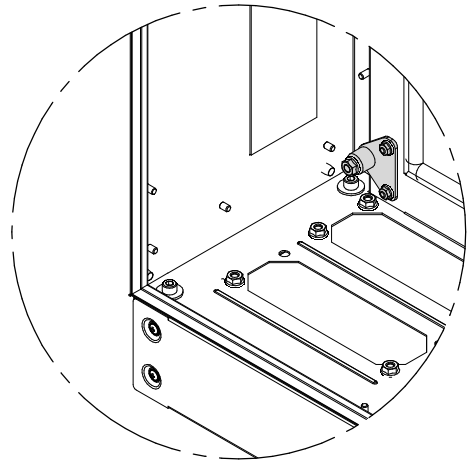
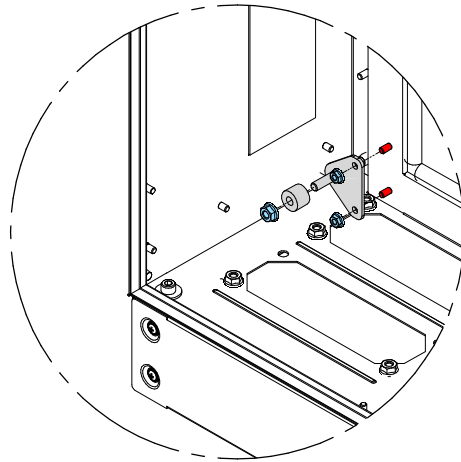
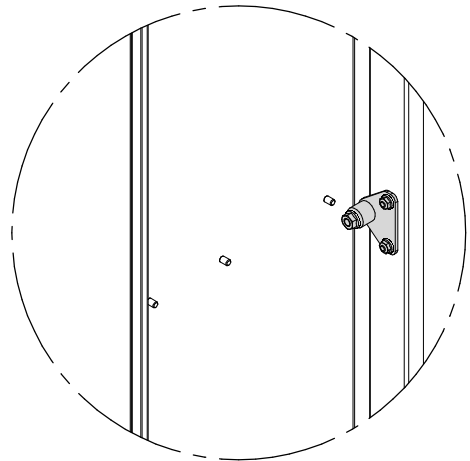
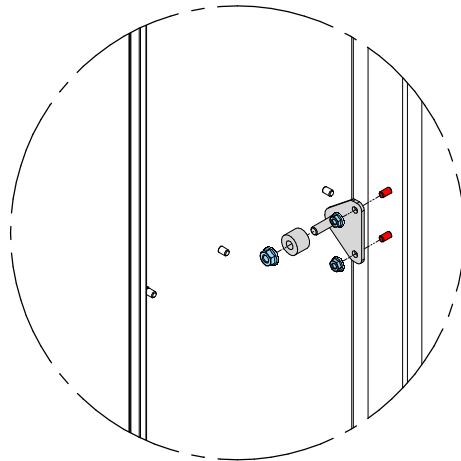
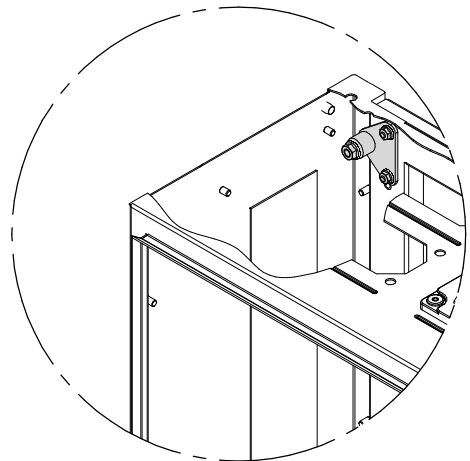
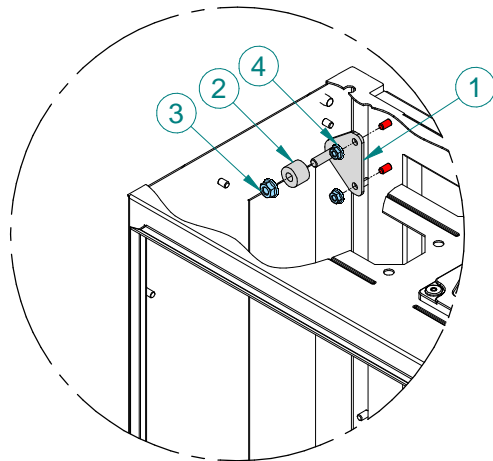
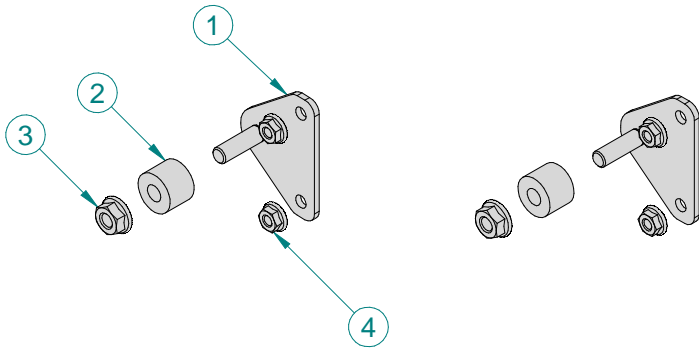


Hex5
(Klucz imbusowy 6)

4	AS-SH 8x16	- Nm
---	------------	------

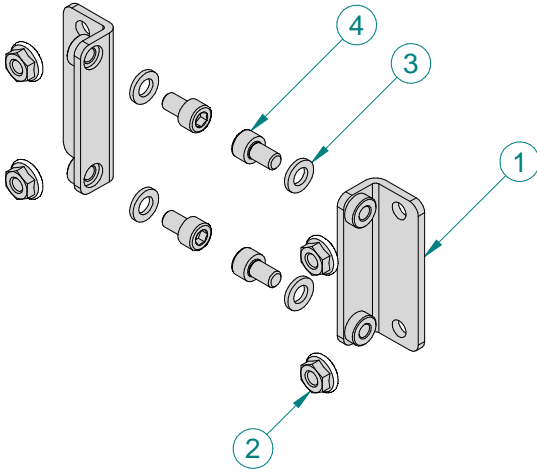
UA-B 001338102

UA-B 001338102			
No.	Type ETI	Name	Pcs.
1	UA-B-C	Holder	2
3	TU-D20-d8-15	Spacer roll	2
4	AN-FSH 8	Nut flange serrat DIN6923 Zn	2
2	AN-FSH 6	Nut flange serrat DIN6923 Zn	4

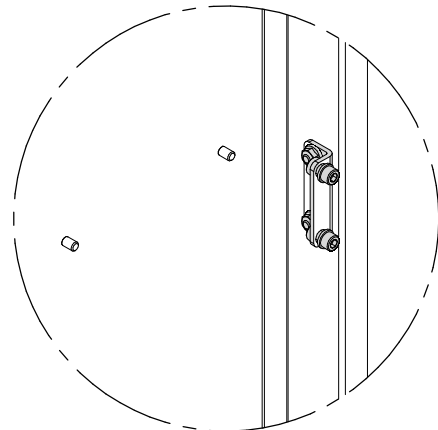
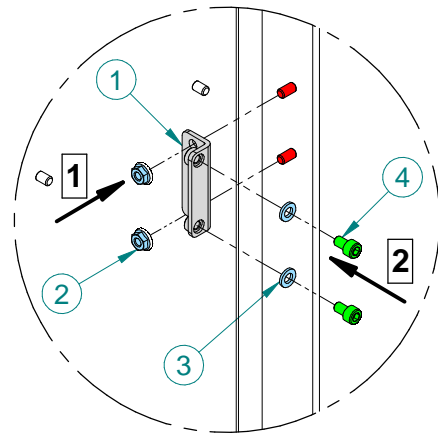
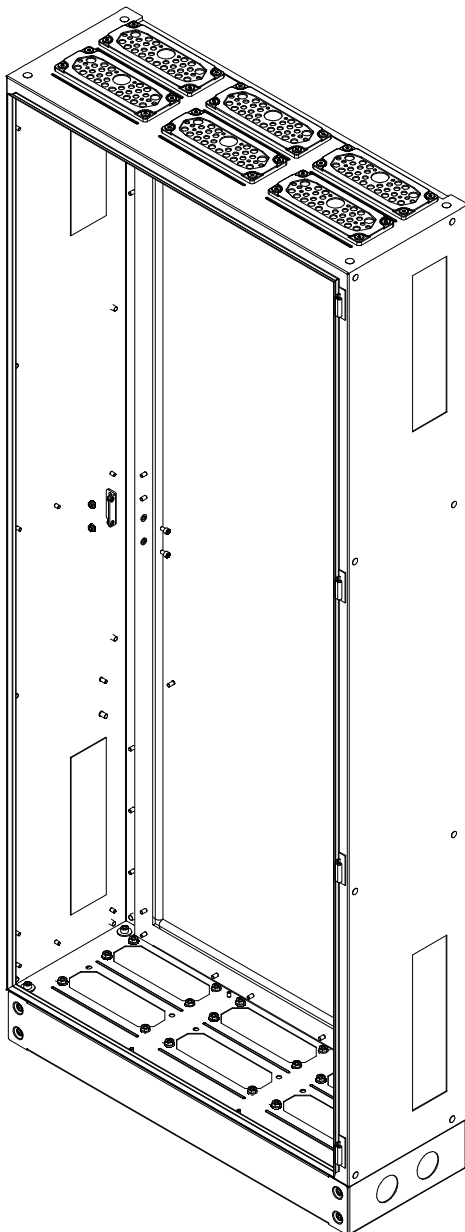


UA-B-WD

001338103



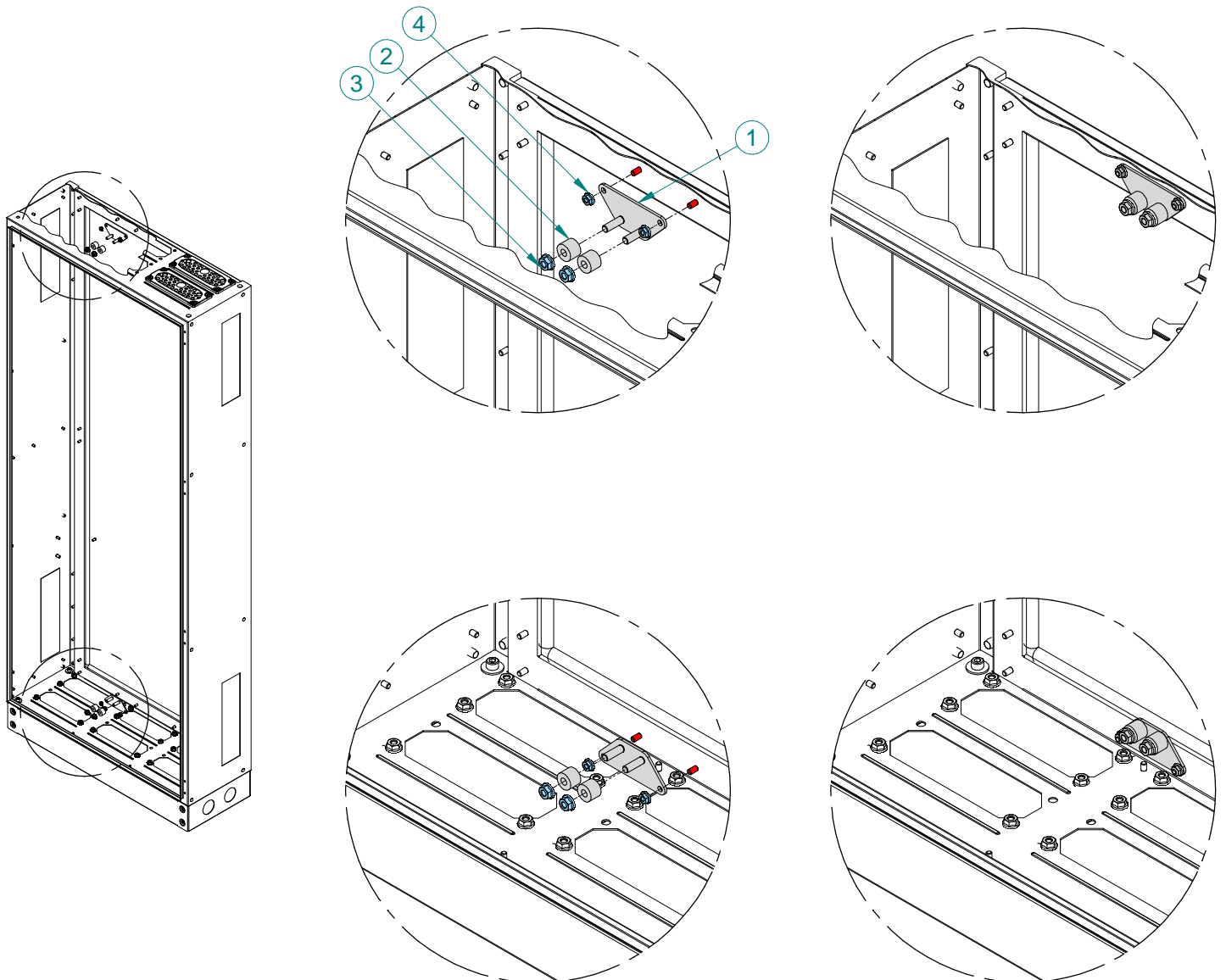
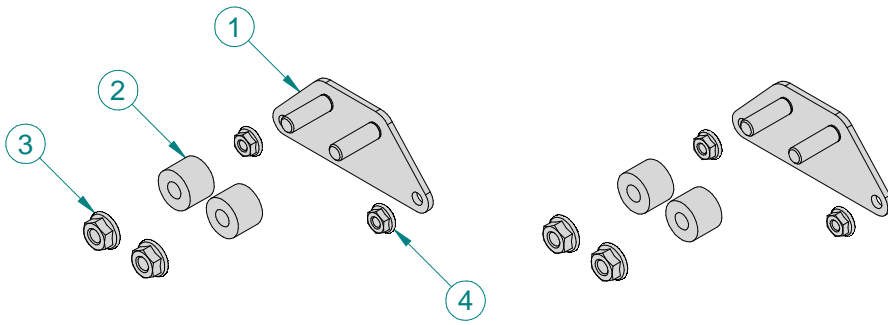
UA-B-WD 001338103			
No.	Type ETI	Name	Pcs.
1	UA-B-WD-C	Holder	2
2	AN-FSH 6	Nut flange serrat DIN6923 Zn	4
3	AW-R 6	Washer M6 DIN126 Zn	4
4	AS-SH 6x10	Screw M6x10 DIN912 Zn	4



UA-S

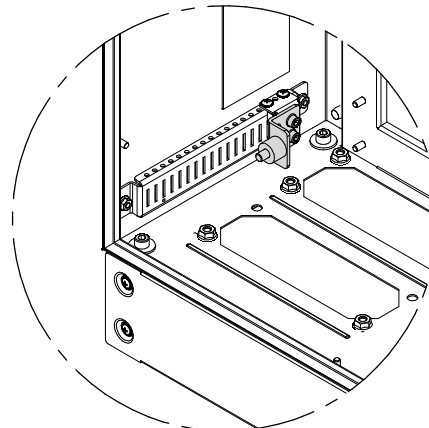
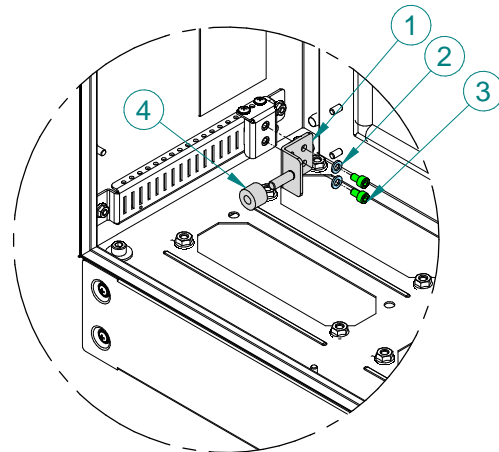
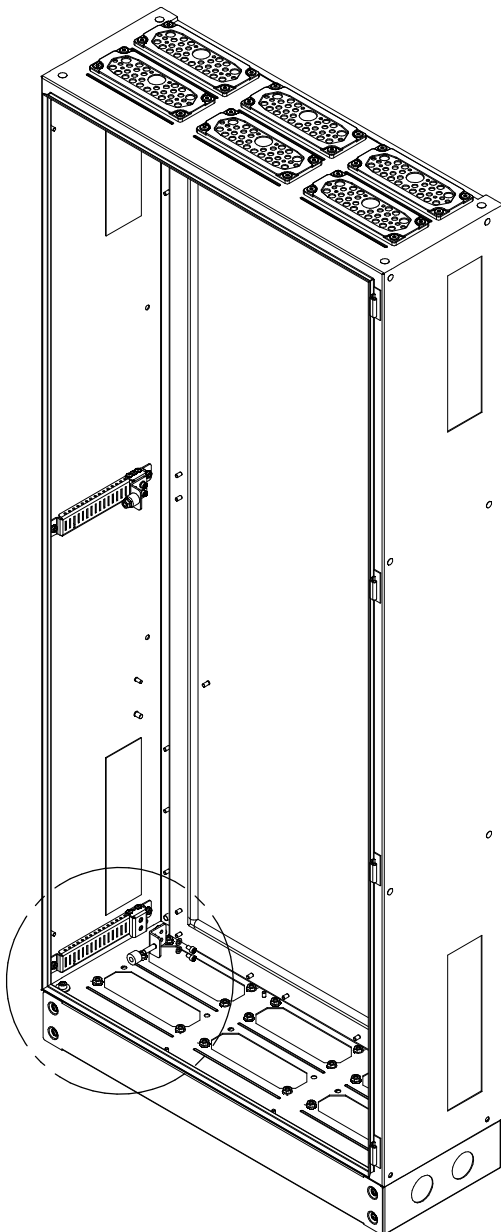
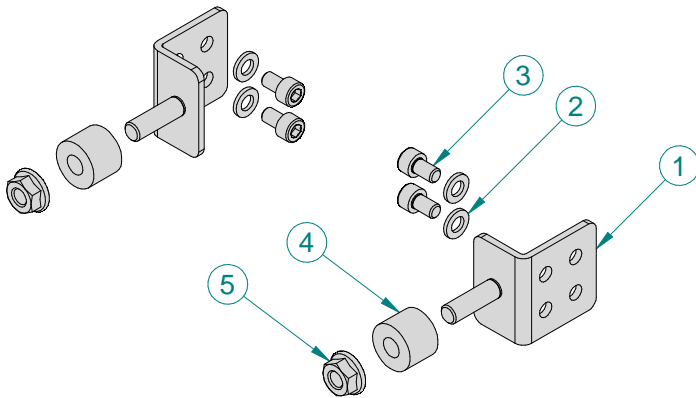
001338104

UA-S 001338104			
No.	Type ETI	Name	Pcs.
1	UA-S-C	Holder	2
3	TU-D20-d8-15	Spacer roll	4
4	AN-FSH 8	Nut flange serrat DIN6923 Zn	2
2	AN-FSH 6	Nut flange serrat DIN6923 Zn	4



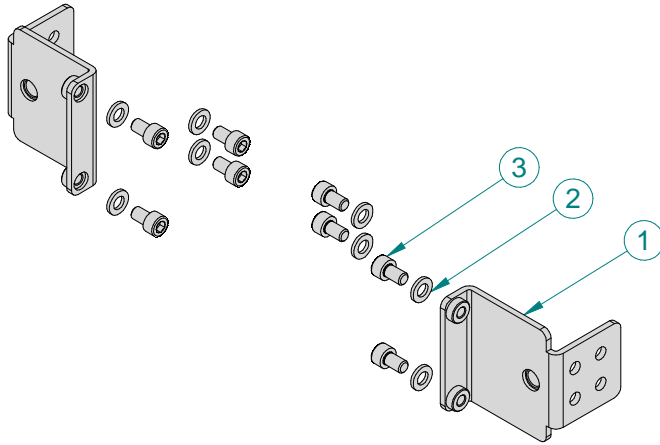
UR-B 001338115

UR-B 001338115			
No.	Type ETI	Name	Pcs.
1	UR-B-C	Holder	2
2	AW-R 6	Washer M6 DIN126 Zn	4
3	AS-SH 6x10	Screw M6x10 DIN912 Zn	4
4	TU-D20-d8-15	Spacer roll	2
5	AN-FSH 8	Nut flange serrat DIN6923 Zn	2



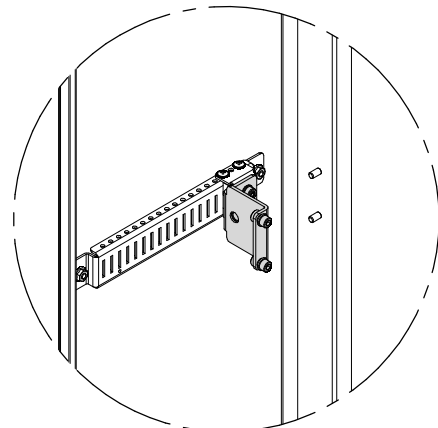
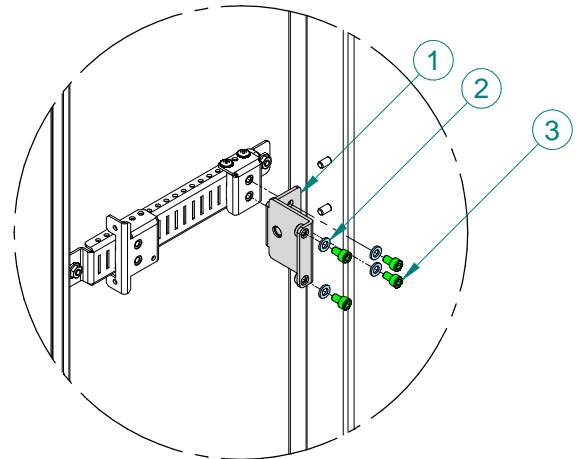
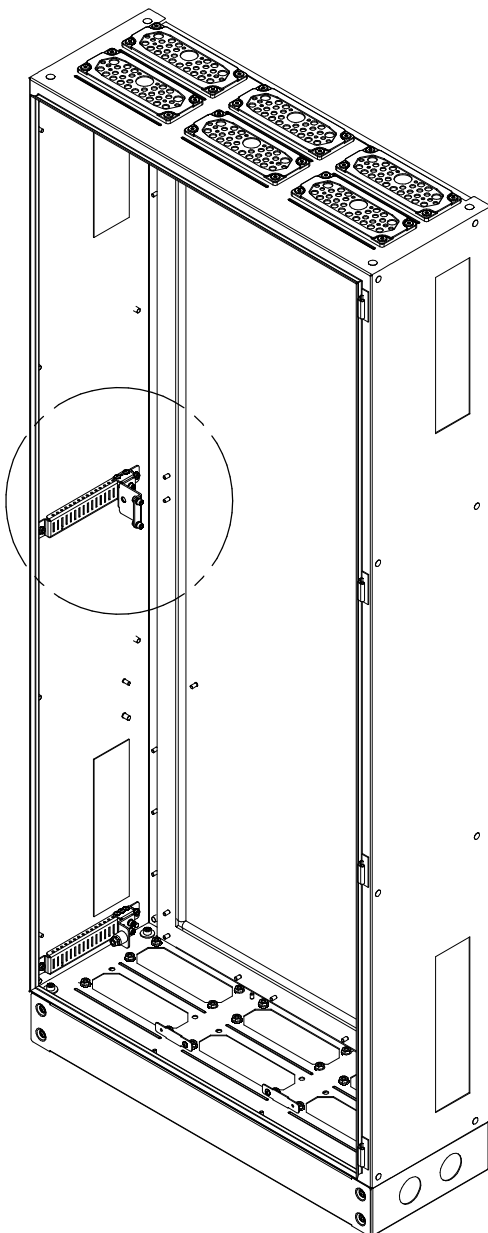
UR-B-WD

001338116



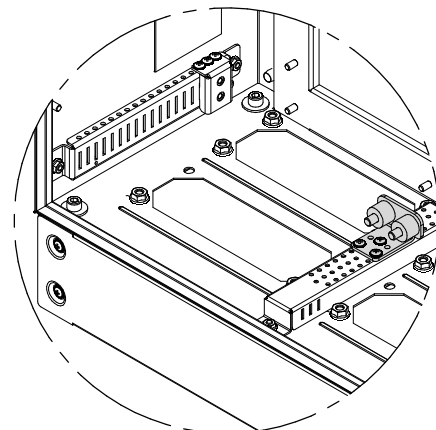
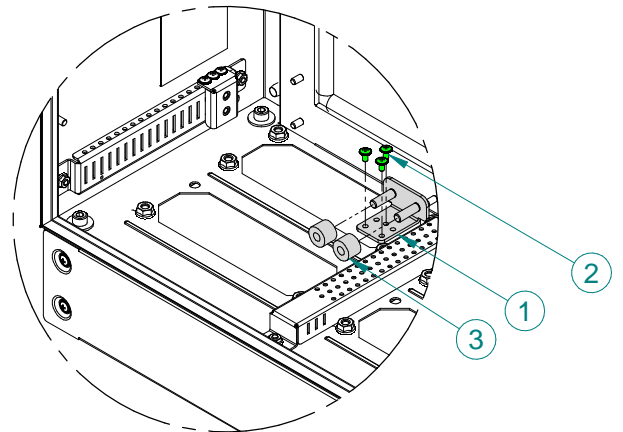
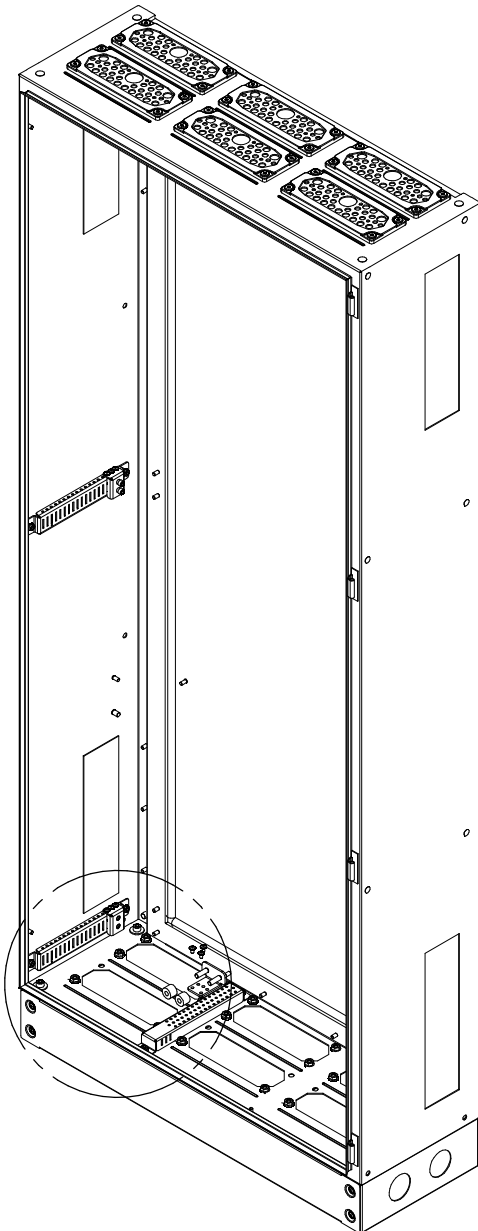
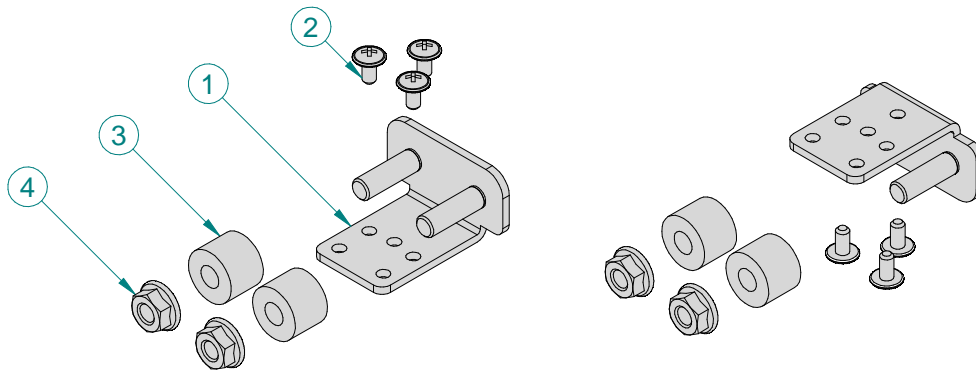
UR-B-WD 001338116			
No.	Type ETI	Name	Pcs.
1	UR-B-WD-C	Holder	2
2	AW-R 6	Washer M6 DIN126 Zn	8
3	AS-SH 6x10	Screw M6x10 DIN912 Zn	8

1

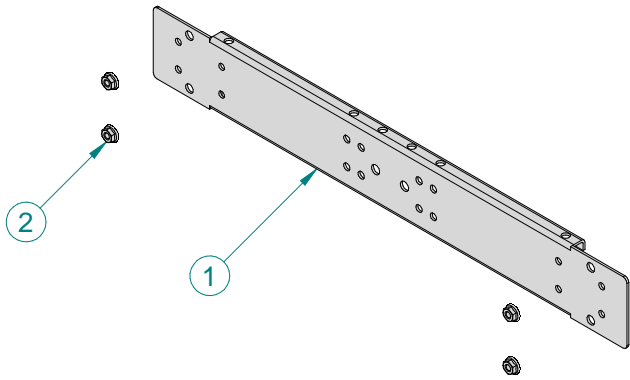


UR-S 001338117

UR-S 001338117			
No.	Type ETI	Name	Pcs.
1	UR-S-C	Holder	2
2	AST 4.8x9.5	Tapping screw	6
3	TU-D20-d8-15	Spacer roll	4
4	AN-FSH 8	Nut flange serrat DIN6923 Zn	4

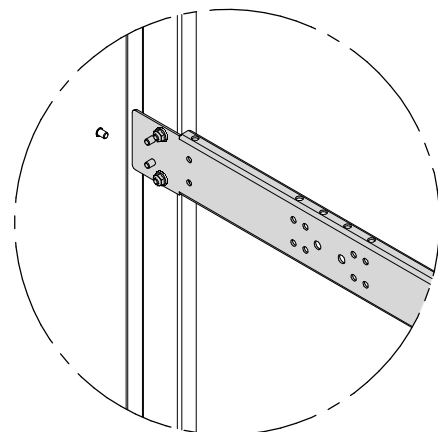
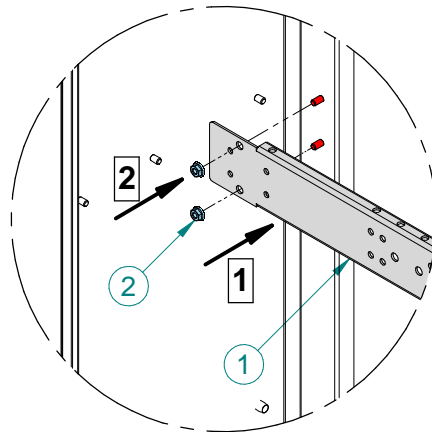
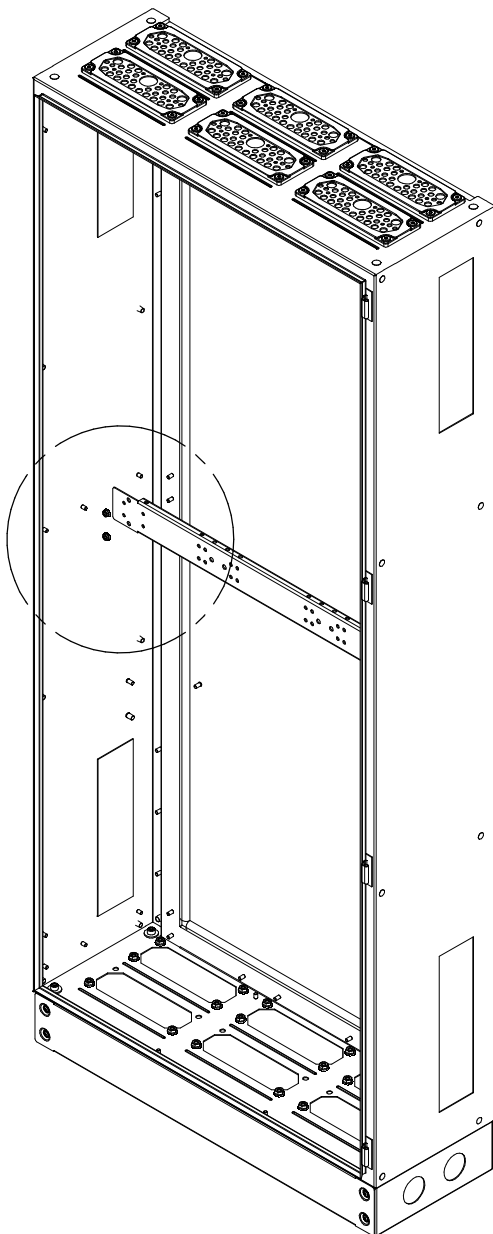


BL-UA

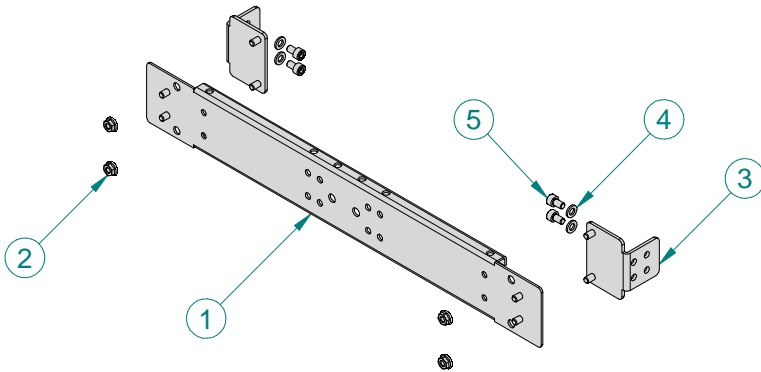


BL-UA 2 001338130			
No.	Type ETI	Name	Pcs.
1	BL-UA-2-C	Stiffening bars	1
2	AN-FSH 6	Nut flange serrat DIN6923 Zn	2

BL-UA 3 001338131			
No.	Type ETI	Name	Pcs.
1	BL-UA-3-C	Stiffening bars	1
2	AN-FSH 6	Nut flange serrat DIN6923 Zn	2



BL-UR

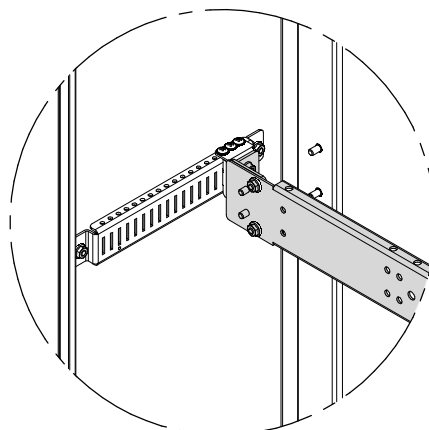
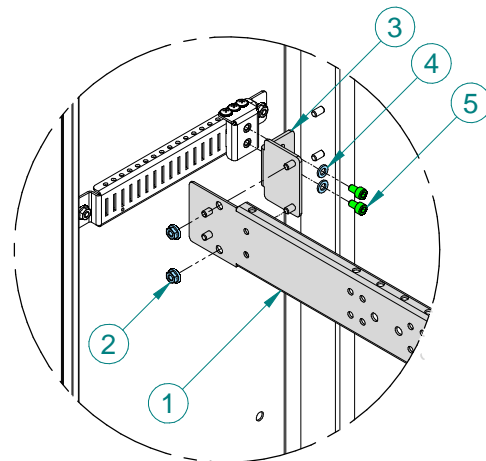
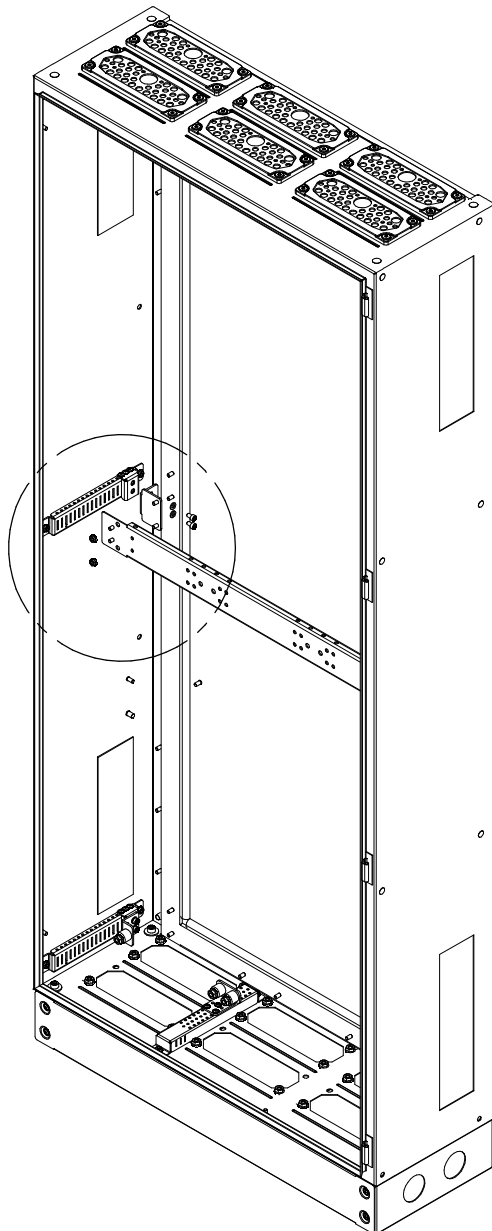


BL-UR 2 001338145			
No.	Type ETI	Name	Pcs.
1	BL-UA-2-C	Stiffening bars	1
2	AN-FSH 6	Nut flange serrat DIN6923 Zn	4
3	L-BL-U	Holder	2
4	AW-R 6	Washer M6 DIN126 Zn	4
5	AS-SH 6x10	Screw M6x10 DIN912 Zn	4

BL-UR 3 001338146			
No.	Type ETI	Name	Pcs.
1	BL-UA-3-C	Stiffening bars	1
2	AN-FSH 6	Nut flange serrat DIN6923 Zn	4
3	L-BL-U	Holder	2
4	AW-R 6	Washer M6 DIN126 Zn	4
5	AS-SH 6x10	Screw M6x10 DIN912 Zn	4

BL-UR 4 001338147			
No.	Type ETI	Name	Pcs.
1	BL-UA-4-C	Stiffening bars	1
2	AN-FSH 6	Nut flange serrat DIN6923 Zn	4
3	L-BL-U	Holder	2
4	AW-R 6	Washer M6 DIN126 Zn	4
5	AS-SH 6x10	Screw M6x10 DIN912 Zn	4

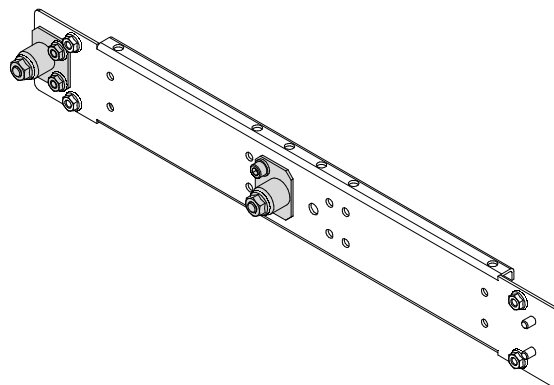
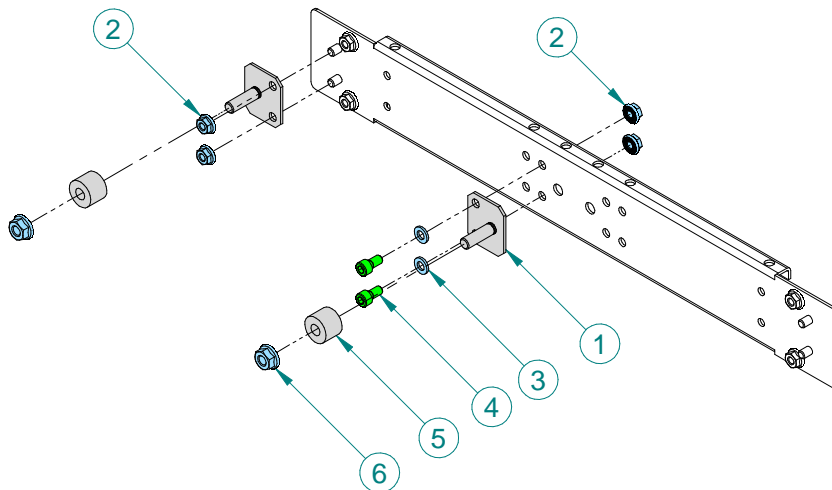
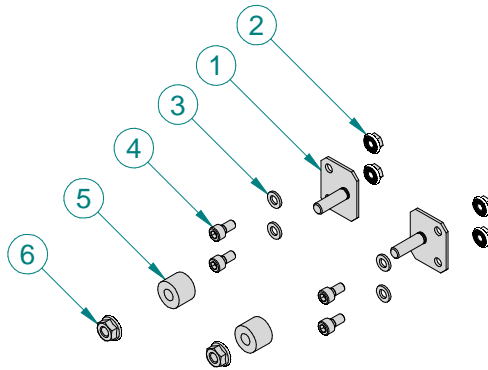
1



BU-PM

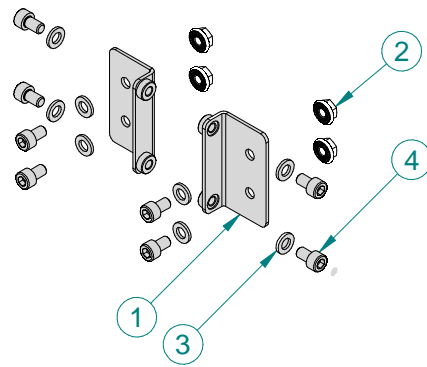
001338160

BU-PM 001338160			
No.	Type ETI	Name	Pcs.
1	BU-PM-C	Holder	2
2	AN-FSH 6	Nut flange serrat DIN6923 Zn	4
3	AW-R 6	Washer M6 DIN126 Zn	4
4	AS-SH 6x10	Screw M6x10 DIN912 Zn	4
5	TU-D20-d8-15	Spacer roll	2
6	AN-FSH 8	Nut flange serrat DIN6923 Zn	2

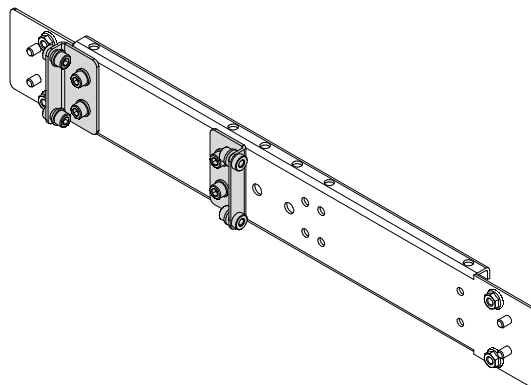
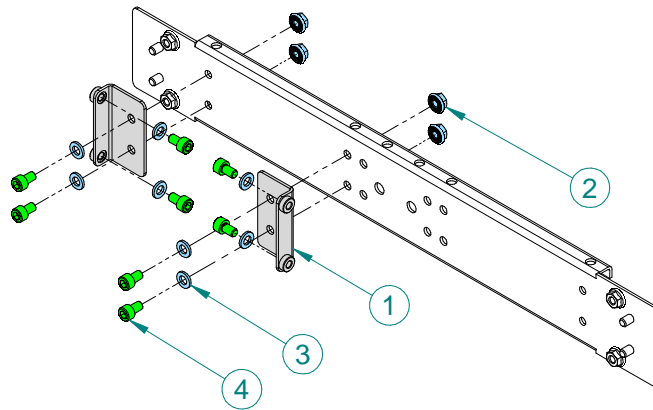


BU-WD

001338161

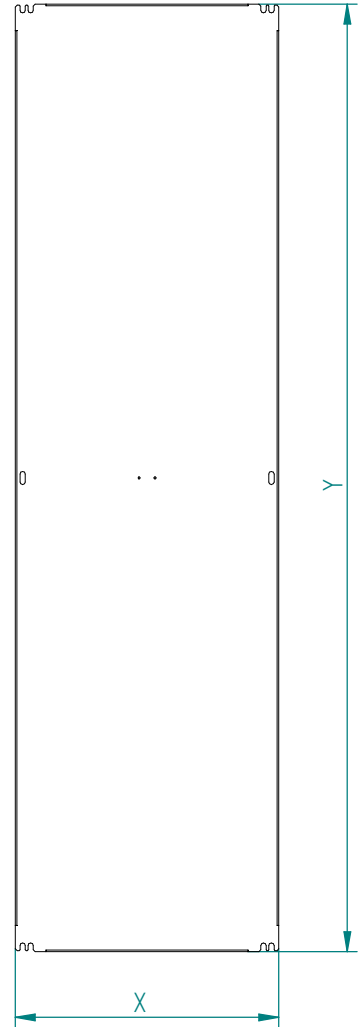
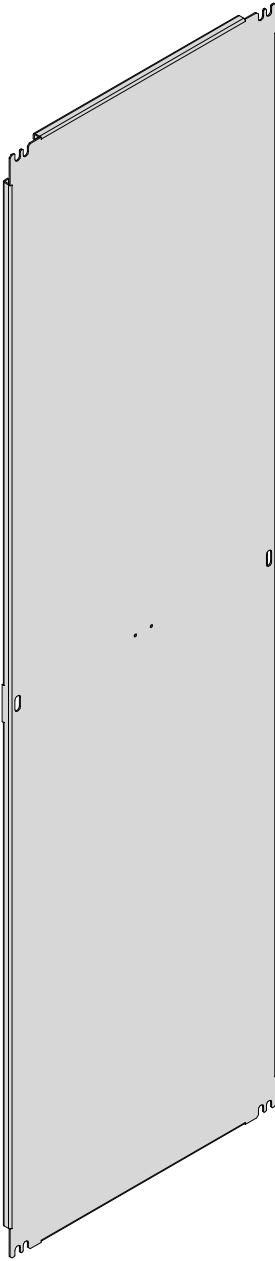


BU-WD 001338161			
No.	Type ETI	Name	Pcs.
1	BU-WD-C	Holder	2
2	AN-FSH 6	Nut flange serrat DIN6923 Zn	4
3	AW-R 6	Washer M6 DIN126 Zn	8
4	AS-SH 6x10	Screw M6x10 DIN912 Zn	8



PM-G

Code No	Type	X [mm]	Y [mm]
001337963	PM-G 1-12	248	1790
001337965	PM-G 2-12	498	1790
001337967	PM-G 3-12	748	1790
001337969	PM-G 4-12	998	1790

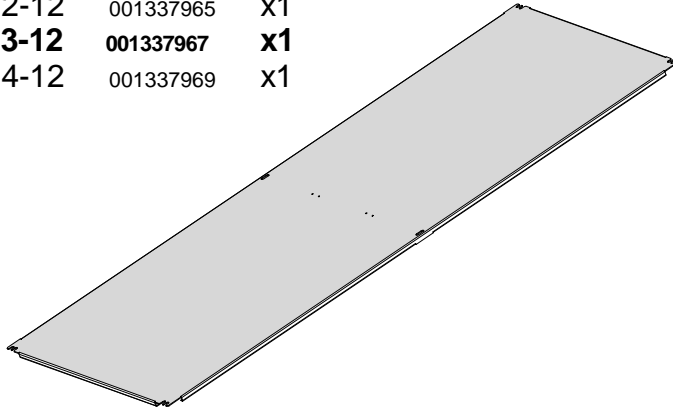


PM-G x-12

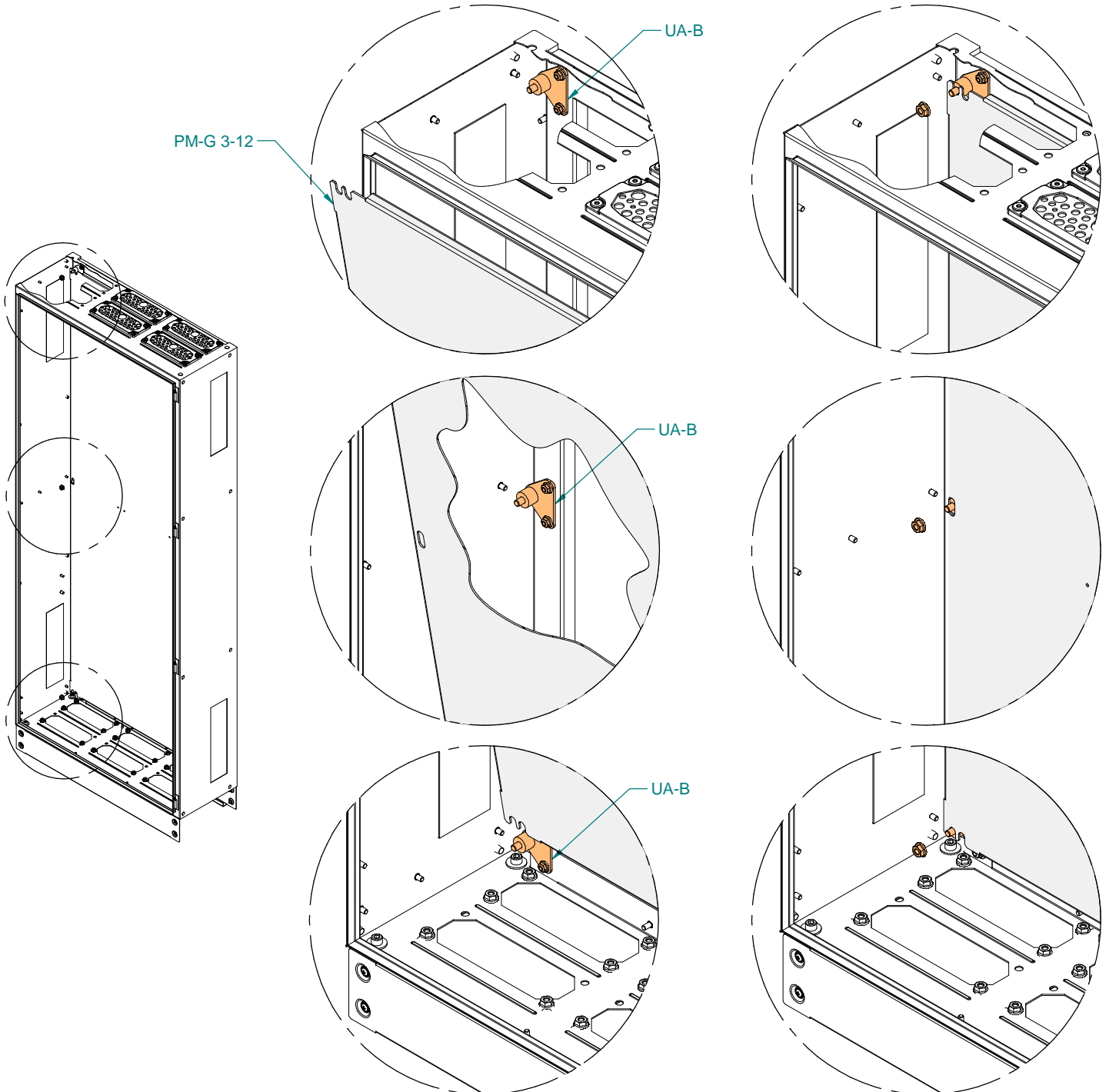
assembling option 1 - fixed

PM-G 1-12	001337963	x1
PM-G 2-12	001337965	x1
PM-G 3-12	001337967	x1
PM-G 4-12	001337969	x1

UA-B 001338102 x3 (page 23)



PM-G 3-12 + UA-B



PM-G x-12

assembling option 2 - fixed

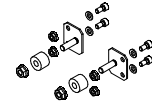
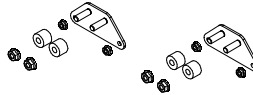
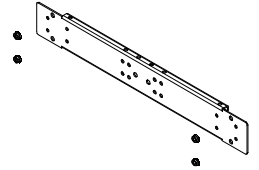
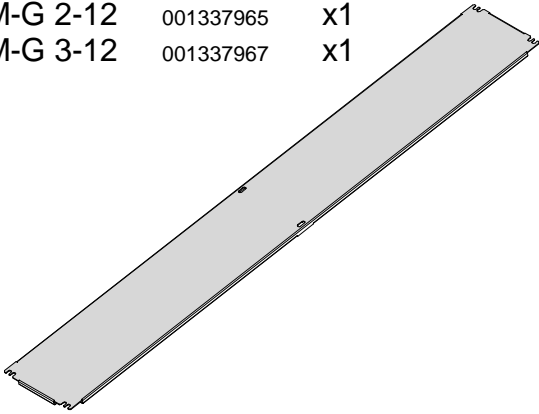
PM-G 1-12	001337963	x1
PM-G 2-12	001337965	x1
PM-G 3-12	001337967	x1

UA-B	001338102	x1 (page 23)
------	-----------	--------------

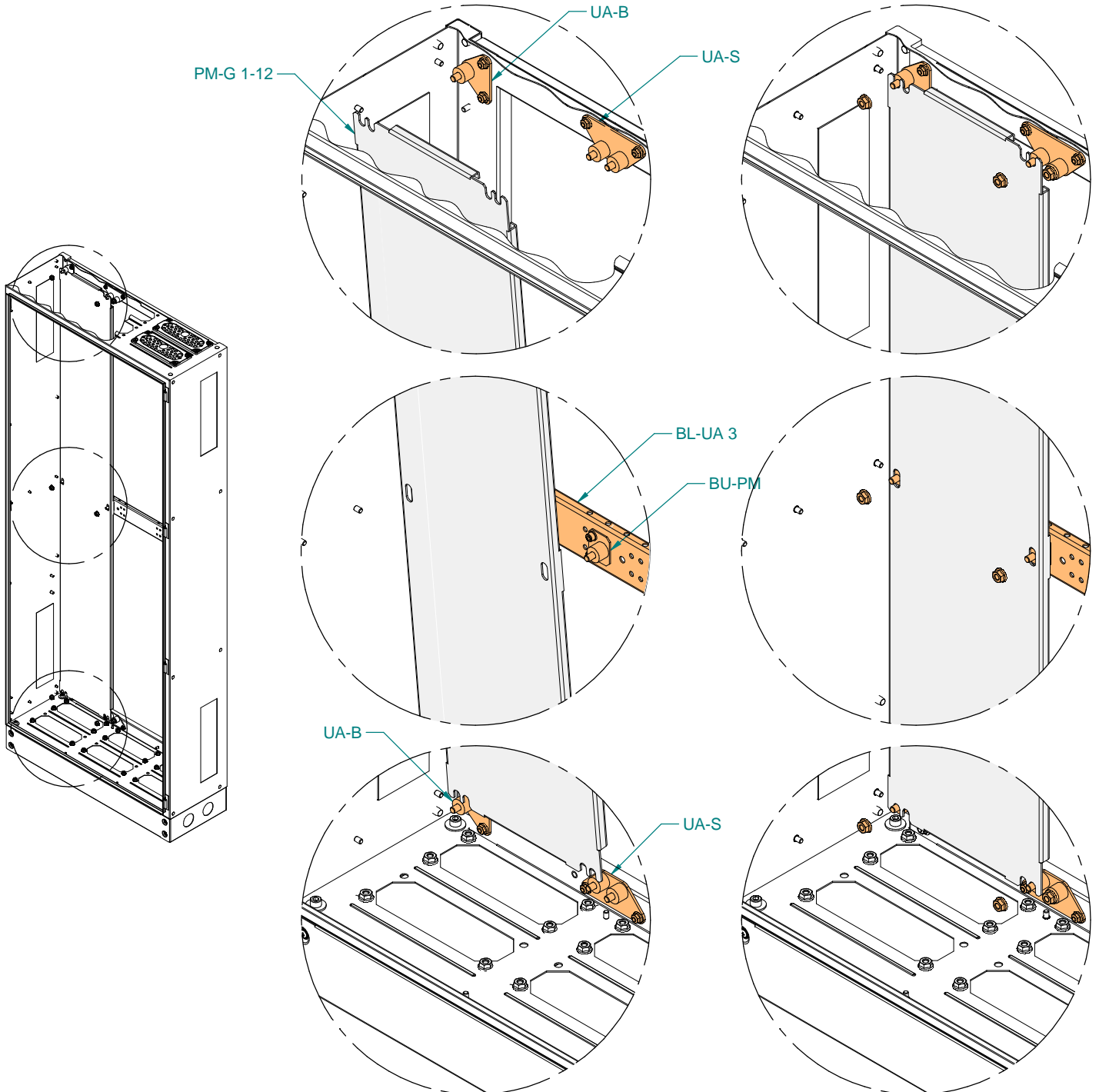
BL-UA 2	001338130	x1 (page 29)
BL-UA 3	001338131	x1 (page 29)
BL-UA 4	001338132	x1 (page 29)

UA-S	001338104	x1 (page 25)
------	-----------	--------------

BU-PM	001338160	x1 (page 31)
-------	-----------	--------------



PM-G 1-12 + UA-B + UA-S + BL-UA 3 + BU-PM

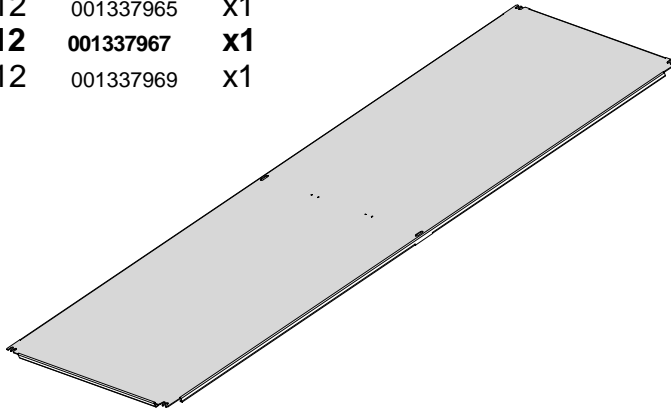
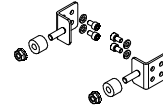


PM-G x-12

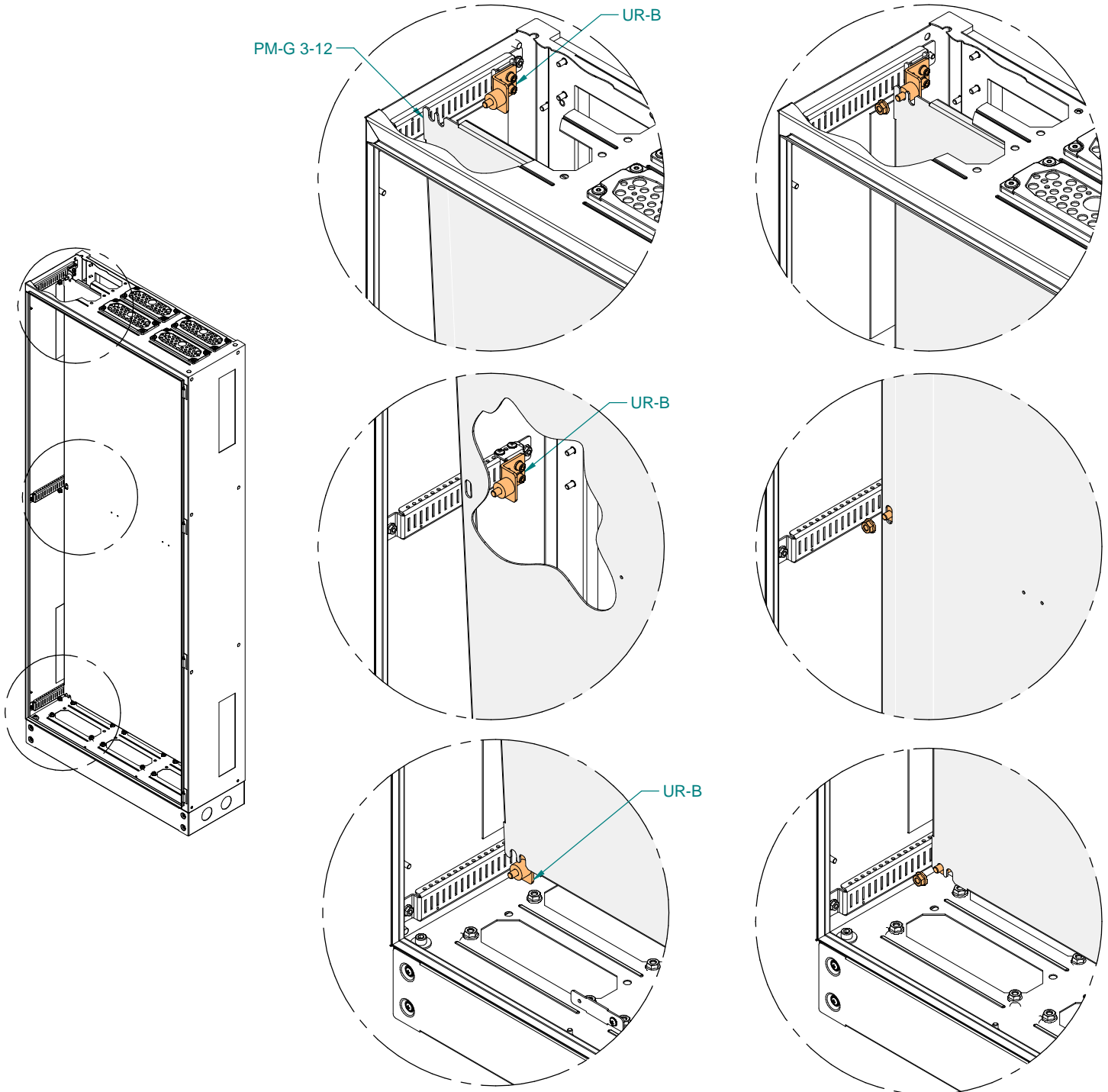
assembling option 3 - regulation

PM-G 1-12	001337963	x1
PM-G 2-12	001337965	x1
PM-G 3-12	001337967	x1
PM-G 4-12	001337969	x1

UR-B 001338115 x3 (page 26)



PM-G 3-12 + UR-B



PM-G x-12

assembling option 4 - regulation

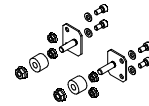
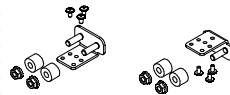
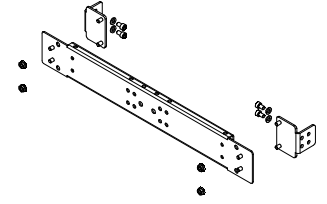
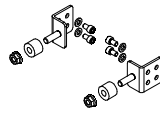
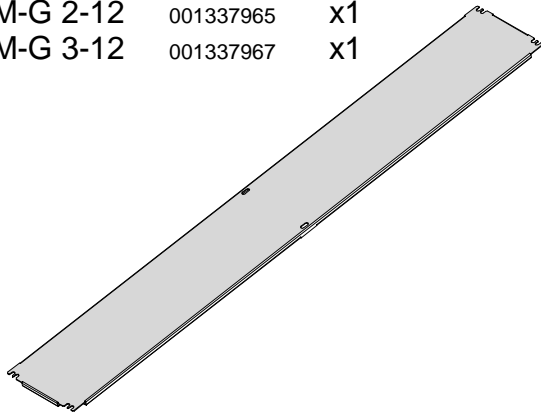
PM-G 1-12	001337963	x1
PM-G 2-12	001337965	x1
PM-G 3-12	001337967	x1

UR-B	001338115	x1 (page 26)
------	-----------	--------------

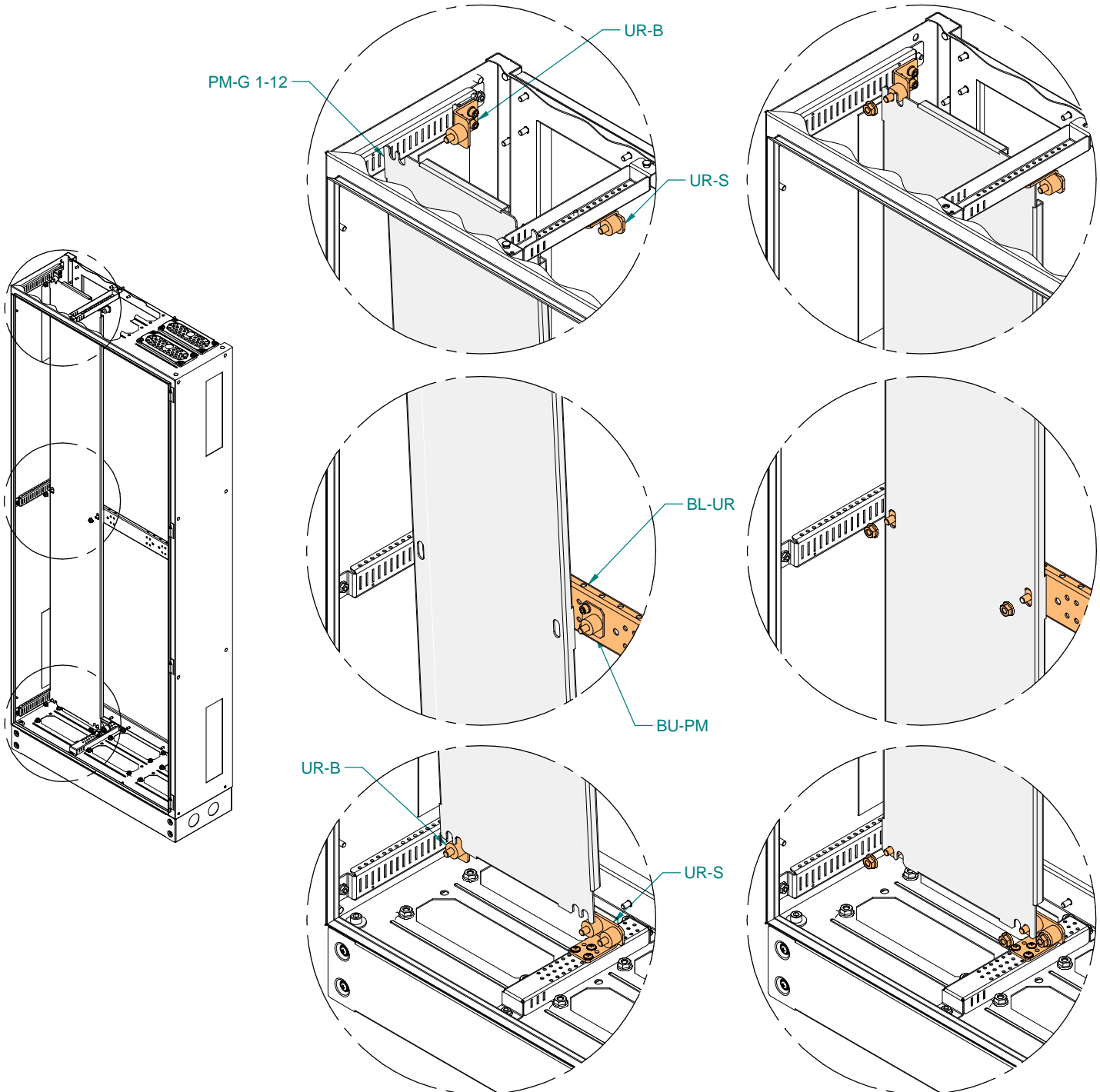
BL-UR 2	001338145	x1 (page 30)
BL-UR 3	001338146	x1 (page 30)
BL-UR 4	001338147	x1 (page 30)

UR-S	001338117	x1 (page 28)
------	-----------	--------------

BU-PM	001338160	x1 (page 31)
-------	-----------	--------------

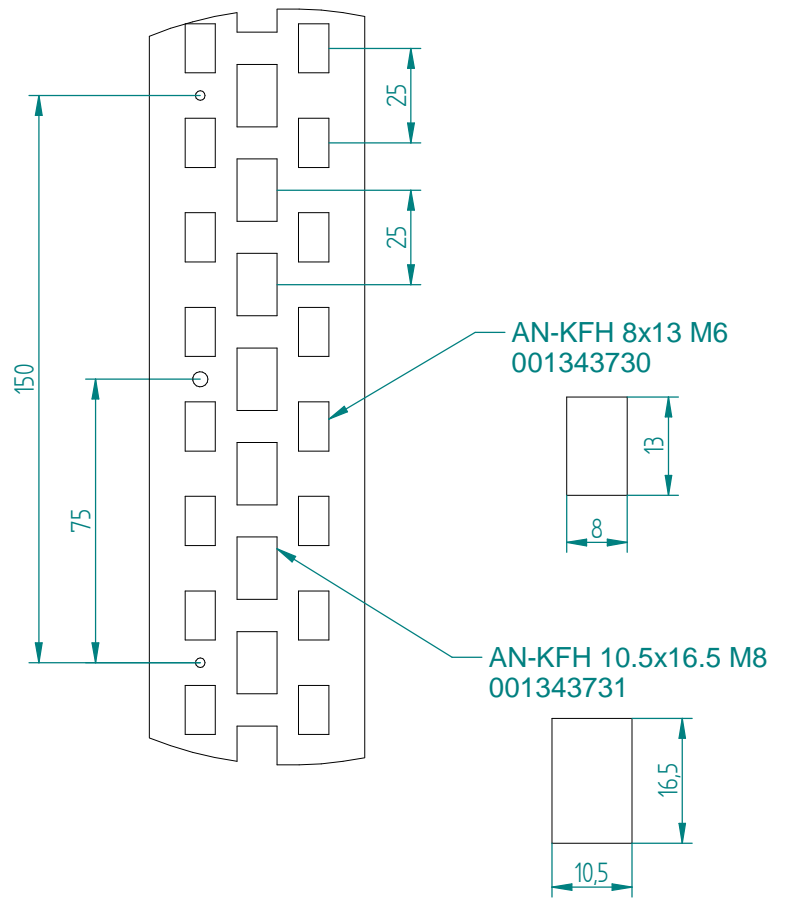
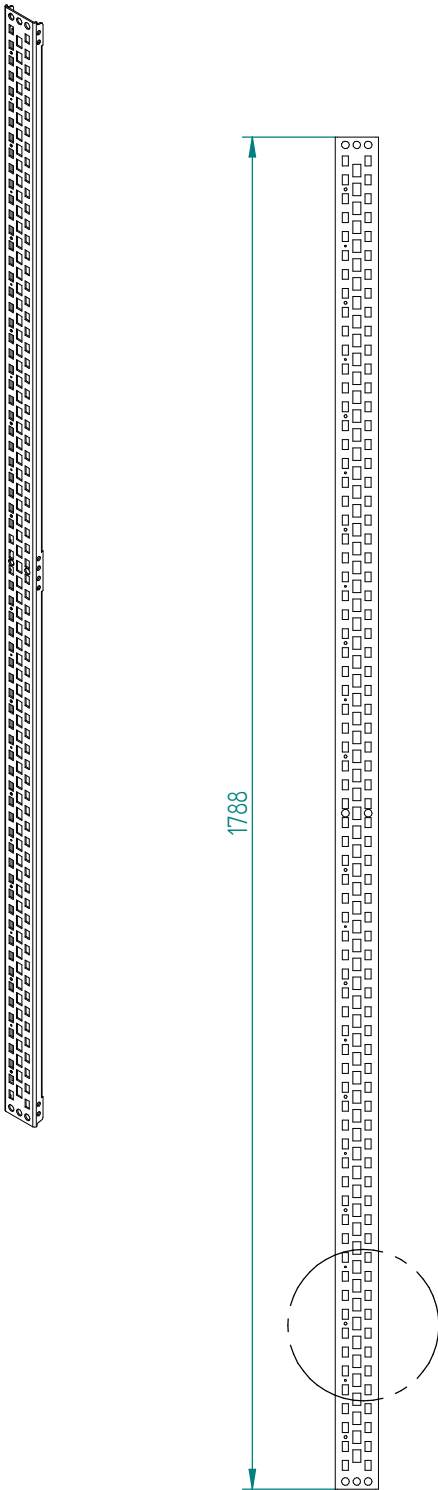


PM-G 1-12 + UR-B + UR-S + BL-UR 3 + BU-PM



WD-K 12

001338864



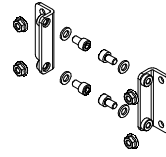
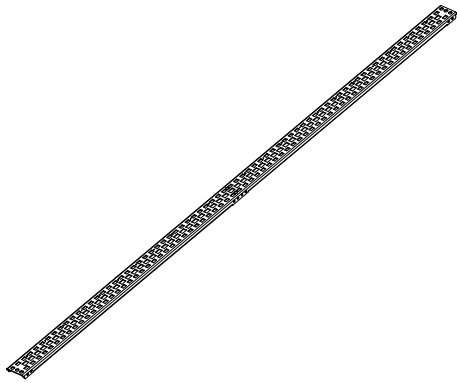
WD-K 12

assembling option 1 - fixed

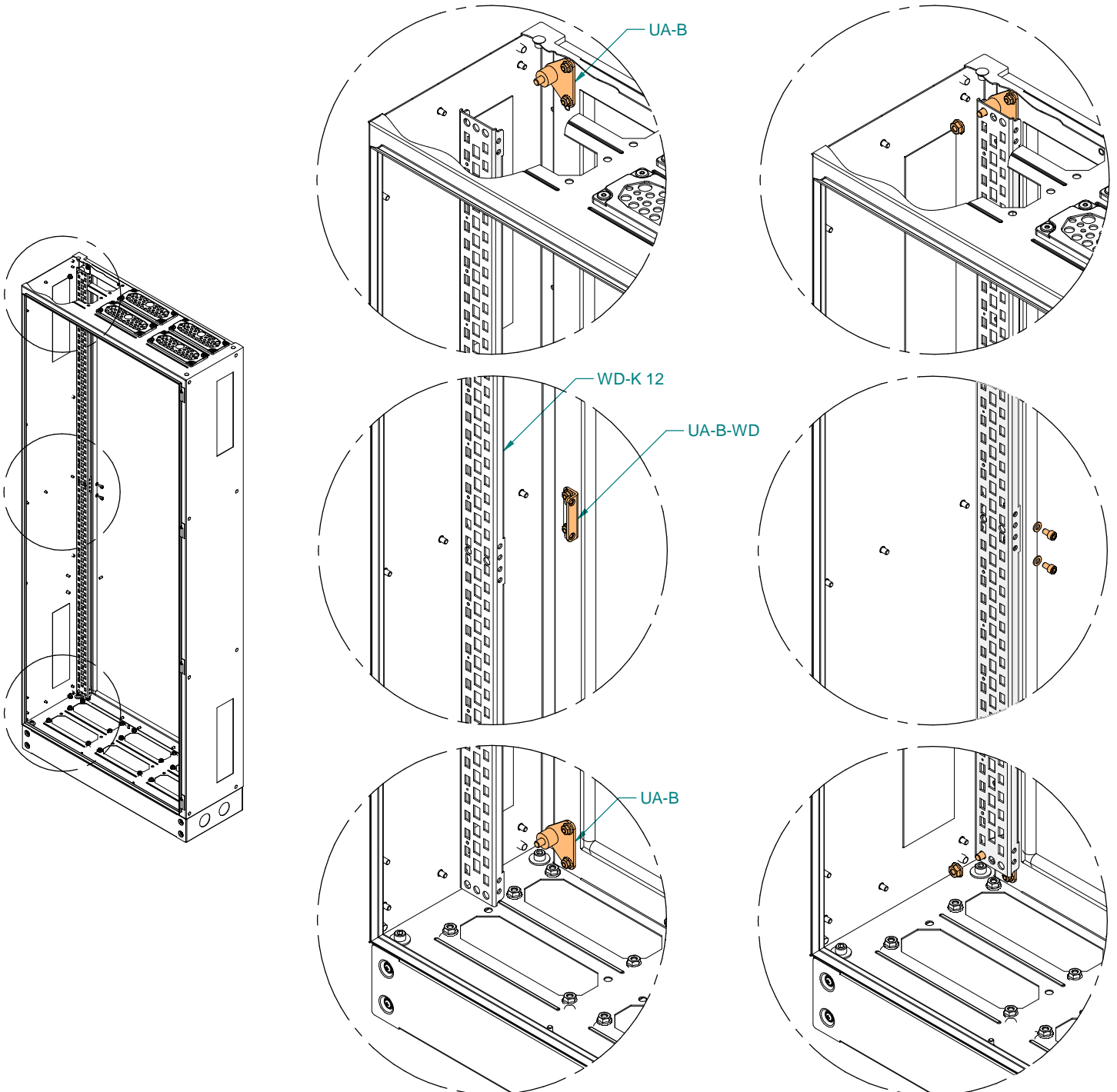
WD-K 12 001338864 x1

UA-B-WD 001338103 x1 (page 24)

UA-B 001338102 x1 (page 23)



WD-K 12 + UA-B-WD + UA-B



WD-K 12

assembling option 2 - fixed

WD-K 12 001338864 x2

UA-B 001338102 x1 (page 23)

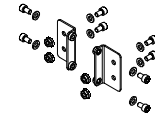
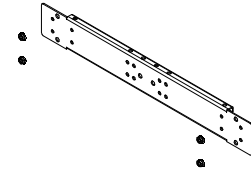
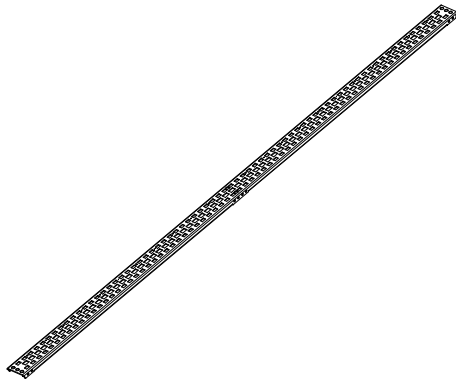
BL-UA 2 001338130 x1 (page 29)

BL-UA 3 001338131 x1 (page 29)

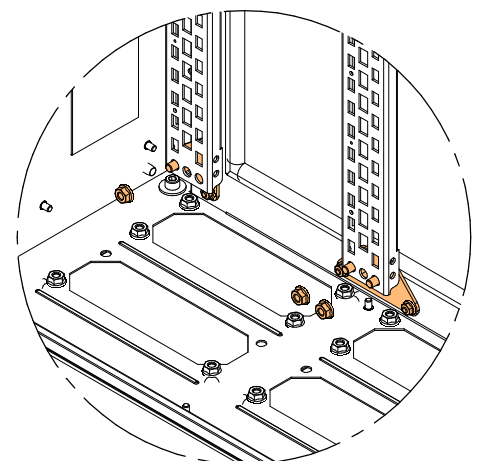
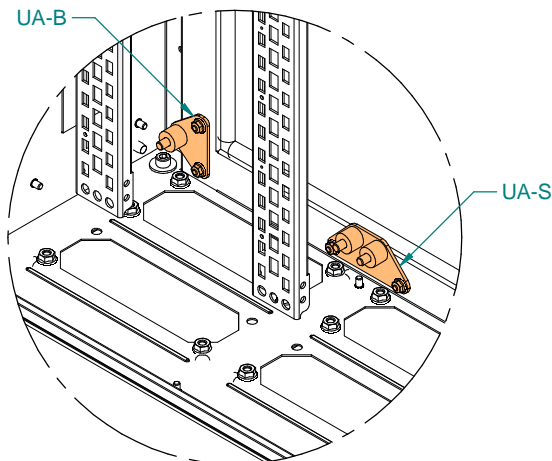
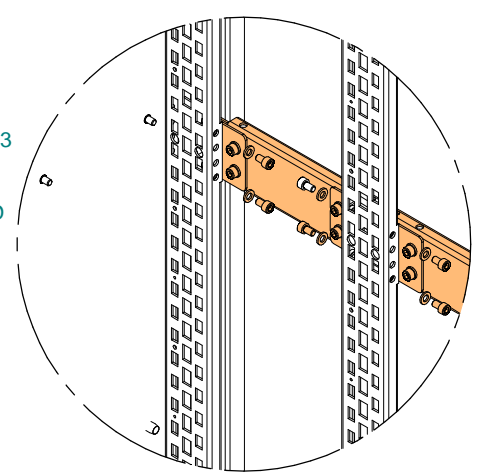
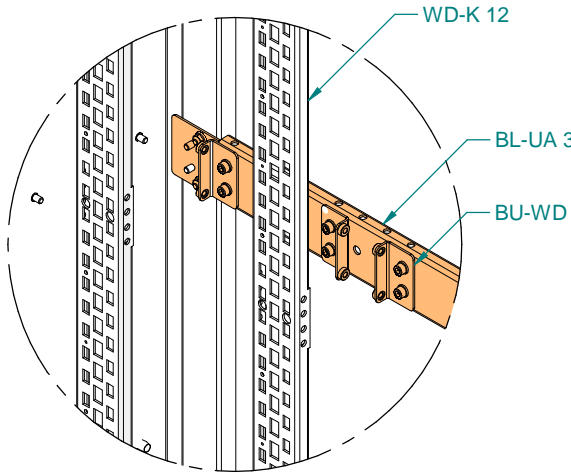
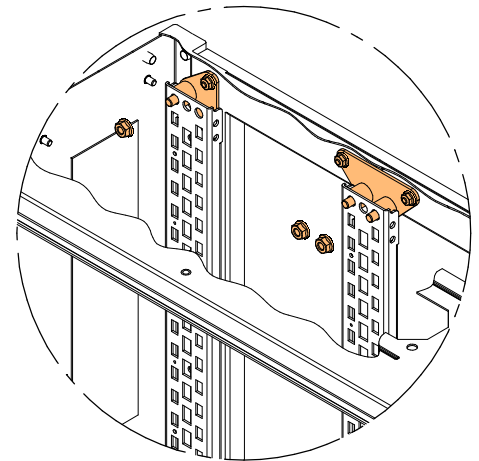
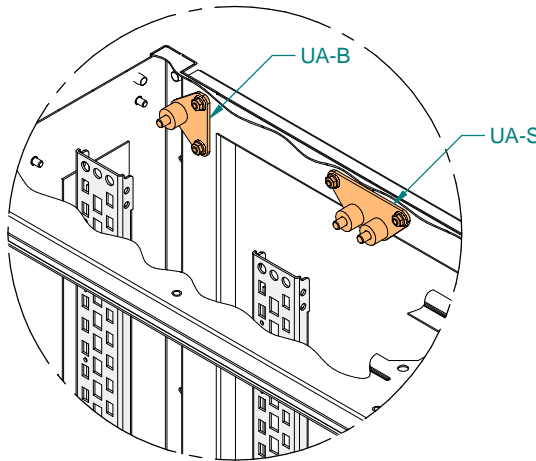
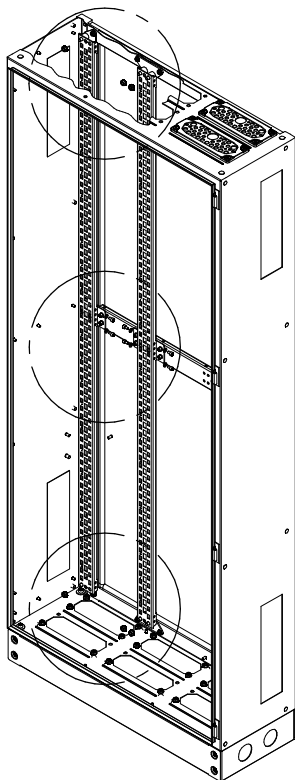
BL-UA 4 001338132 x1 (page 29)

UA-S 001338104 x1 (page 25)

BU-WD 001338161 x2 (page 32)



WD-K 12 + UA-B + UA-S + BL-UA 3 + BU-WD



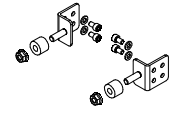
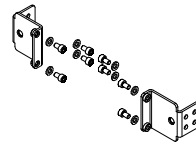
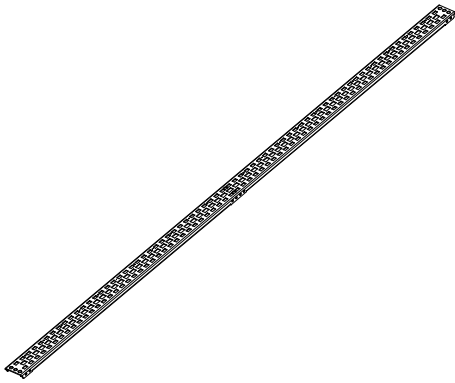
WD-K 12

assembling option 3 - regulation

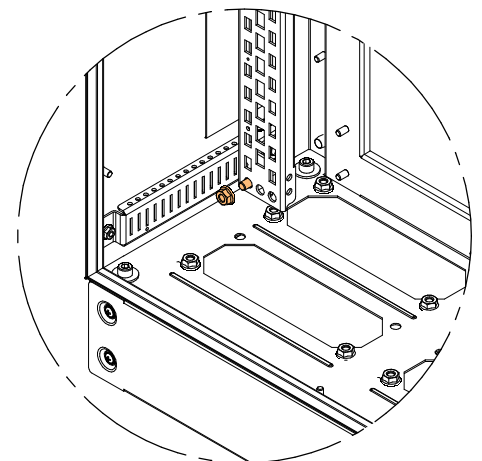
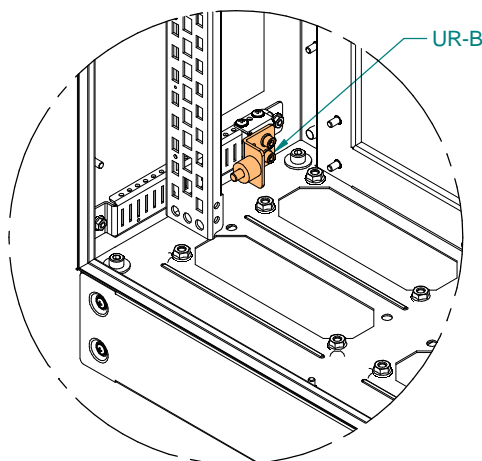
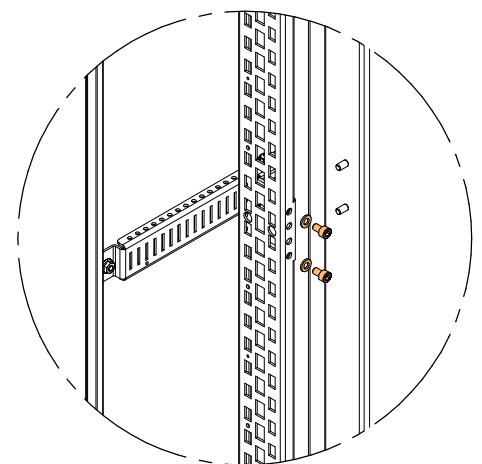
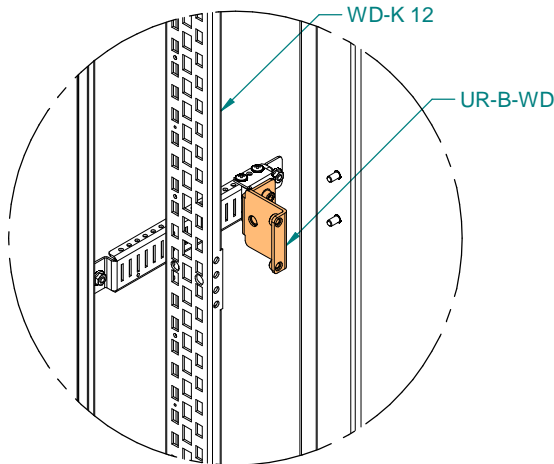
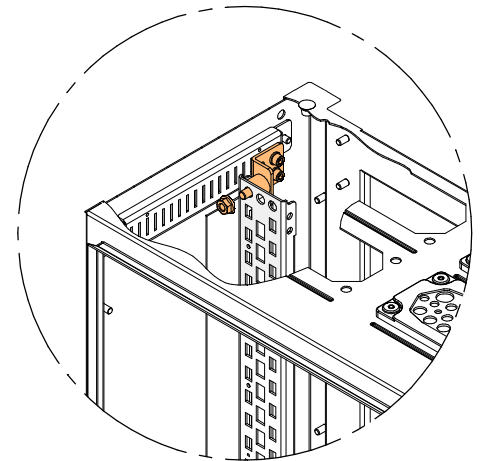
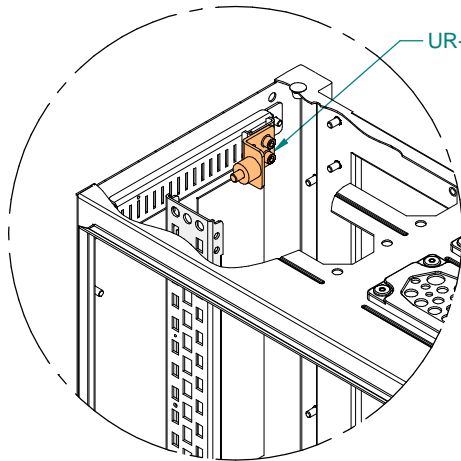
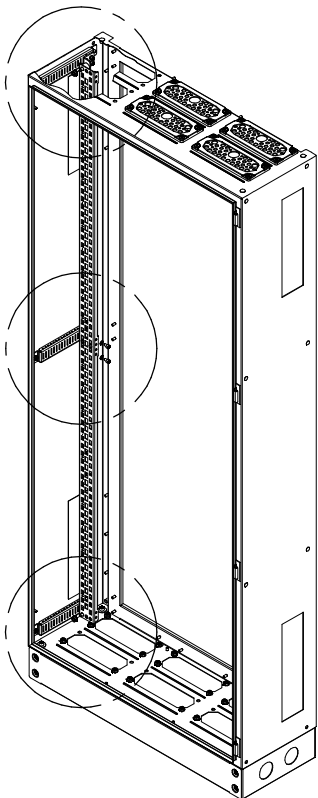
WD-K 12 001338864 x1

UR-B-WD 001338116 x1 (page 27)

UR-B 001338115 x1 (page 26)



WD-K 12 + UR-B-WD + UR-B



WD-K 12

assembling option 4 - regulation

WD-K 12 001338864 x2

UR-B 001338115 x1 (page 26)

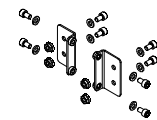
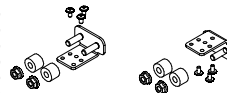
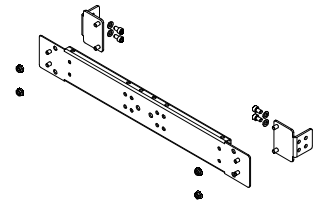
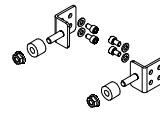
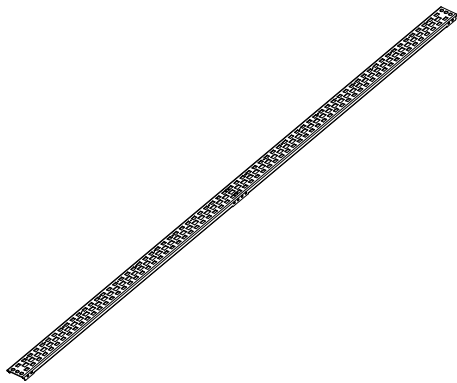
BL-UR 2 001338145 x1 (page 30)

BL-UR 3 001338146 x1 (page 30)

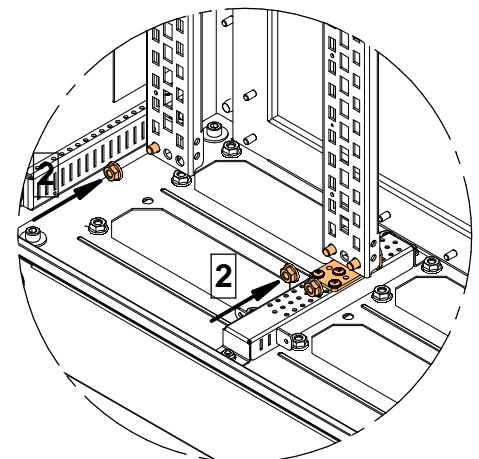
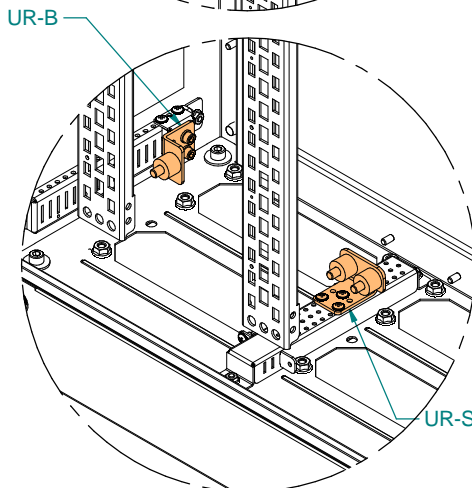
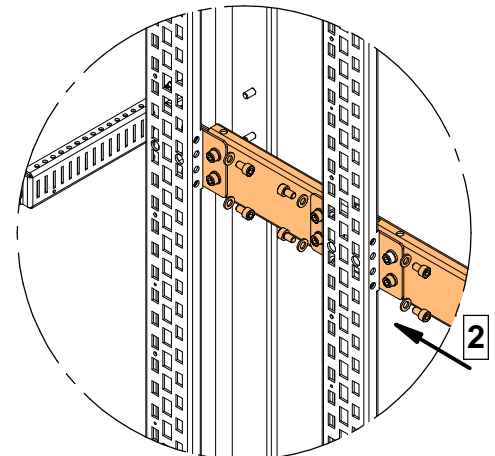
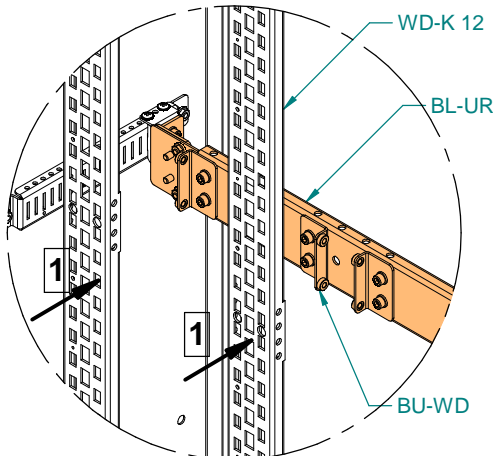
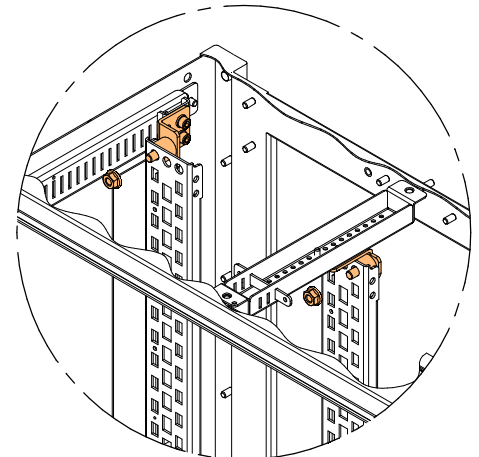
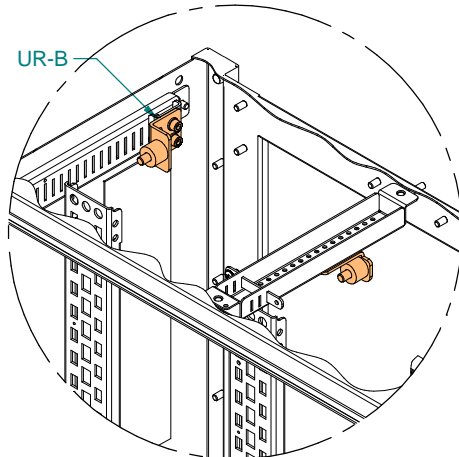
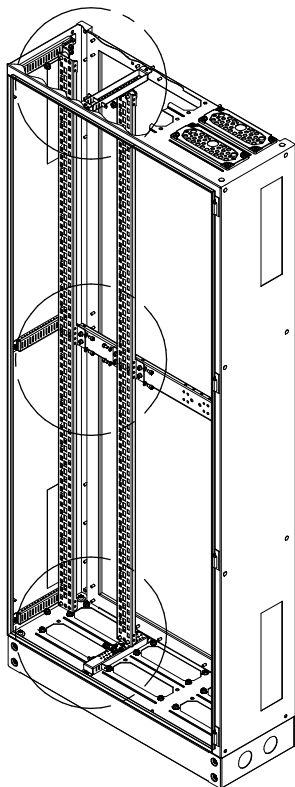
BL-UR 4 001338147 x1 (page 30)

UR-S 001338117 x1 (page 28)

BU-WD 001338161 x2 (page 32)



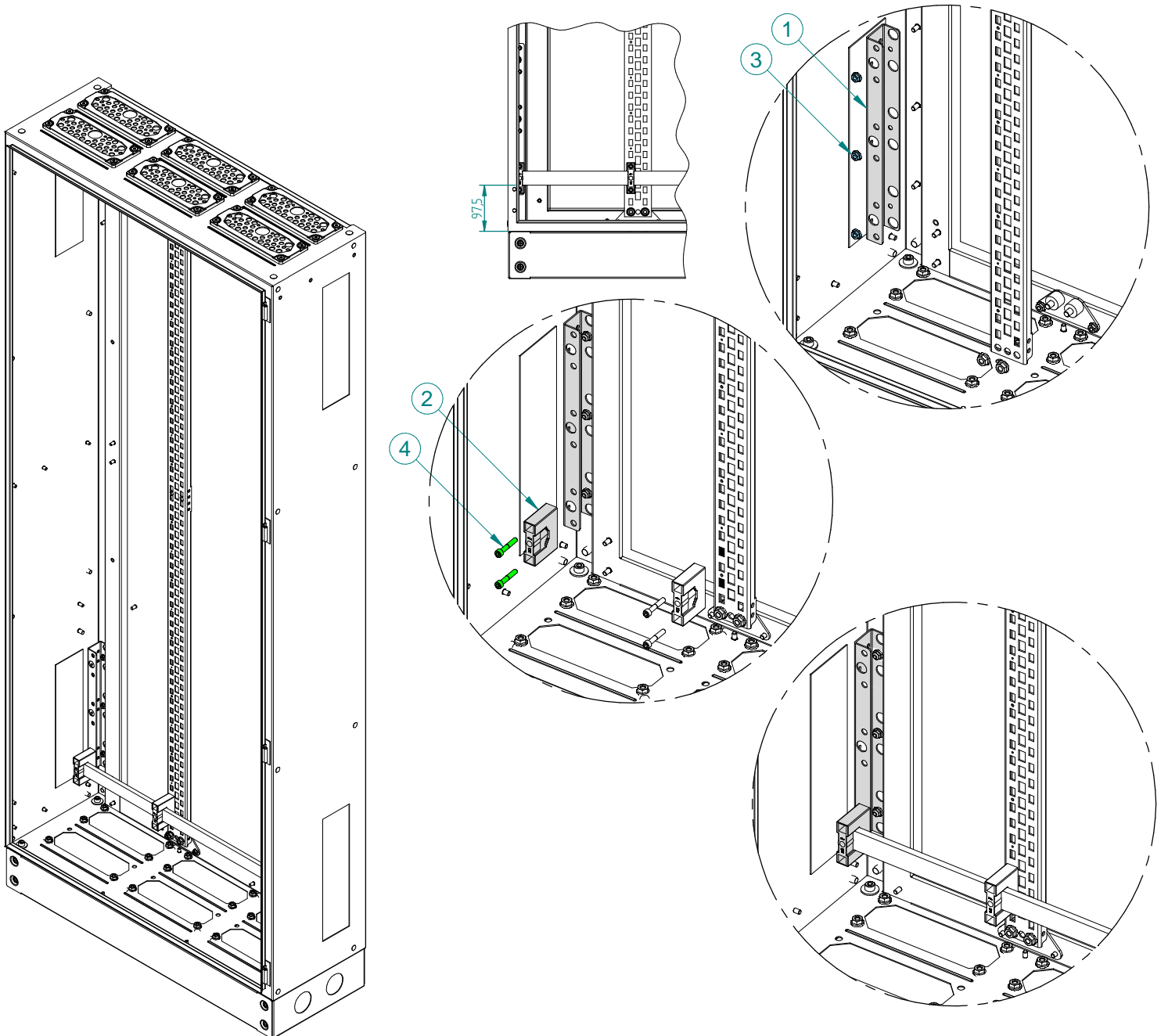
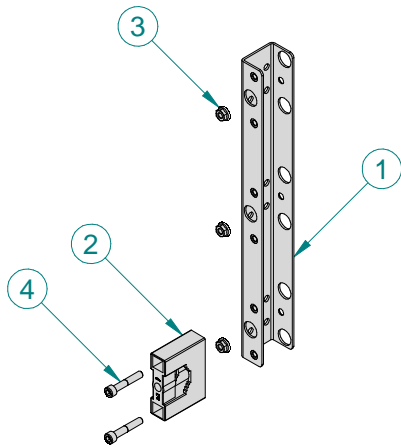
WD-K 12 + UR-B + UR-S + BL-UR 3 + BU-WD



UD-B60-H P1

001341800

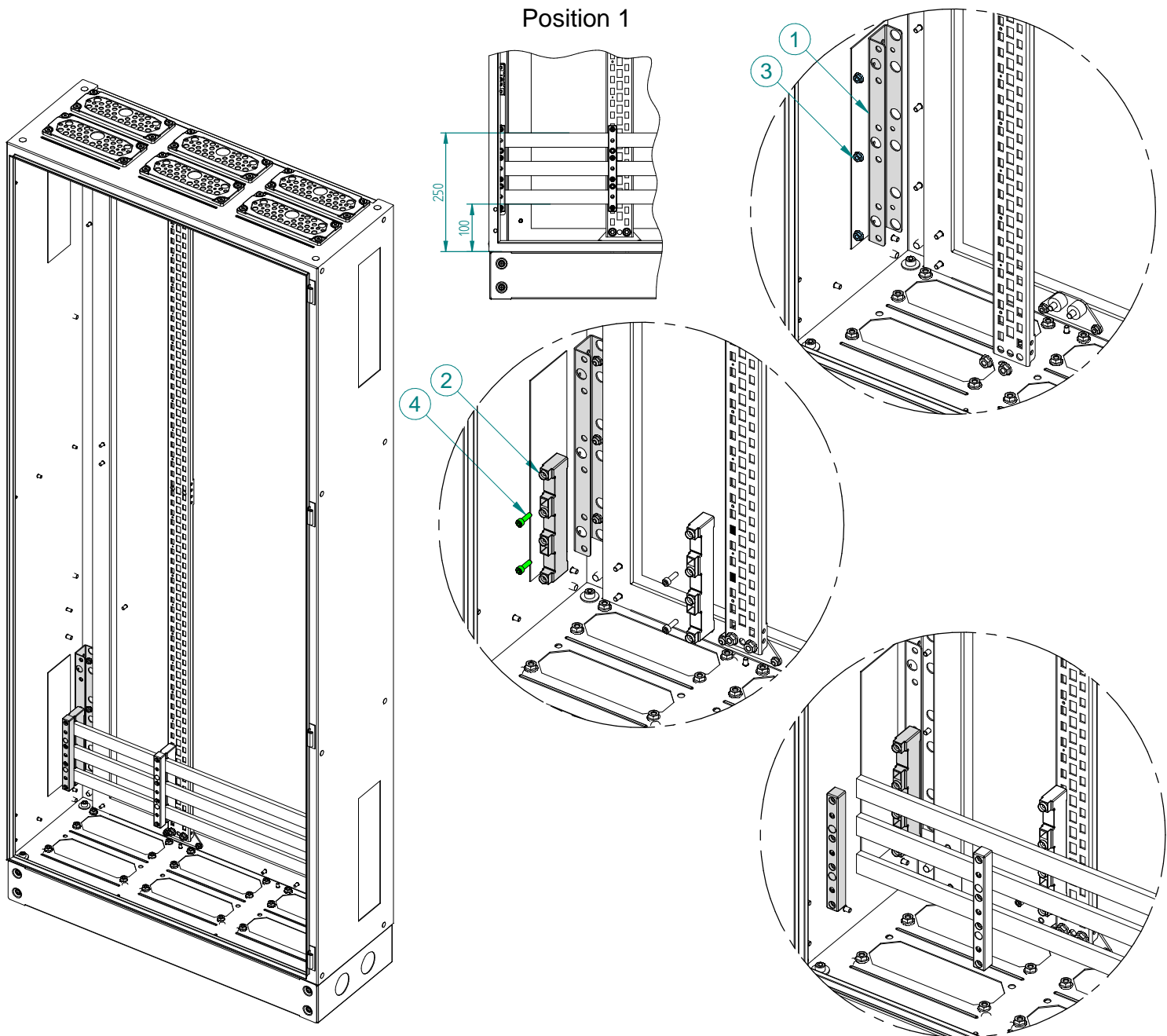
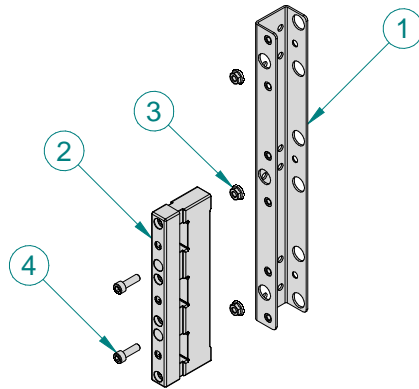
UD-B60-H P1 001341800			
No.	Type ETI	Name	Pcs.
1	UD-B60-H-C	Support	1
2	SST-60/1	Holder	1
3	AN-FSH 6	Nut flange serrat DIN6923 Zn	3
4	AS-SH 6x35	Screw M6x35 DIN912 Zn	2



UD-B60-H P3

001341802

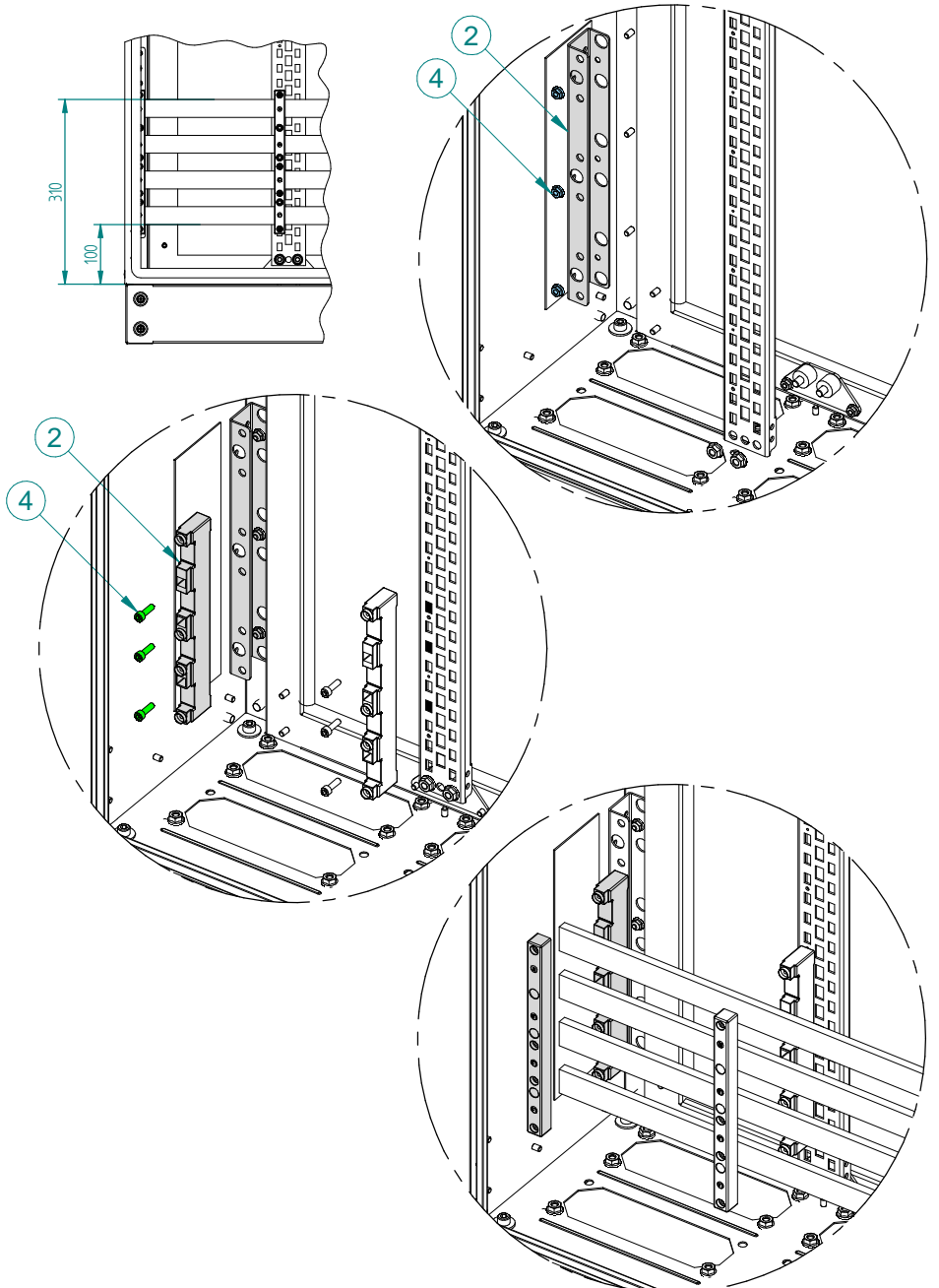
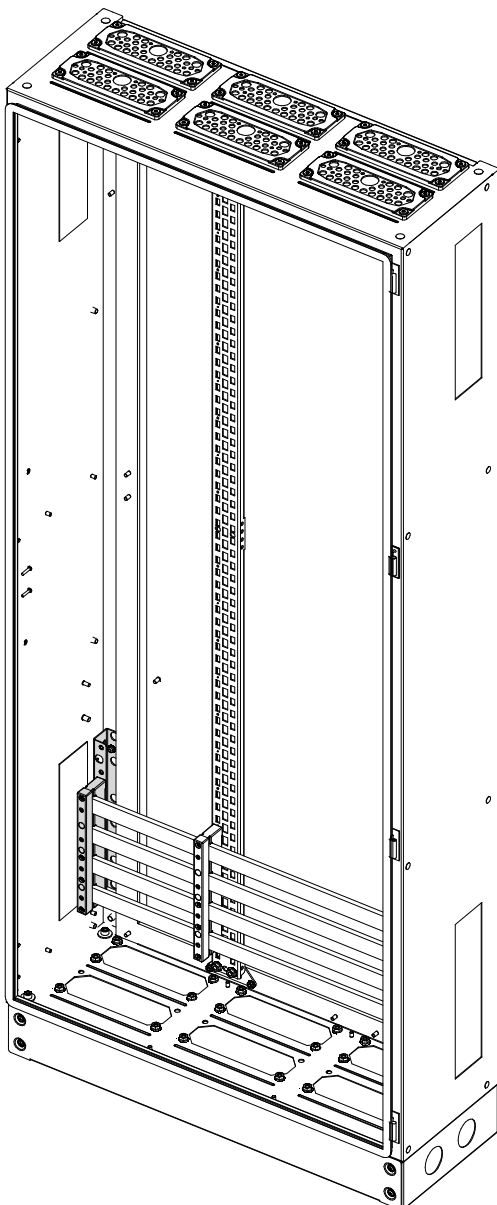
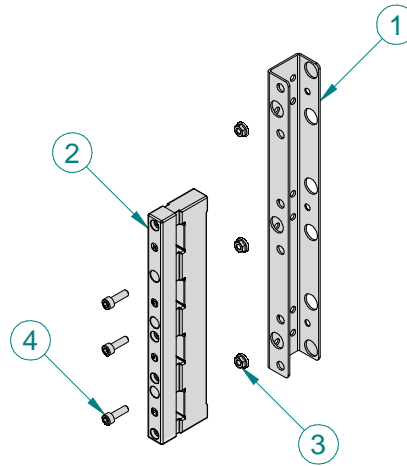
UD-B60-H P3 001341802			
No.	Type ETI	Name	Pcs.
1	UD-B60-H-C	Support	1
2	SST-60/3	Holder	1
3	AN-FSH 6	Nut flange serrat DIN6923 Zn	3
4	AS-SH 6x20	Screw M6x20 DIN912 Zn	2



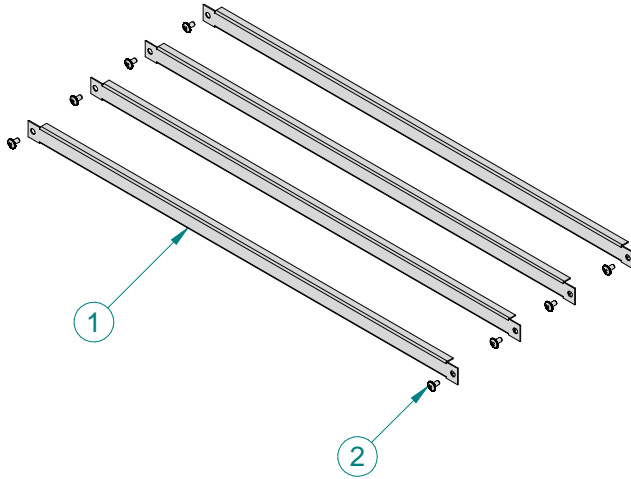
UD-B60-H P4

001341803

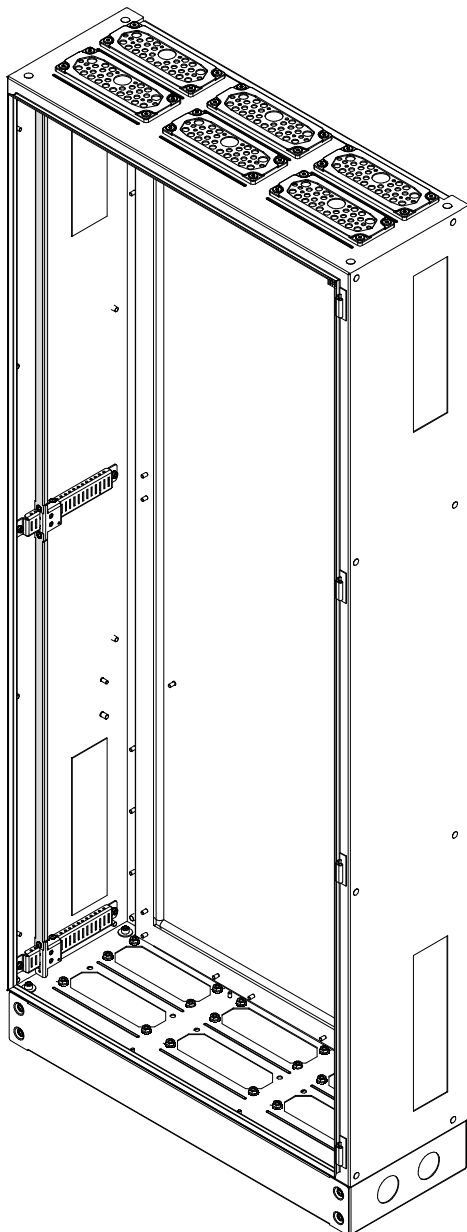
UD-B60-H P4 001341803			
No.	Type ETI	Name	Pcs.
1	UD-B60-H-C	Support	1
2	SST-60/4	Holder	1
3	AN-FSH 6	Nut flange serrat DIN6923 Zn	3
4	AS-SH 6x20	Screw M6x20 DIN912 Zn	3



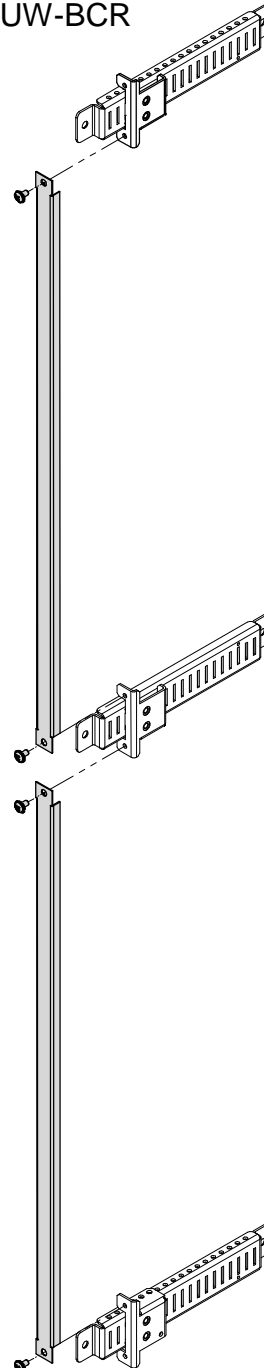
CP-BV



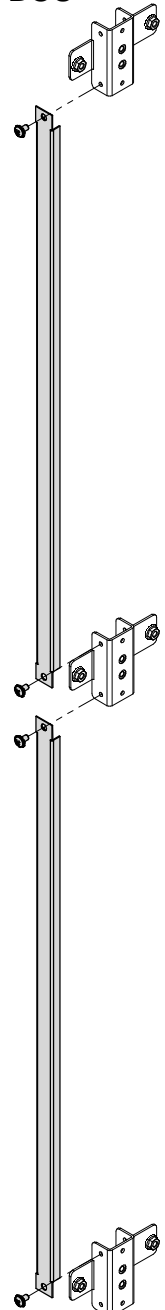
CP-BV						
Code No	Name SET	Wysokość obudowy	(1)	Ilość	(2)	Ilość
001340164	CP-BV 12	12	CP-BV-12	4	AST 4.8x9.5	8
001340165	CP-BV 13	13	CP-BV-13	4	AST 4.8x9.5	8



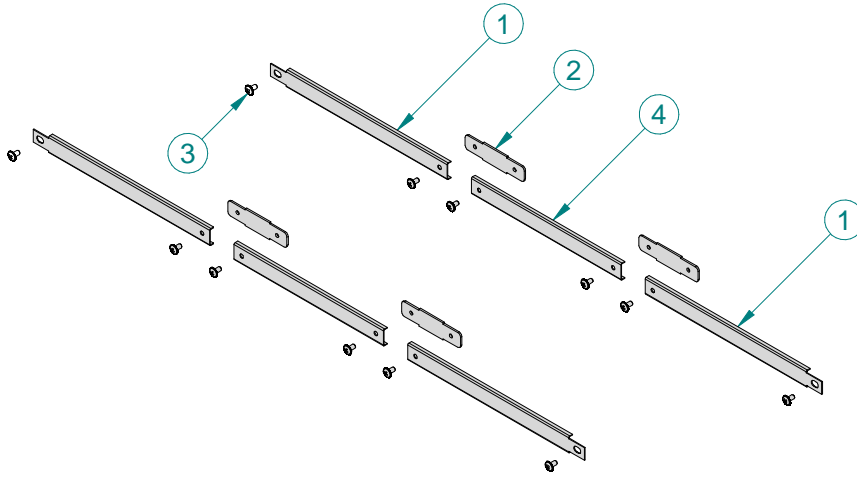
UW-BCR



UW-BCU



CP-BH

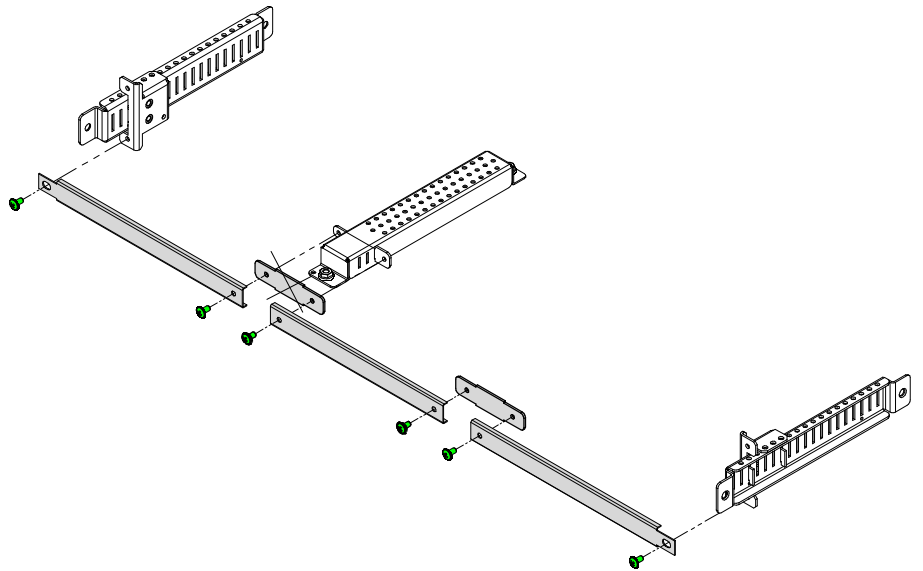
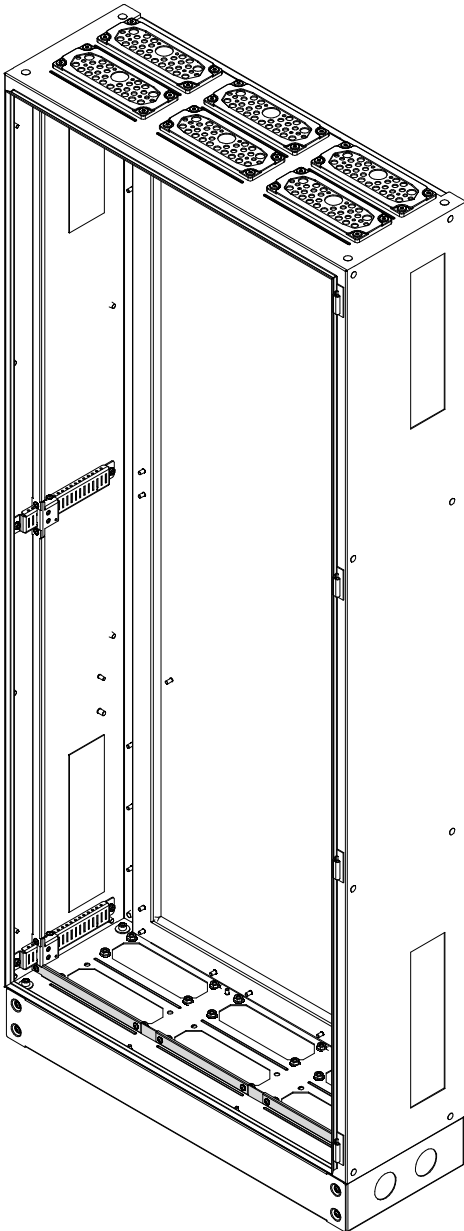


CP-BH 2 001340200			
No.	Type ETI	Name	Pcs.
1	CP-BH-BOK	Cover	2
2	CP-BH-LAC	Cover	1
3	AST 4.8x9.5	Tapping screw	4

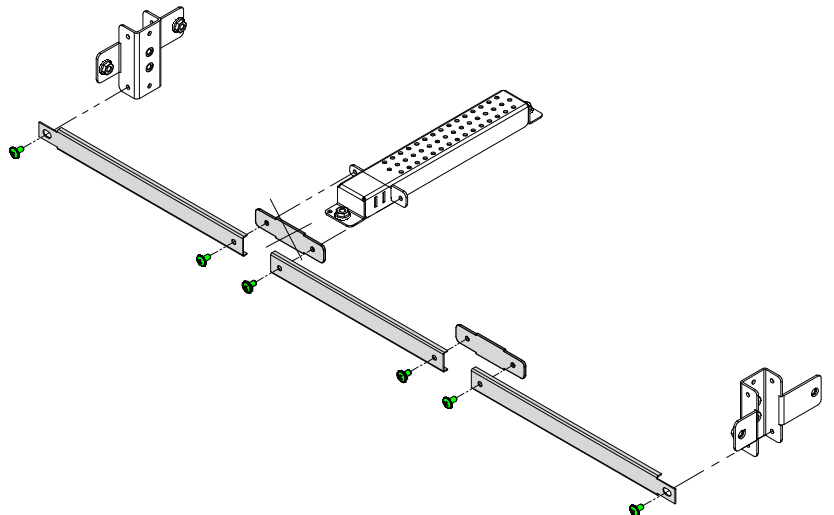
CP-BH 3 001340201			
No.	Type ETI	Name	Pcs.
1	CP-BH-BOK	Cover	2
2	CP-BH-LAC	Cover	2
3	AST 4.8x9.5	Tapping screw	6
4	CP-BH-SRO	Cover	1

CP-BH 4 001340202			
No.	Type ETI	Name	Pcs.
1	CP-BH-BOK	Cover	2
2	CP-BH-LAC	Cover	3
3	AST 4.8x9.5	Tapping screw	8
4	CP-BH-SRO	Cover	2

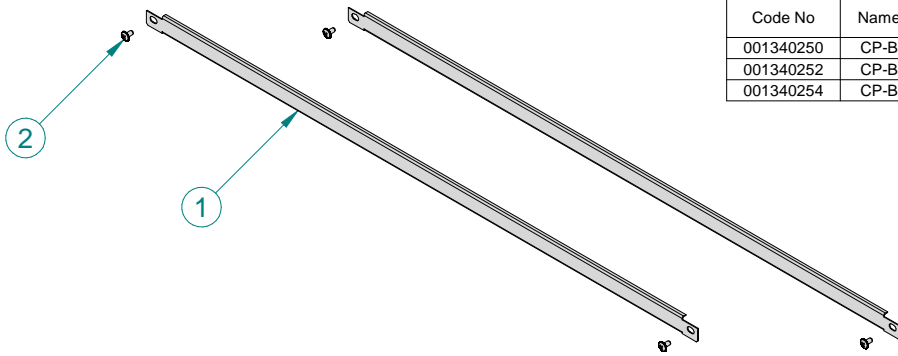
UW-BCR



UW-BCU

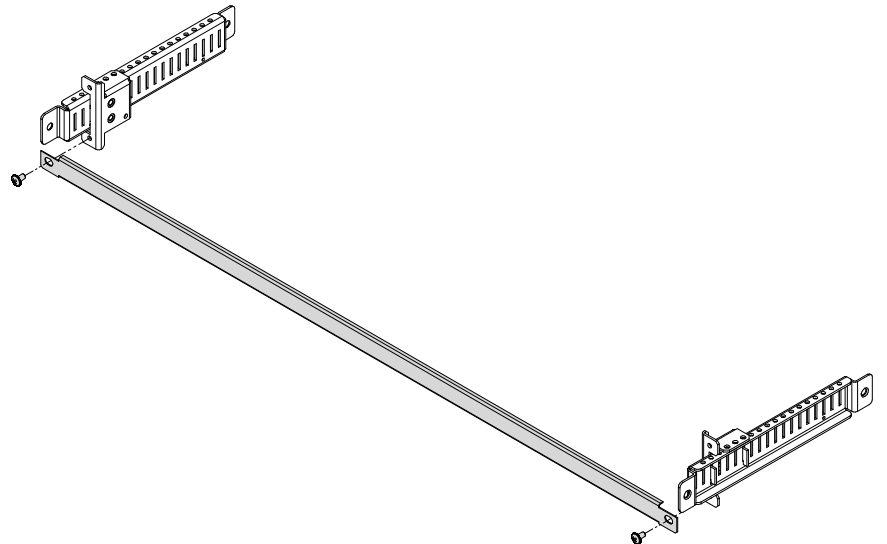
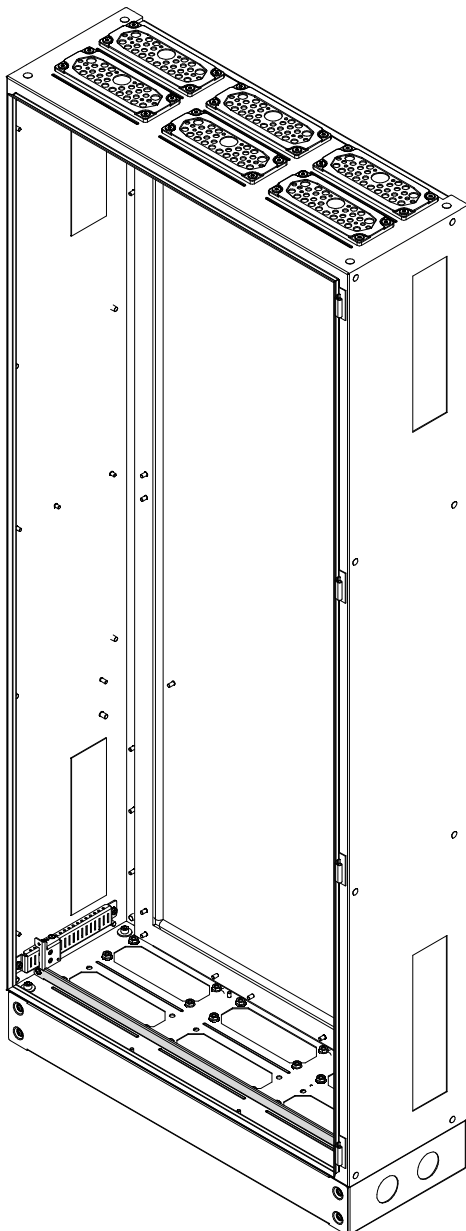


CP-BHS



CP-BHS						
Code No	Name SET	Szerokość obudowy	(1)	Ilość	(2)	Ilość
001340250	CP-BHS 1	1	CP-BHS-1	2	AST 4.8x9.5	4
001340252	CP-BHS 2	2	CP-BHS-2	2	AST 4.8x9.5	4
001340254	CP-BHS 3	3	CP-BHS-3	2	AST 4.8x9.5	4

UW-BCR

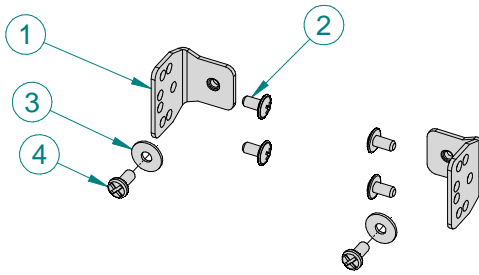


UW-BCU



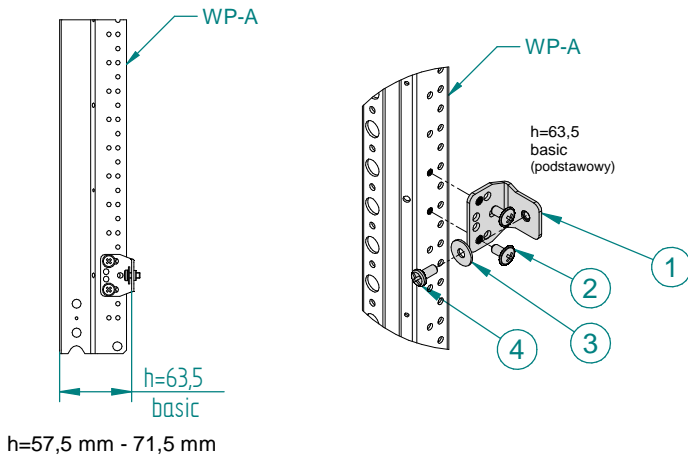
LG-V SET

001101683

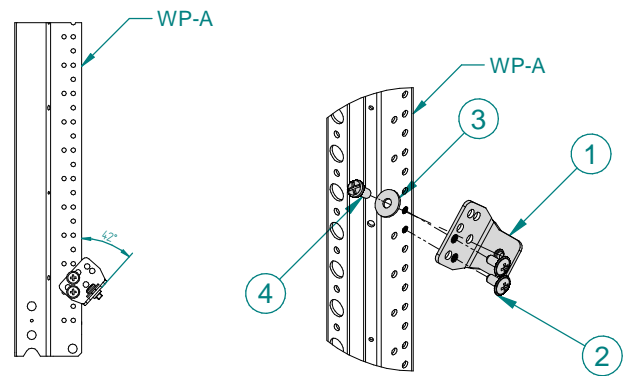


LG-V SET 001101683			
No.	Type ETI	Name	Pcs.
1	LG-V	Support	2
2	AST 4.8x9.5	Tapping screw	4
3	AW-RE 5	Washer M5 DIN9021 Zn	2
4	AS-C 5x10	Screw M5x10 DIN7985 Zn	2

Position 1

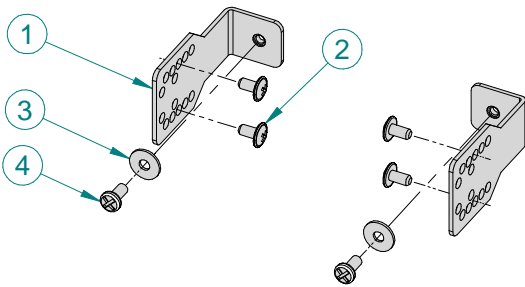


Position 2



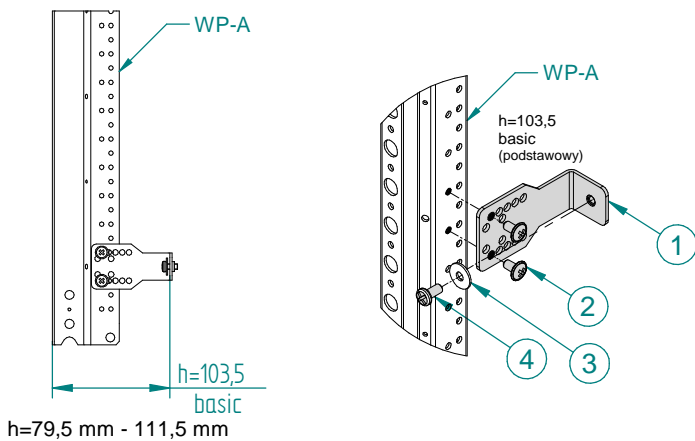
LG-V5 SET

001101685

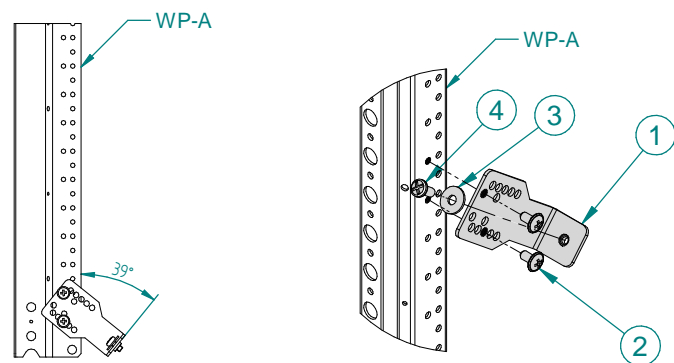


LG-V5 SET 001101685			
No.	Type ETI	Name	Pcs.
1	LG-V5	Support	2
2	AST 4.8x9.5	Tapping screw	4
3	AW-RE 5	Washer M5 DIN9021 Zn	2
4	AS-C 5x10	Screw M5x10 DIN7985 Zn	2

Position 1

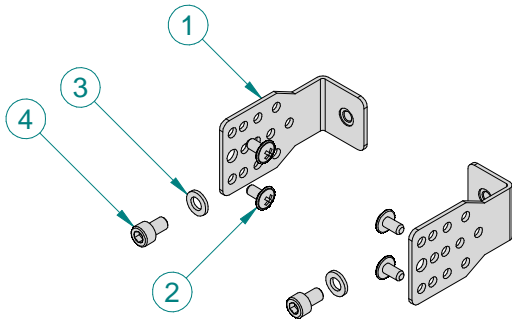


Position 2

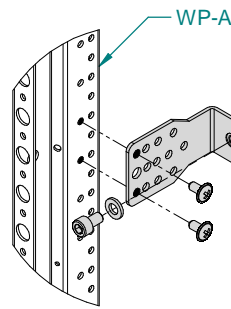
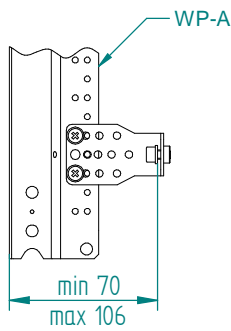


LG-V6-B SET

001341151

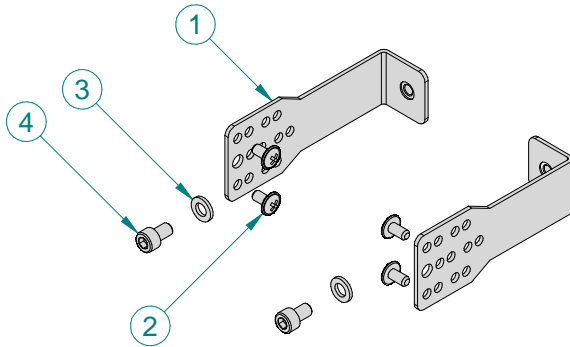


LG-V6-B SET 001341151			
No.	Type ETI	Name	Pcs.
1	LG-V6-B	Support	2
2	AST 4.8x9.5	Tapping screw	4
3	AW-R 6	Washer M6 DIN126 Zn	2
4	AS-SH 6x10	Screw M6x10 DIN912	2

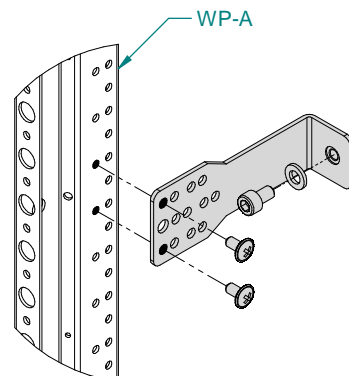
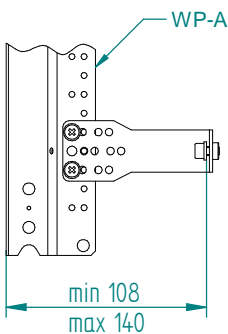


LG-V6-D SET

001341153

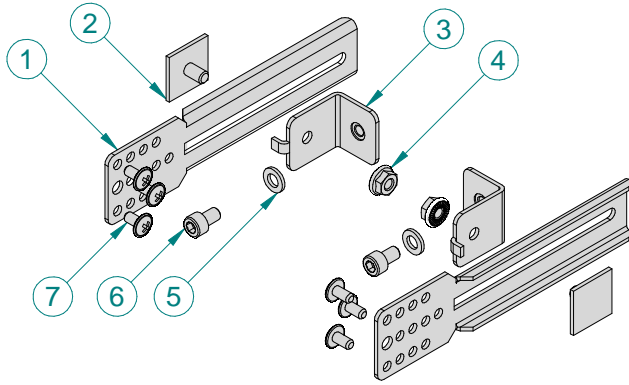


LG-V6-D SET 001341153			
No.	Type ETI	Name	Pcs.
1	LG-V6-D	Support	2
2	AST 4.8x9.5	Tapping screw	4
3	AW-R 6	Washer M6 DIN126 Zn	2
4	AS-SH 6x10	Screw M6x10 DIN912	2

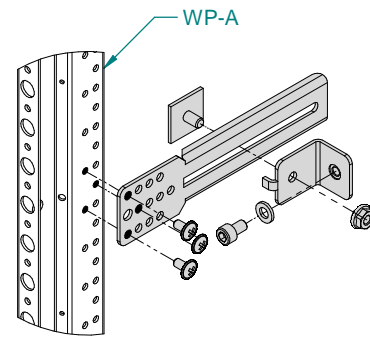
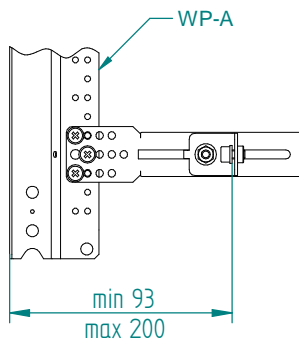


LG-V6R-B SET

001341201

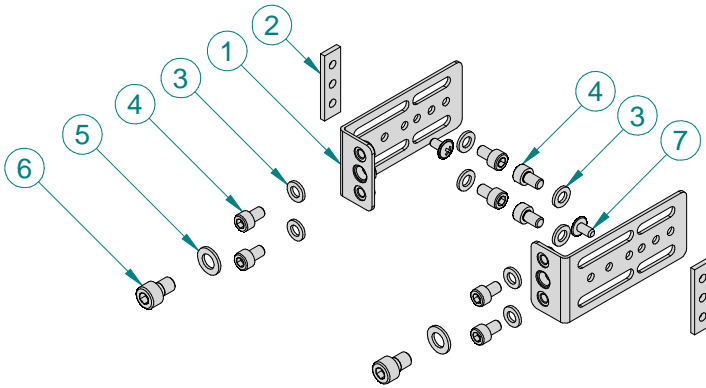


LG-V6R-B SET 001341201			
No.	Type ETI	Name	Pcs.
1	LG-V6R-B	Support	2
2	LG-V6R-KK	Support	2
3	LG-V6R-LN	Support	2
4	AN-FSH 6	Nut flange serat M6 DIN6923 Zn	2
5	AW-R 6	Washer M6 DIN126 Zn	2
6	AS-SH 6x10	Screw M6x10 DIN912	2
7	AST 4.8x9.5	Tapping screw	6

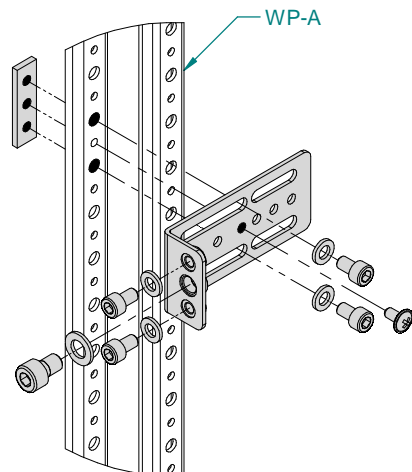
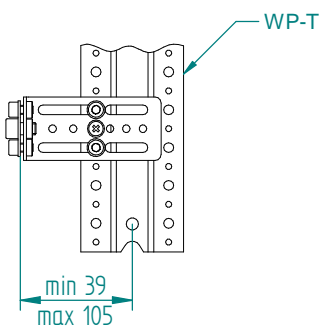


LG-T6-A SET

001341880

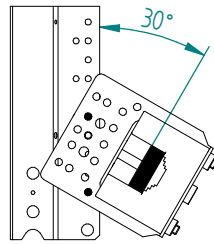
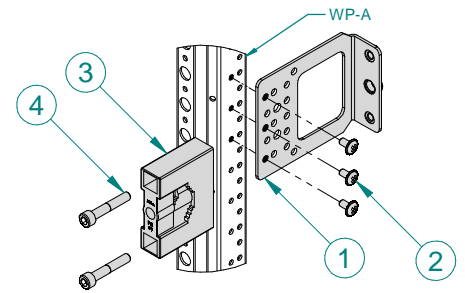
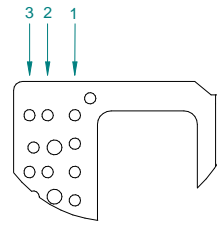
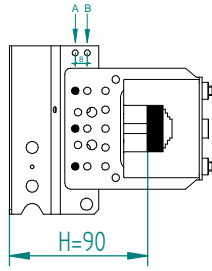
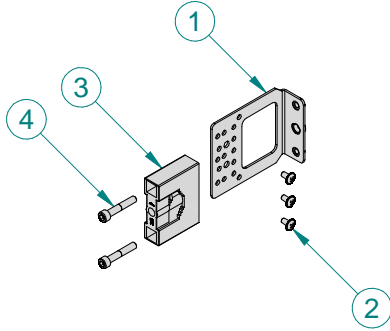


LG-T6-A SET 001341880			
No.	Type ETI	Name	Pcs.
1	LG-T6-A-C	Support	2
2	LG-T6-BLA	Support	2
3	AW-R 6	Washer M6 DIN126 Zn	8
4	AS-SH 6x10	Screw M6x10 DIN912	8
5	AW-R 8	Washer M8 DIN126 Zn	2
6	AS-SH 8x12	Screw M8x12 DIN912	2
7	AST 4.8x9.5	Tapping screw	2

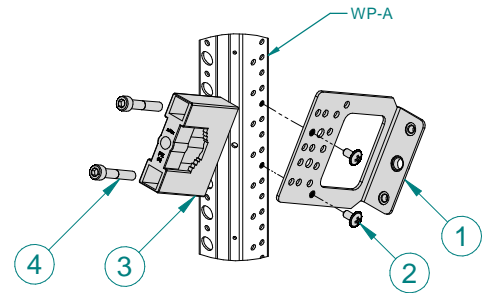


LG-B60-H P1 001341650

LG-B60-H P1 001341650			
No.	Type ETI	Name	Pcs.
1	LG-B60-H P1-C	Support	1
2	AST 4.8x9.5	Tapping screw	3
3	BBS-60/1	Busbar support	1
4	AS-SH 6x35	Screw M6x35 DIN912	2

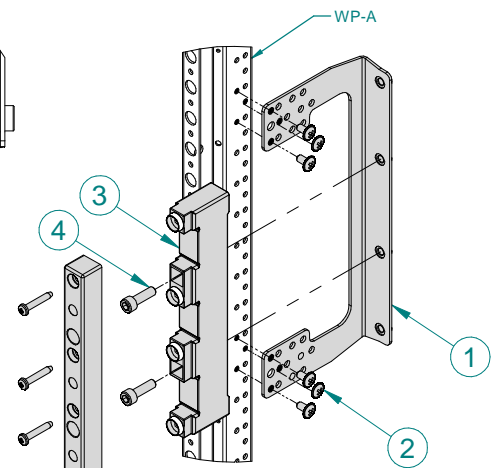
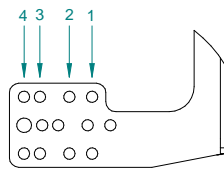
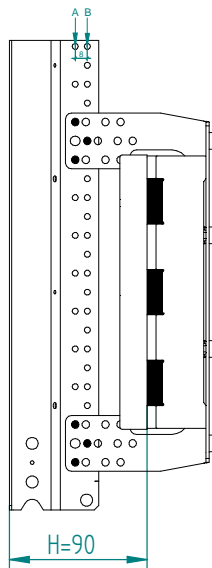
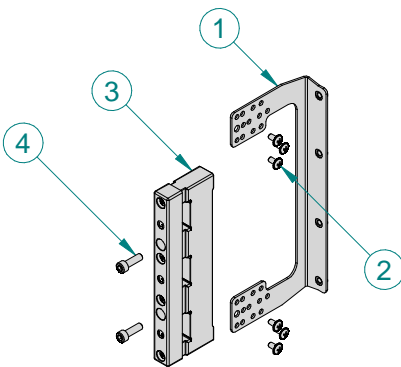


LG-B60-H P1		
Position	H	
1	70 mm	78 mm
2	83 mm	91 mm
3	90 mm	98 mm



LG-B60-H P3 001341651

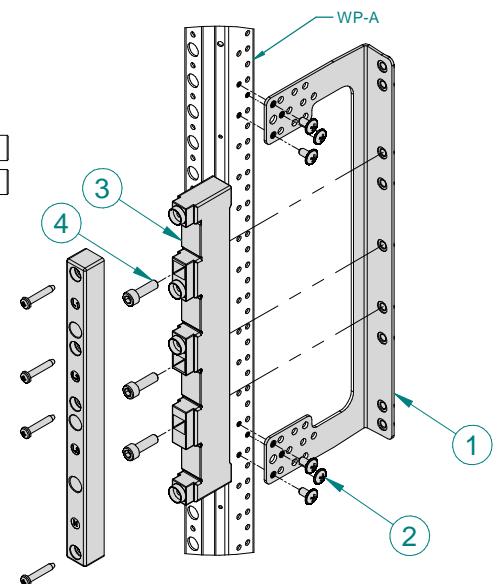
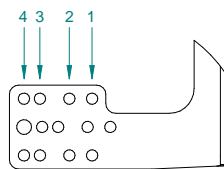
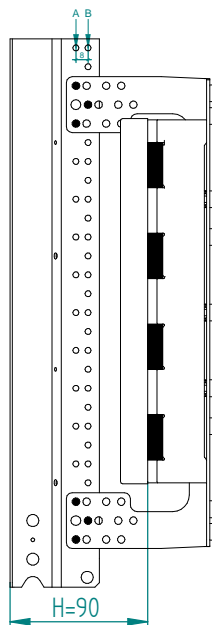
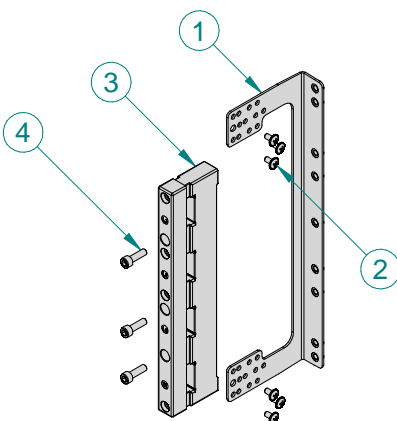
LG-B60-H P3 001341651			
No.	Type ETI	Name	Pcs.
1	LG-B60-H P3-C	Support	1
2	AST 4.8x9.5	Tapping screw	6
3	BBS-60/3	Busbar support	1
4	AS-SH 6x20	Screw M6x20 DIN912	2



LG-B60-H P3		
Position	H	
1	60 mm	68 mm
2	70 mm	78 mm
3	83 mm	91 mm
4	90 mm	98 mm

LG-B60-H P4 001341652

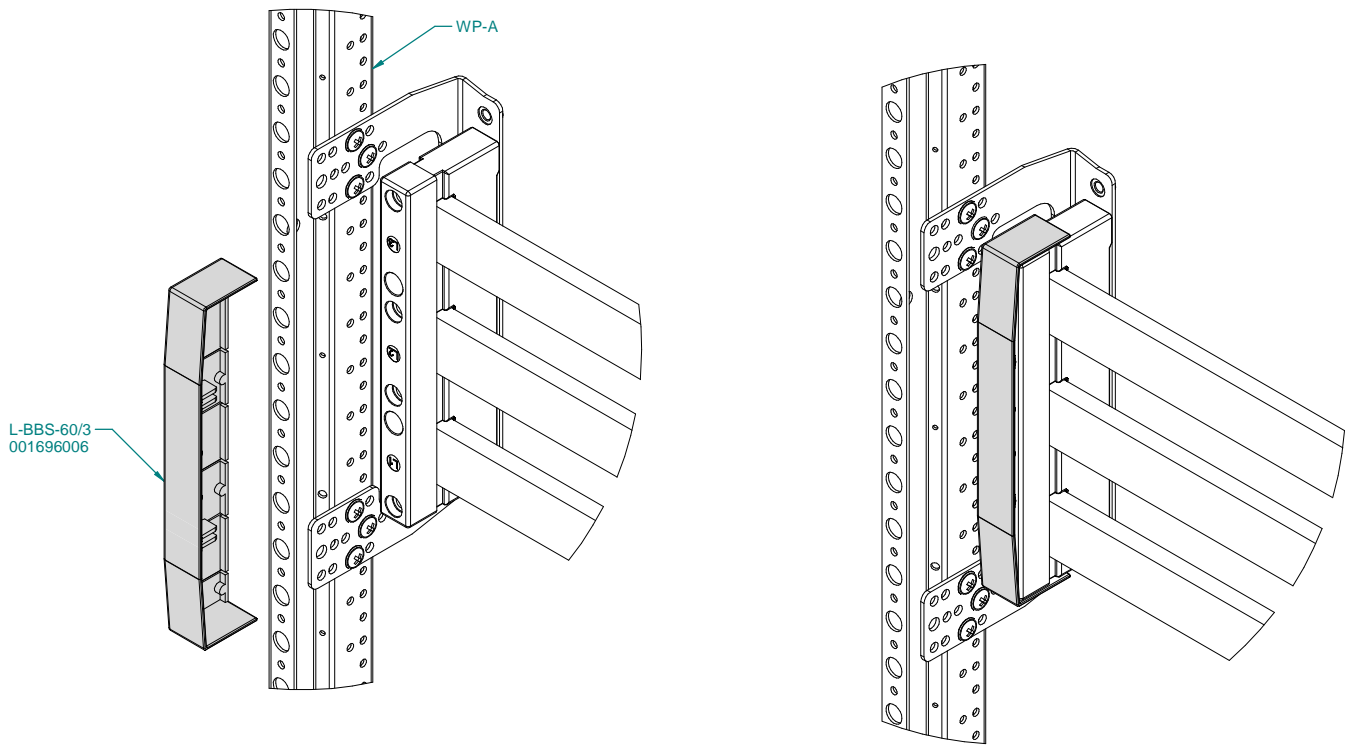
LG-B60-H P4 001341652			
No.	Type ETI	Name	Pcs.
1	LG-B60-H P4-C	Support	1
2	AST 4.8x9.5	Tapping screw	6
3	BBS-60/4	Busbar support	1
4	AS-SH 6x20	Screw M6x20 DIN912	3



LG-B60-H P4		
Position	H	
1	60 mm	68 mm
2	70 mm	78 mm
3	83 mm	91 mm
4	90 mm	98 mm

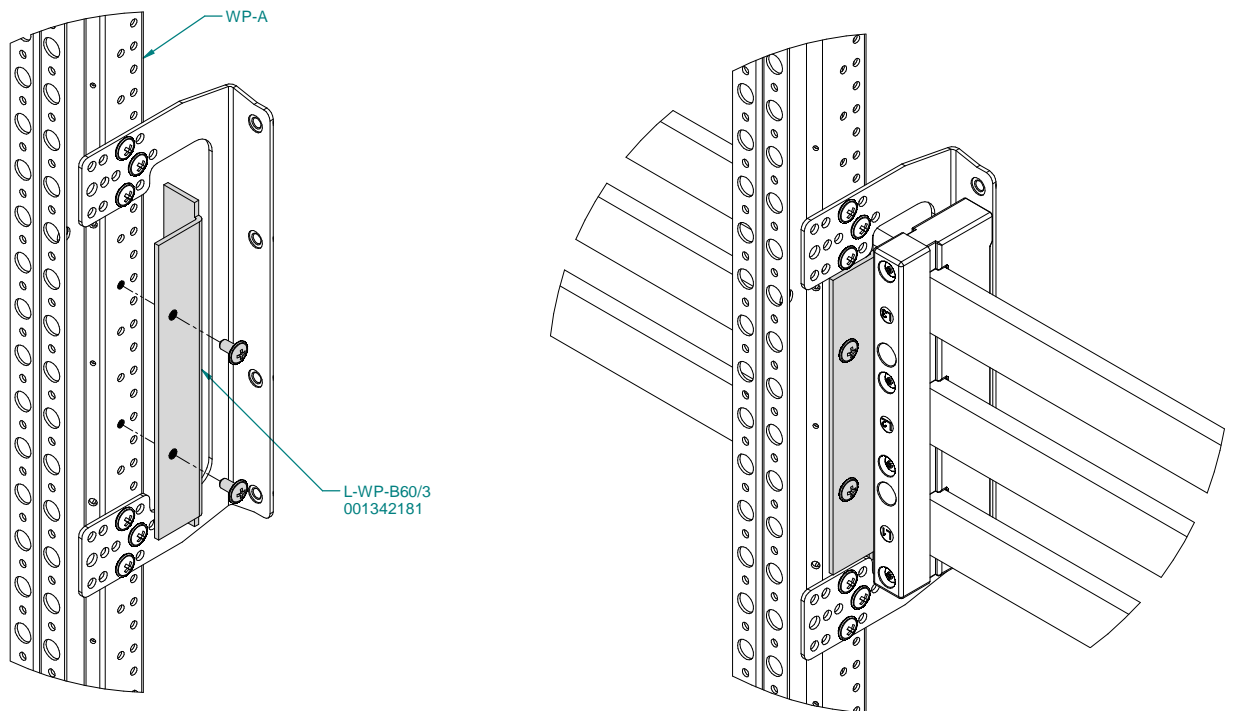
L-BBS-60/3

001696006



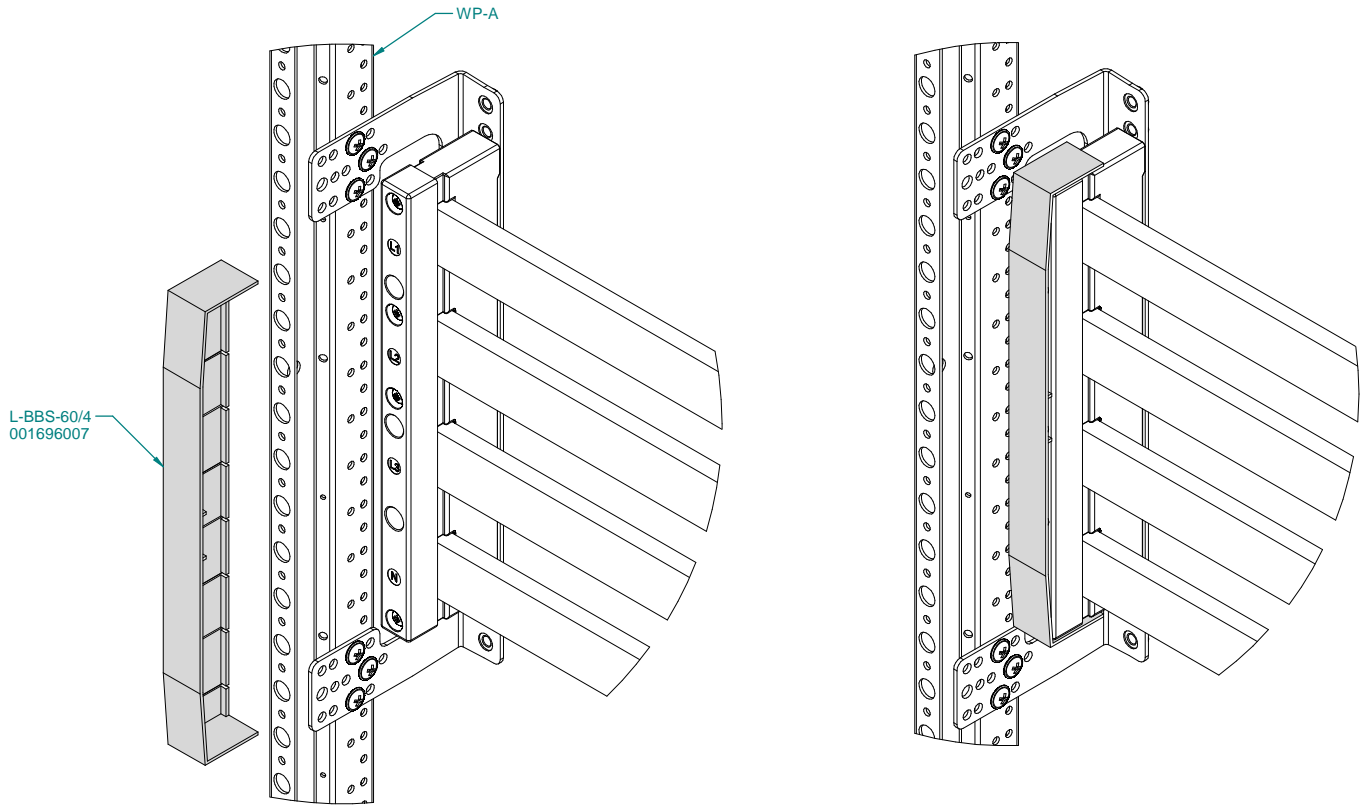
L-WP-B60/3

001342181



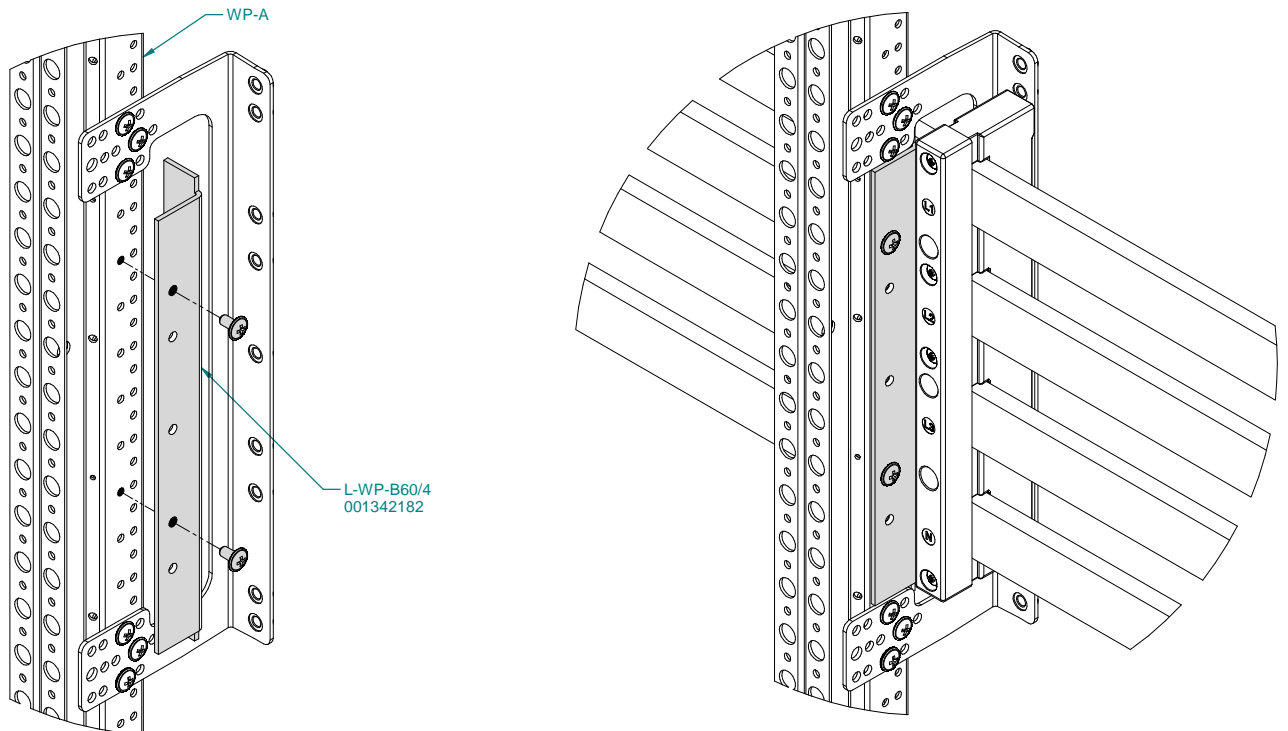
L-BBS-60/4

001696007



L-WP-B60/4

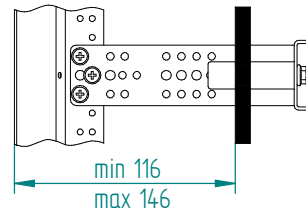
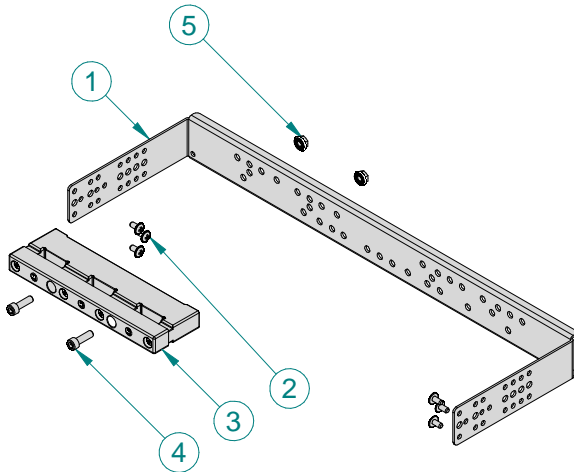
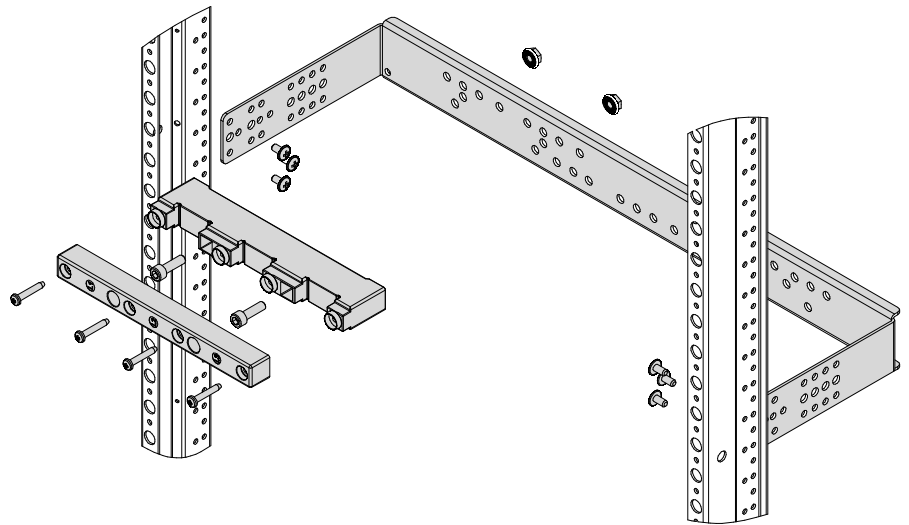
001342182



LG-B60-Vx P3

LG-B60-V1 P3 001341700			
No.	Type ETI	Name	Pcs.
1	LG-B60-V1-C	Holder	1
2	AST 4.8x9.5	Tapping screw	6
3	BBS-60/3	Busbar support	1
4	AS-SH 6x20	Screw M6x20 DIN912	2
5	AN-FSH 6	Nut flange serrat DIN6923 Zn	2

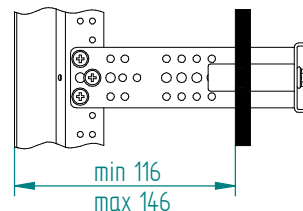
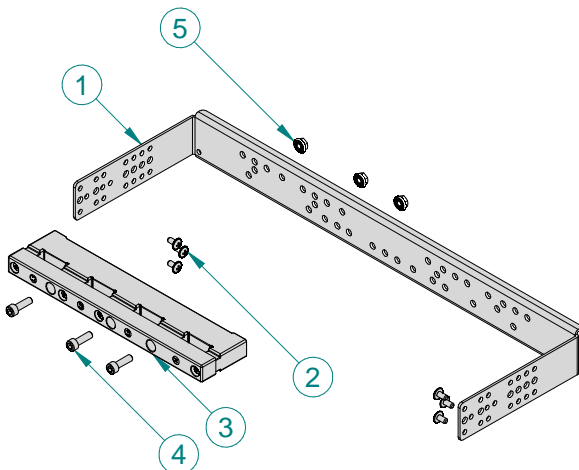
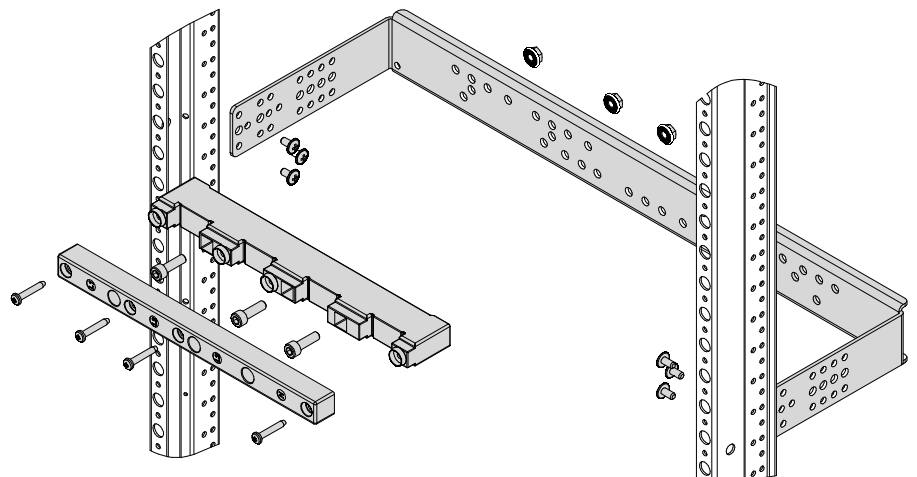
LG-B60-V2 P3 001341702			
No.	Type ETI	Name	Pcs.
1	LG-B60-V2-C	Holder	1
2	AST 4.8x9.5	Tapping screw	6
3	BBS-60/3	Busbar support	1
4	AS-SH 6x20	Screw M6x20 DIN912	2
5	AN-FSH 6	Nut flange serrat DIN6923 Zn	2



LG-B60-V2 P4

001341704

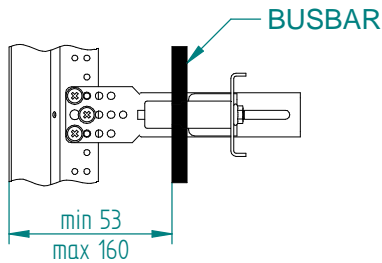
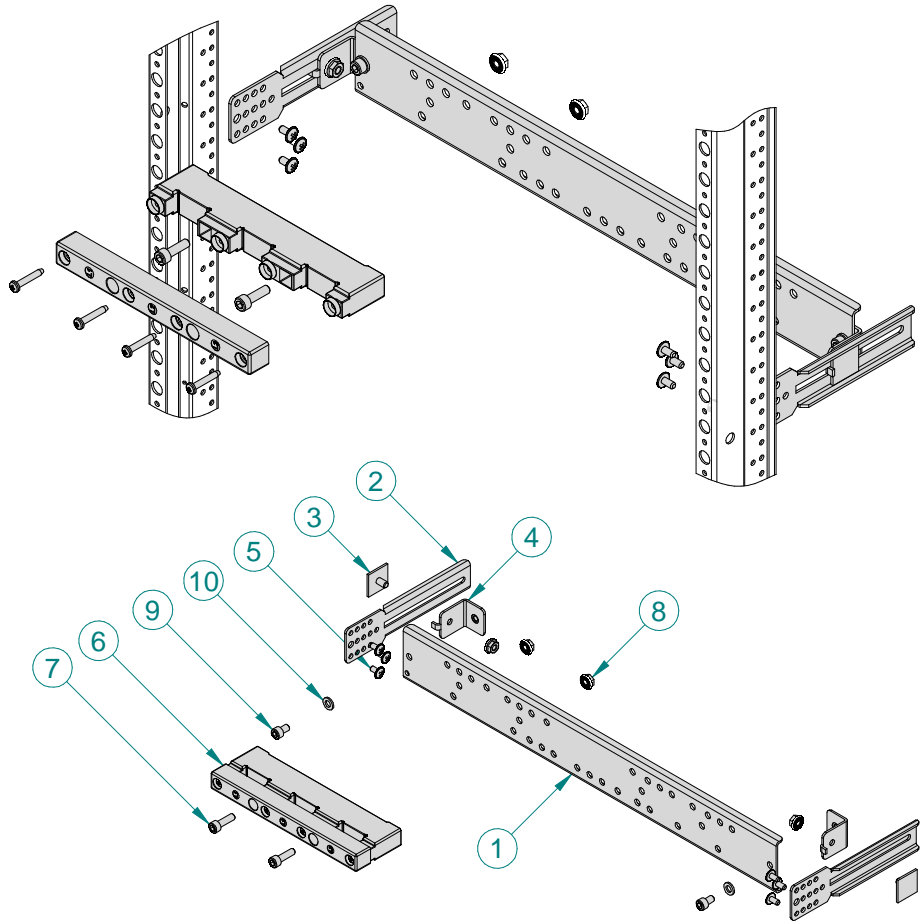
LG-B60-V2 P4 001341704			
No.	Type ETI	Name	Pcs.
1	LG-B60-V2-C	Holder	1
2	AST 4.8x9.5	Tapping screw	6
3	BBS-60/4	Busbar support	1
4	AS-SH 6x20	Screw M6x20 DIN912	3
5	AN-FSH 6	Nut flange serrat DIN6923 Zn	3



LG-B60-VxR P3

LG-B60-V1R P3 001341750			
No.	Type ETI	Name	Pcs.
1	LG-B60-BEL-1	Holder	1
2	LG-V6R-B	Support	2
3	LG-V6R-KK	Support	2
4	LG-V6R-LN	Support	2
5	AST 4.8x9.5	Tapping screw	6
6	BBS-60/3	Busbar support	1
7	AS-SH 6x20	Screw M6x20 DIN912	2
8	AN-FSH 6	Nut flange serrat DIN6923 Zn	4
9	AS-SH 6x10	Screw M6x10 DIN912	2
10	AW-RE 6	Washer M6 DIN9021 Zn	2

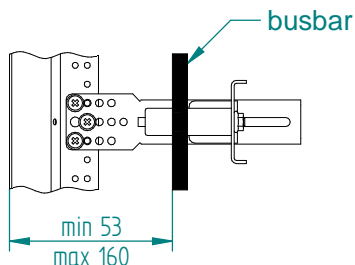
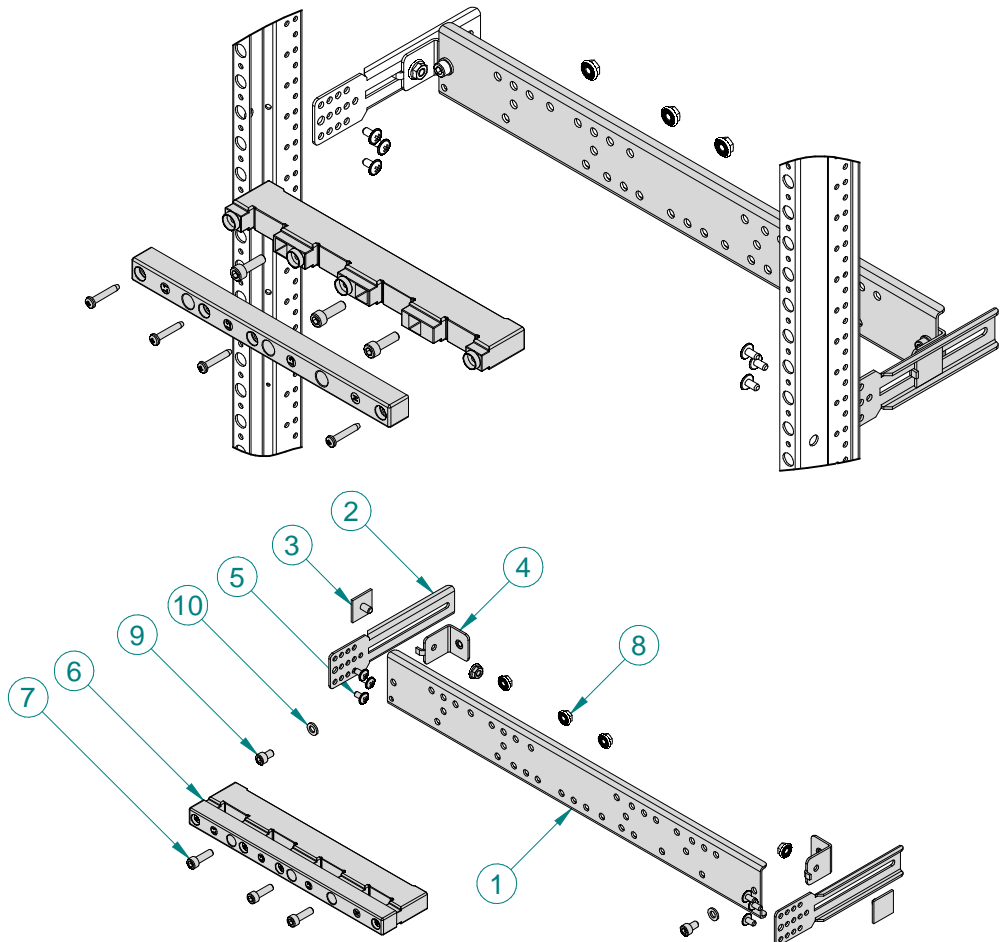
LG-B60-V2R P3 001341752			
No.	Type ETI	Name	Pcs.
1	LG-B60-BEL-2	Holder	1
2	LG-V6R-B	Support	2
3	LG-V6R-KK	Support	2
4	LG-V6R-LN	Support	2
5	AST 4.8x9.5	Tapping screw	6
6	BBS-60/3	Busbar support	1
7	AS-SH 6x20	Screw M6x20 DIN912	2
8	AN-FSH 6	Nut flange serrat DIN6923 Zn	4
9	AS-SH 6x10	Screw M6x10 DIN912	2
10	AW-RE 6	Washer M6 DIN9021 Zn	2



LG-B60-V2R P4

001341754

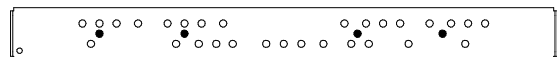
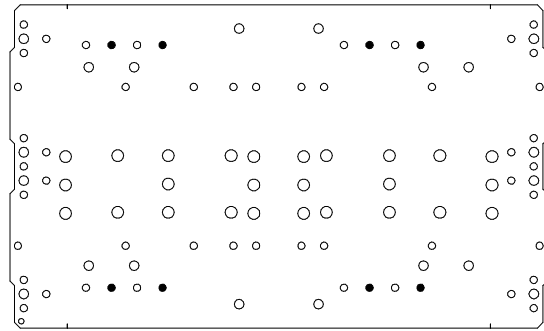
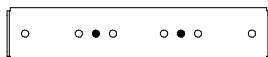
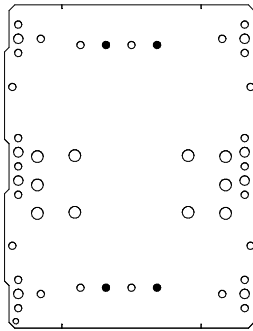
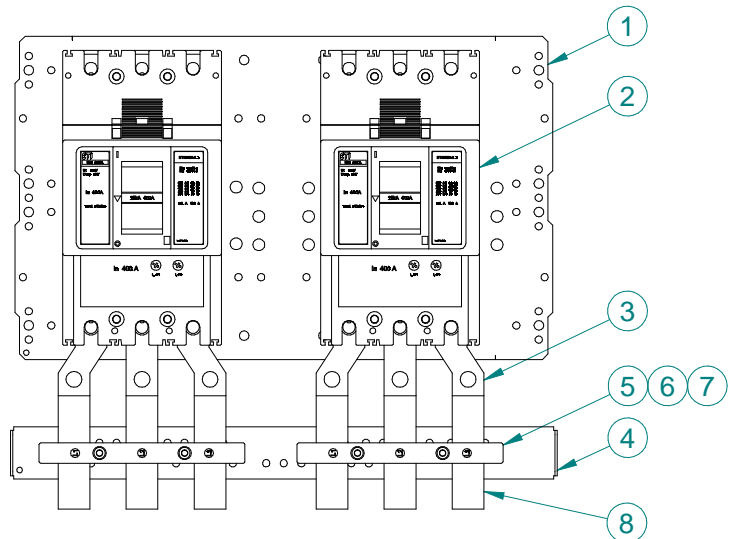
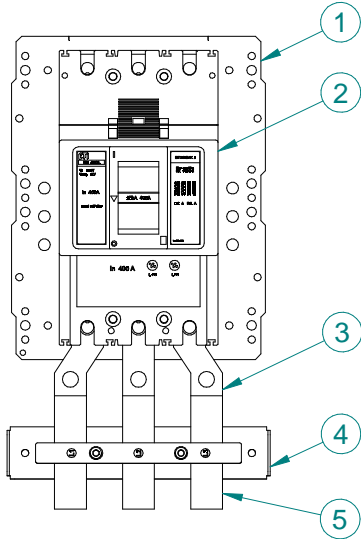
LG-B60-V2 P4 001341704			
No.	Type ETI	Name	Pcs.
1	LG-B60-BEL-2	Holder	1
2	LG-V6R-B	Support	2
3	LG-V6R-KK	Support	2
4	LG-V6R-LN	Support	2
5	AST 4.8x9.5	Tapping screw	6
6	BBS-60/4	Busbar support	1
7	AS-SH 6x20	Screw M6x20 DIN912	3
8	AN-FSH 6	Nut flange serrat DIN6923 Zn	5
9	AS-SH 6x10	Screw M6x10 DIN912	2
10	AW-RE 6	Washer M6 DIN9021 Zn	2



EB2/ED2 (400, 630 A) 3P

No.	Type ETI	Pcs.
1	PM 1 ELS46 K1	1
2	EB2/ED2 (400, 630 A) 3P	1
3	ZB2 (3P)	1
4	LG-B60-V1 P3 (LG-B60-V1R P3)	1
5	busbar	3

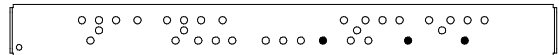
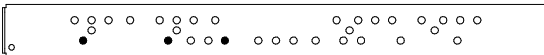
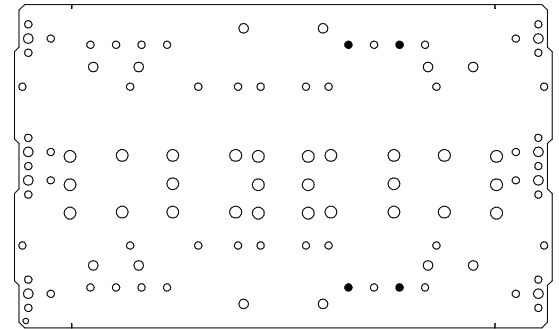
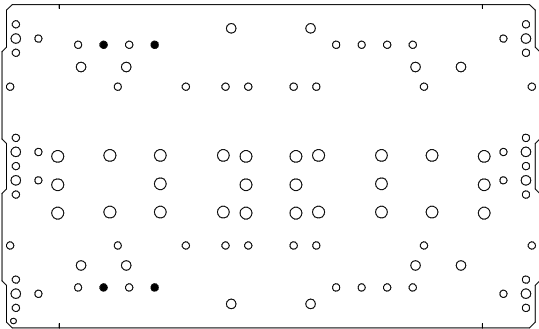
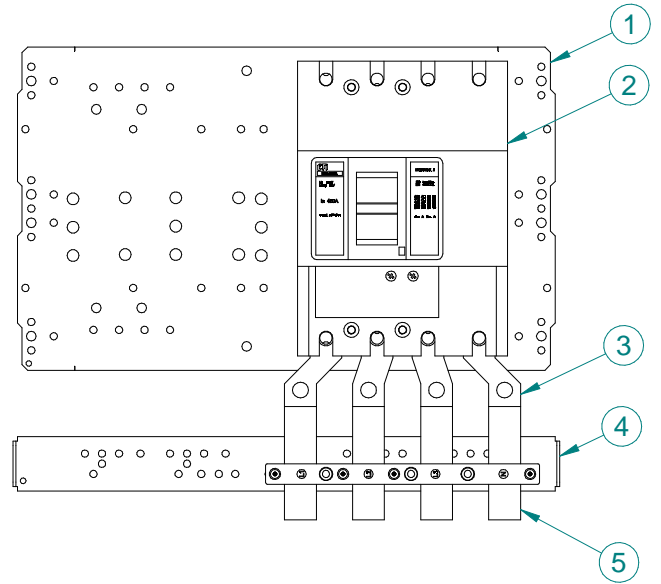
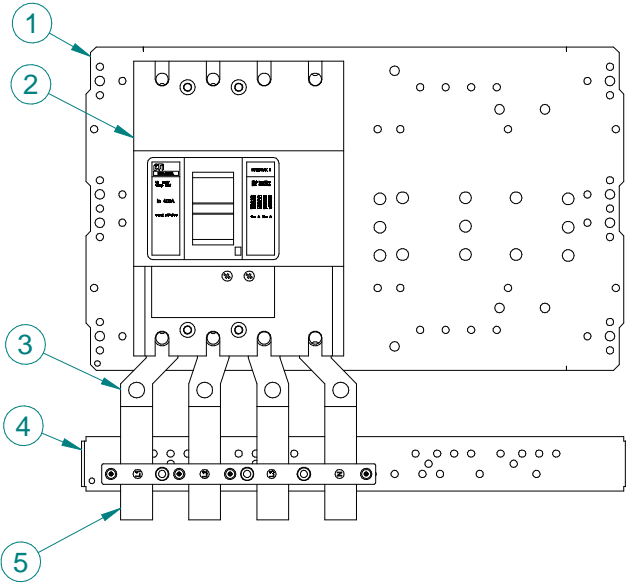
No.	Type ETI	Pcs.
1	PM 2 ELS46 K123	1
2	EB2/ED2 (400, 630 A) 3P	2
3	ZB2 (3P)	2
4	LG-B60-V2 P3 (LG-B60-V2R P3)	1
5	BBS-60/3	1
6	AS-SH 6x20	2
7	AN-FSH 6	2
8	busbar	3



EB2/ED2 (400, 630 A) 4P

No.	Type ETI	Pcs.
1	PM 2 ELS46 K123	1
2	EB2/ED2 (400, 630 A) 4P	1
3	ZB2 (4P)	1
4	LG-B60-V2 P4 (LG-B60-V2R P4)	1
5	busbar	4

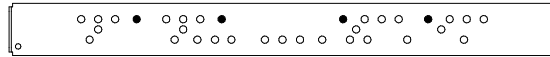
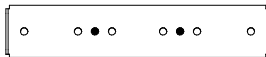
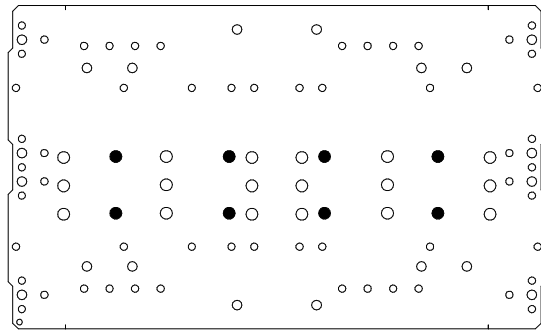
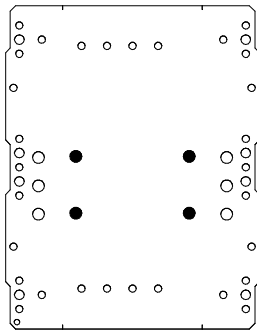
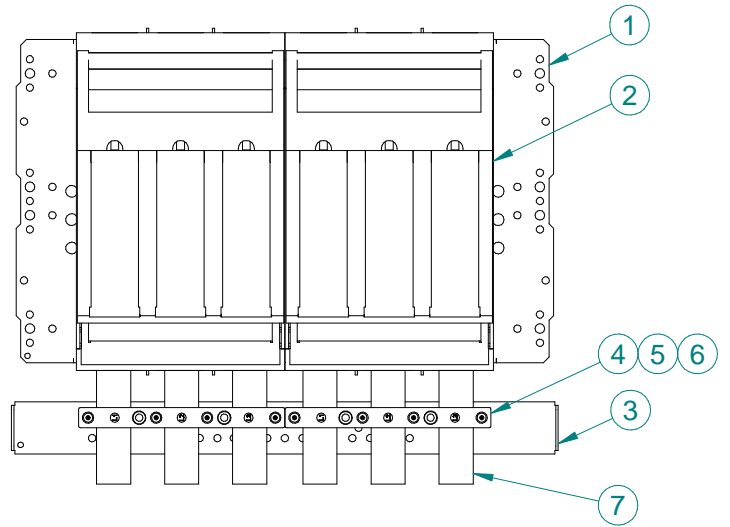
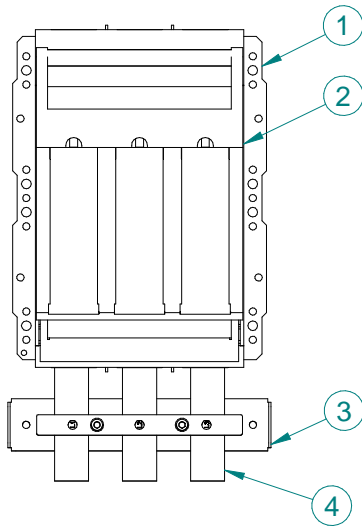
No.	Type ETI	Pcs.
1	PM 2 ELS46 K123	1
2	EB2/ED2 (400, 630 A) 4P	1
3	ZB2 (4P)	1
4	LG-B60-V2 P4 (LG-B60-V2R P4)	1
5	busbar	4



KVL-1 3P

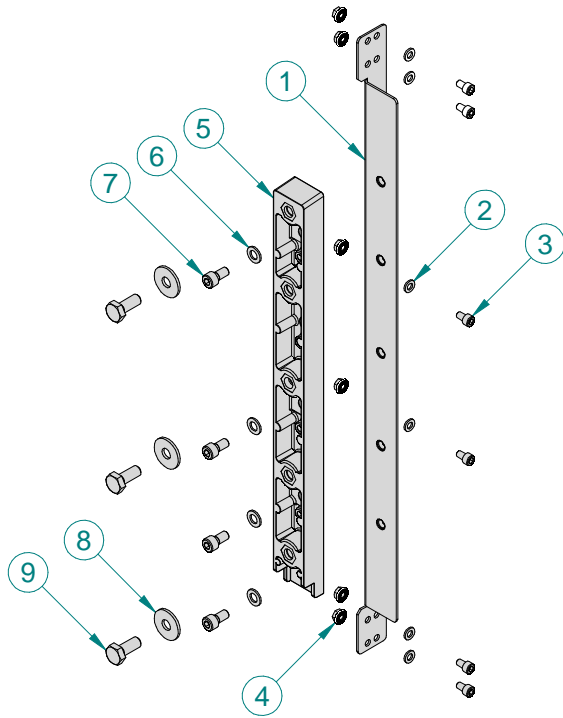
No.	Type ETI	Pcs.
1	PM 1 ELS46 K1	1
2	KVL-1 3P	1
3	LG-B60-V1 P3 (LG-B60-V1R P3)	1
4	busbar	3

No.	Type ETI	Pcs.
1	PM 2 ELS46 K123	1
2	KVL-1 3P	2
3	LG-B60-V2 P3 (LG-B60-V2R P3)	1
4	BBS-60/3	1
5	AS-SH 6x20	2
6	AN-FSH 6	2
7	busbar	3

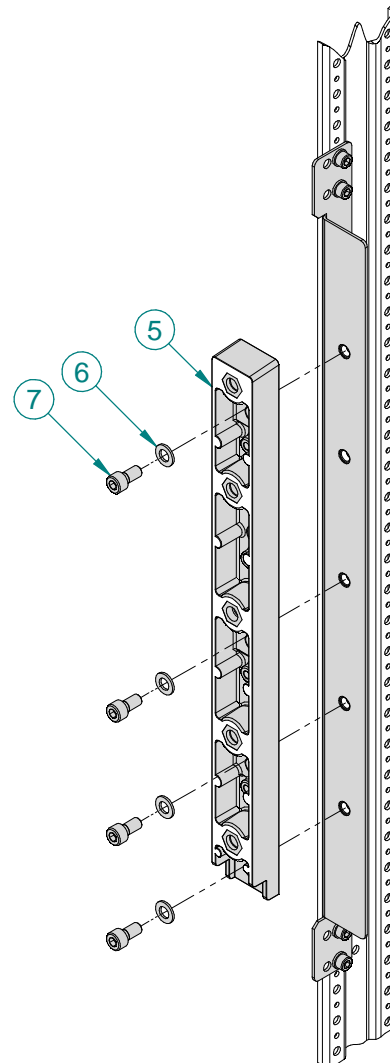
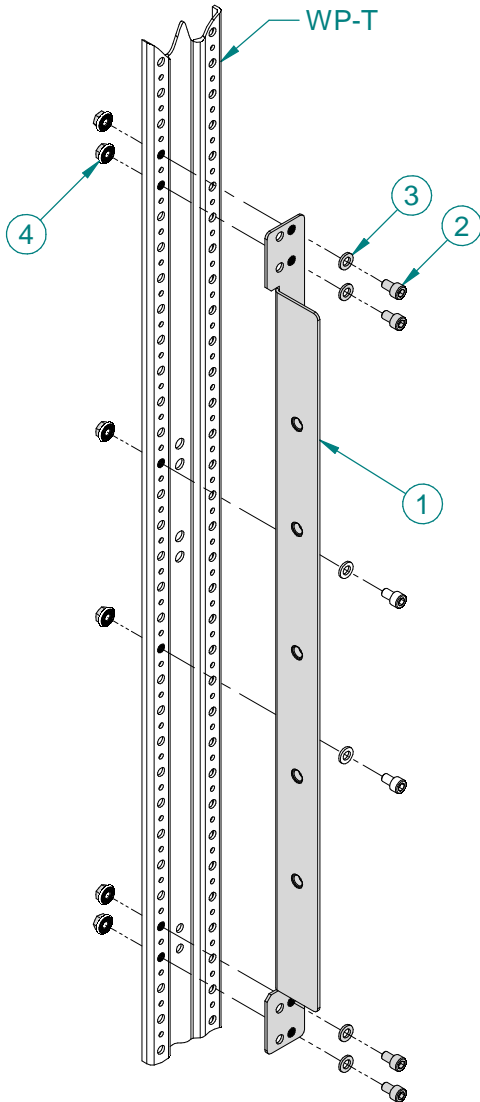


LG-T-B185-H P3

001341850



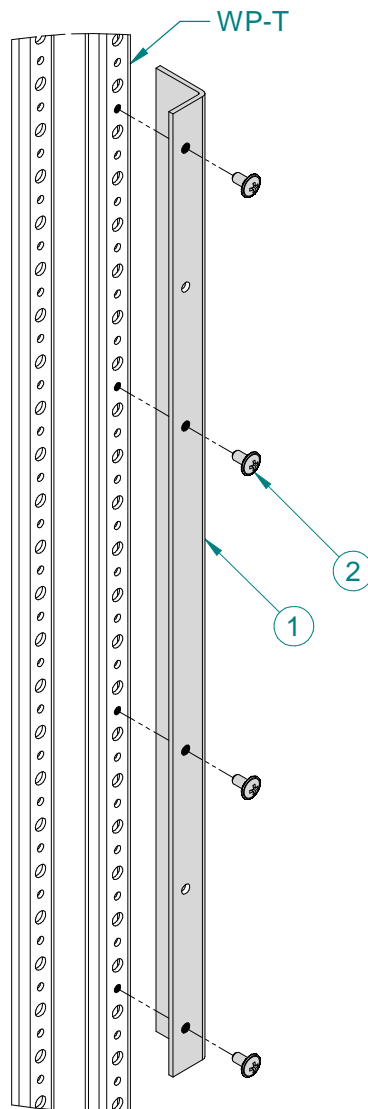
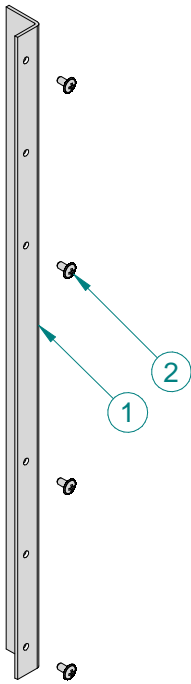
LG-T-B185-H P3 001341850			
No.	Type ETI	Name	Pcs.
1	LG-T-B185-H-P3-C	Support	1
2	AW-R 6	Washer M6 DIN126 Zn	6
3	AS-SH 6x10	Screw M6x10 DIN912	6
4	AN-FSH 6	Nut flange serrat DIN6923 Zn	6
5	POP 100/185	Support	1
6	AW-R 8	Washer M8 DIN126 Zn	4
7	AS-SH 8x16	Screw M8x16 DIN912	4
8	AW-RE 10	Washer M10 DIN9021 Zn	3
9	AS-H 10x25	Screw M10x25 DIN933 Zn	3



ZP POP-WP

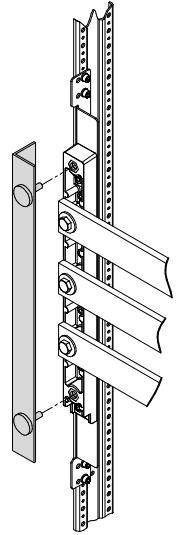
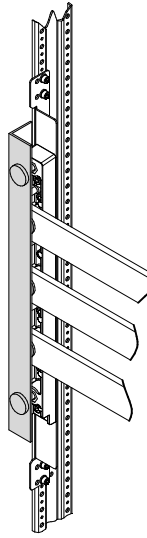
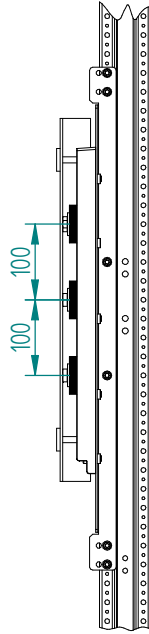
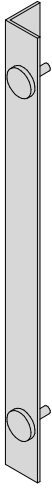
001342180

ZP POP-WP 001342180			
No.	Type ETI	Name	Pcs.
1	ZP-POP-WP-C	Insulator	1
2	AST 4.8x9.5	Tapping screw	4



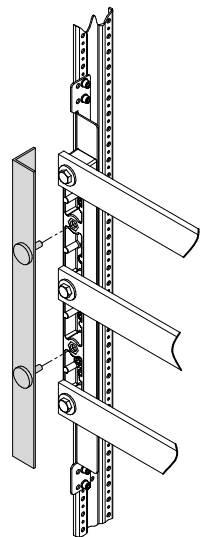
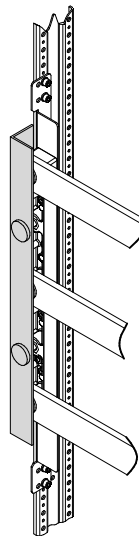
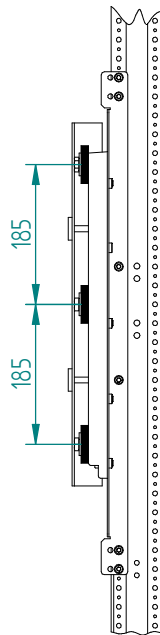
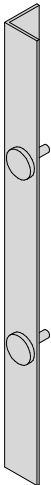
ZP POP 100

001691056



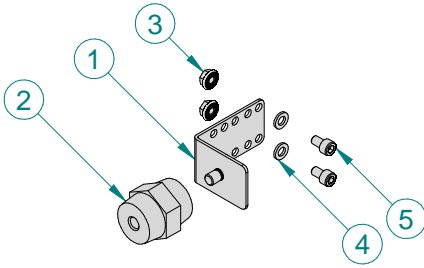
ZP POP 185

001691057

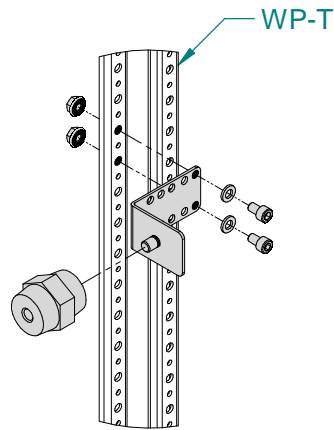


LG-T-INH1-A

001341851

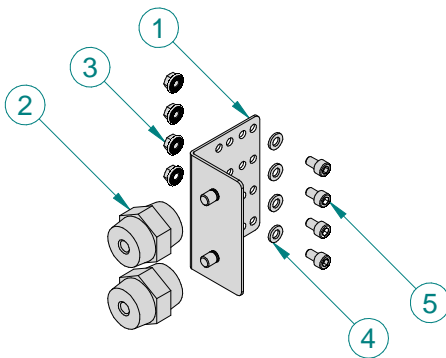


LG-T-INH1-A 001341851			
No.	Type ETI	Name	Pcs.
1	LG-T-INH1-A-C	Holder	1
2	INS 40840	Insulator	1
3	AW-R 6	Washer M6 DIN126 Zn	2
4	AS-SH 6x10	Screw M6x10 DIN912	2
5	AN-FSH 6	Nut flange serrat DIN6923 Zn	2

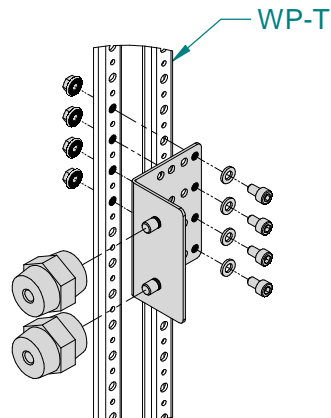


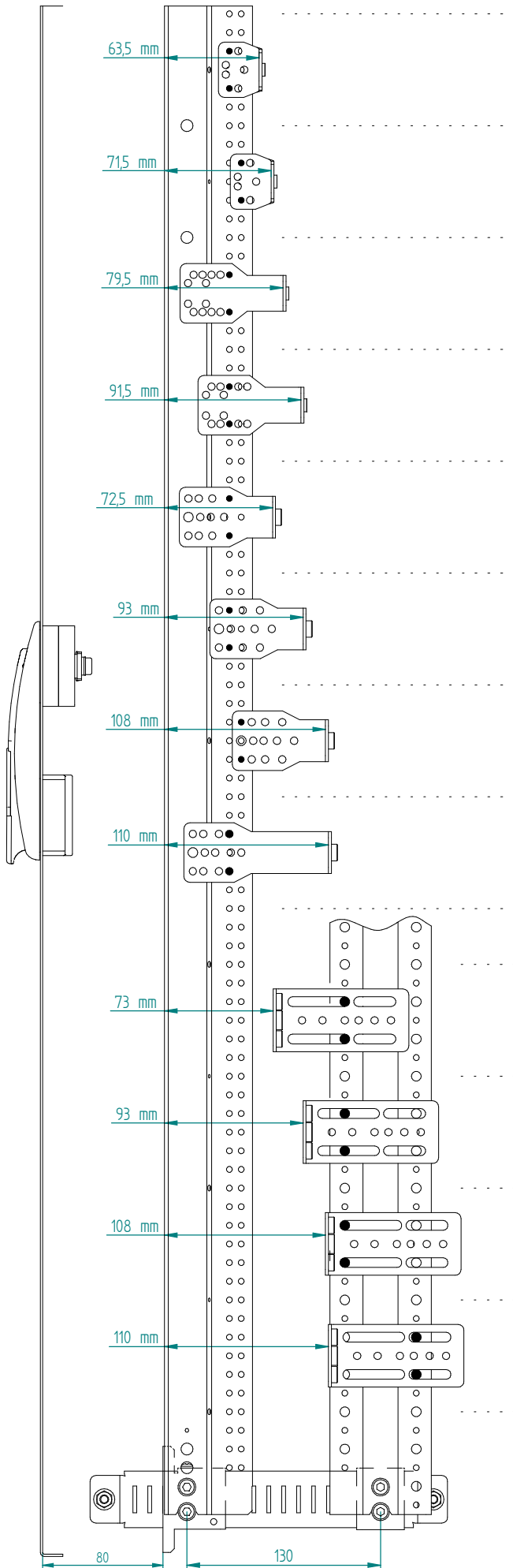
LG-T-INH2-A

001341852



LG-T-INH2-A 001341852			
No.	Type ETI	Name	Pcs.
1	LG-T-INH2-A-C	Holder	2
2	INS 40840	Insulator	2
3	AW-R 6	Washer M6 DIN126 Zn	4
4	AS-SH 6x10	Screw M6x10 DIN912	4
5	AN-FSH 6	Nut flange serrat DIN6923 Zn	4





LG-V	MODULAR DIN-RAIL DEVICES EB2/ED2 125 EB2/ED2 160/250 KVL 00
LG-V	EB2/ED2 125 EB2/ED2 160/250
LG-V5	LBS 160
LG-V5	LBS 250
LG-V6-B	KVL 1
LG-V6-B	KVL 2, KVL 3
LG-V6-B	EB2 400/630
LG-V6-D	LBS 400/630

LG-T6-A	KVL 1
LG-T6-A	KVL 2, KVL 3
LG-T6-A	EB2 400/630
LG-T6-A	LBS 400/630